

wilfa



INNOBOT

ROBOT VACCUUM RVC-D4000SL, RVC-D4000SL+, RVC-4000AI

EN · Instruction manual

DE · Anleitung

NO · Bruksanvisning

NL · Instructies

SE · Bruksanvisning

PL · Instrukcje

DK · Betjeningsvejledning

FR · Instructions

FI · Käyttöohje

READ ALL INSTRUCTIONS BEFORE USE

EN

LES ALLE ANVISNINGER FØR BRUK

NO

LÄS IGENOM ALLA INSTRUKTIONER INNAN PRODUKTEN ANVÄNDS

SE

LÆS ALLE VEJLEDNINGER INDEN BRUG

DK

LUE OHJEET HUOLELLISESTI ENNEN KÄYTTÖÄ

FI

LESEN SIE DIE ANLEITUNG VOR DEM GEBRAUCH GRÜNDLICH DURCH

DE

LEES VÓÓR GEBRUIK ALLE INSTRUCTIES

NL

PRZED UŻYCIEM ZAPOZNAĆ SIĘ ZE WSZYSTKIMI ZALECENIAMI

PL

PRENEZ CONNAISSANCE DE TOUTES LES INSTRUCTIONS AVANT UTILISATION

FR

EN

CONTENTS

6	IMPORTANT SAFETY INSTRUCTIONS
8	BATTERY AND CHARGING
9	INSTRUCTIONS ON ENVIRONMENTAL PROTECTION
10	SYSTEM DISCLAIMER
11	PRODUCT OVERVIEW – GENERAL
12	PRODUCT OVERVIEW – VACUUM CLEANER
13	PRODUCT OVERVIEW – DETAILED
14	PRODUCT OVERVIEW – LIGHTS AND BUTTONS
15	INSTALLATION
17	APP USE
18	MAINTENANCE AND CLEANING
21	TROUBLESHOOTING
23	FAULT MESSAGES
26	GUARANTEE
27	PRODUCT SPECIFICATIONS
27	SUPPORT AND SPARE PARTS
27	RECYCLABILITY

IMPORTANT SAFETY INSTRUCTIONS

- This appliance can be used by children aged from 8 years and above and persons with reduced physical, sensory or mental capabilities or lack of experience and knowledge if they have been given supervision or instruction concerning use of the appliance in a safe way and understand the hazards involved. Children shall not play with the appliance. Cleaning and user maintenance shall not be made by children without supervision.
- This product is only used for floor cleaning in home environment, and should not be used in outdoor, non-floor, commercial or industrial environment.
- Do not let children play with the machine. Please supervise children and pets to keep them as far away as possible when the machine works.
- If the power cord is damaged, it must be replaced with a special cord or a special component purchased from its manufacturer or maintenance department.
- Do not let children, pets sit on the machine at any time.
- Do not handle this robot by using the protective cover of laser radar as handle.
- Do not use it in suspended environments without

protective fences (such as duplex floors, open balconies and furniture tops).

- Do not use it in an environment where the temperature is higher than 35°C lower than 0°C or there are any liquids and sticky objects on the ground.
- Do not use it to clean any burning objects.
- Before use, please arrange and fold the wires on the floor in case of any obstruction that blocks the machine movement.
- Please put away fragile objects and sundries (such as vases and plastic bags, etc.) on the ground, to avoid damage to valuables at home when the machine is blocked during operation or slightly collided.
- Do not use the mopping mode on the carpet. When mopping the floor, please set up virtual walls or forbidden zones in the carpet area.
- Do not let the machine absorb hard objects or sharp objects (such as decoration waste, glass and nails, etc.).
- Please clean and maintain the appliance and base in power-off state.

EN

- Do not turn the machine upside down on the ground for a long time.
- If products need to be transported, please make sure that the machine is turned off, and it is recommended to use the original packaging box for packaging protection.

BATTERY AND CHARGING

- Do not use any third-party battery, power cord or base.
- Do not disassemble, repair or modify the battery or base without permission.
- Do not place the auto-clean base near the heat source (such as radiator, etc.).
- Before scrapping the machine, the power supply must be disconnected, and the battery should be taken out of the machine.
- If it is not used for a long time, please turn off the machine after being fully charged and put it in a cool and dry place.
- It is recommended to charge at least once a month.

INSTRUCTIONS ON ENVIRONMENTAL PROTECTION

The following information is only applicable when discarding this robot, and is not a daily operation instruction:


Chemical substances contained in the built-in lithium-ion battery of this product will pollute the environment. Please remove the battery before you discard the machine, and hand it over to a professional battery recycling station for centralized disposal.

Steps to disassemble the battery:

1. Let the robot run until it is low in power and cannot be cleaned without touching the auto-clean base.
2. Turn the robot off.
3. Disassemble the bottom shell of the robot.
4. Press the buckle and pull out the connector plug of the battery, then take out the battery.
5. Remove the battery cover plate and take the battery out.

NOTE:

- When disassembling the battery, make sure that the battery is exhausted and operated away from the base.

- Please disassemble the whole battery pack together, and do not damage the battery pack casing, in case of short circuit or leakage of dangerous substances.
- If you touch battery fluid, please rinse with plenty of water and get medical assistance immediately.
- This appliance contains batteries that are only replaceable by skilled persons.
- **WARNING!** For the purposes of recharging the battery, only use the detachable supply unit provided with this appliance.
- Only use with RVCD-D17 or D4000 supply unit.
- Detachable supply unit 

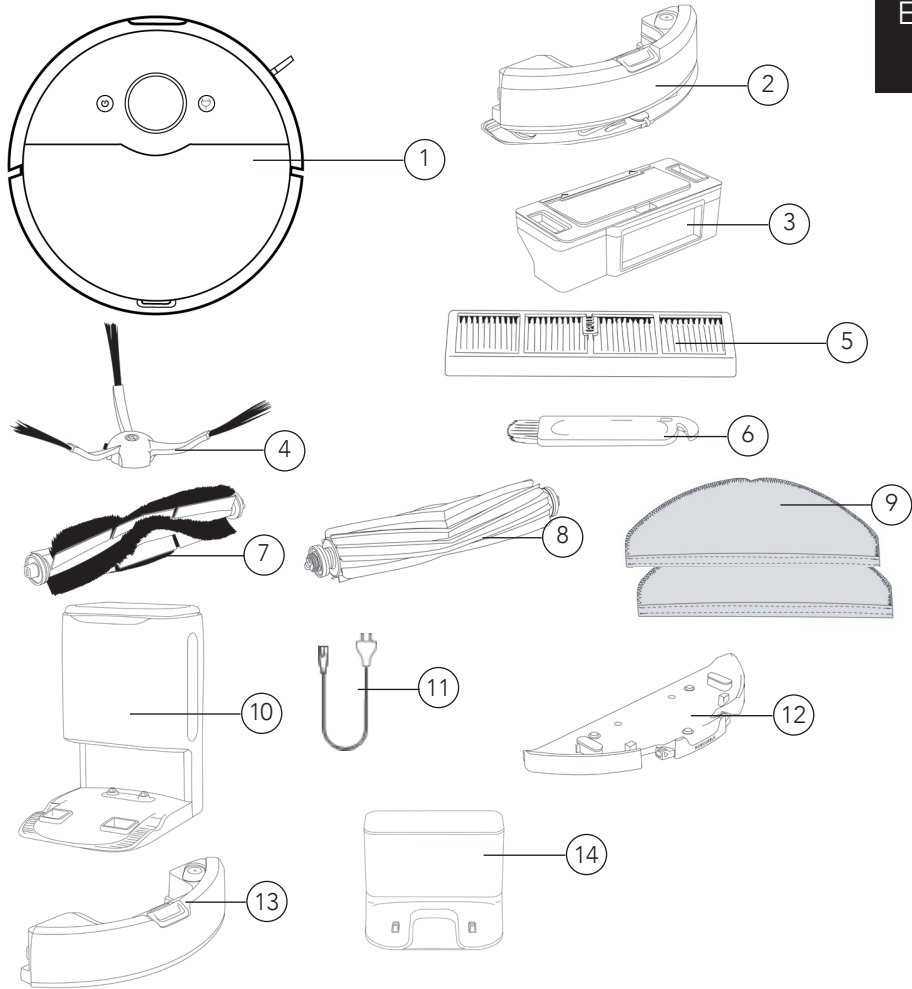
SYSTEM DISCLAIMER

The list of smartphone types in the market is long and increasing. System performance can vary for different combinations of the operating system and how it is implemented in the phone model. Alterations from industry can have an impact too. Therefore, although we expect good performance in most cases, the expected performance of the app is not guaranteed. Although the app most likely will work for a long time with older hardware and software versions you need to keep your phone's operations systems updated to be sure to get the app fully functional.

Minimum requirement of January 2023:

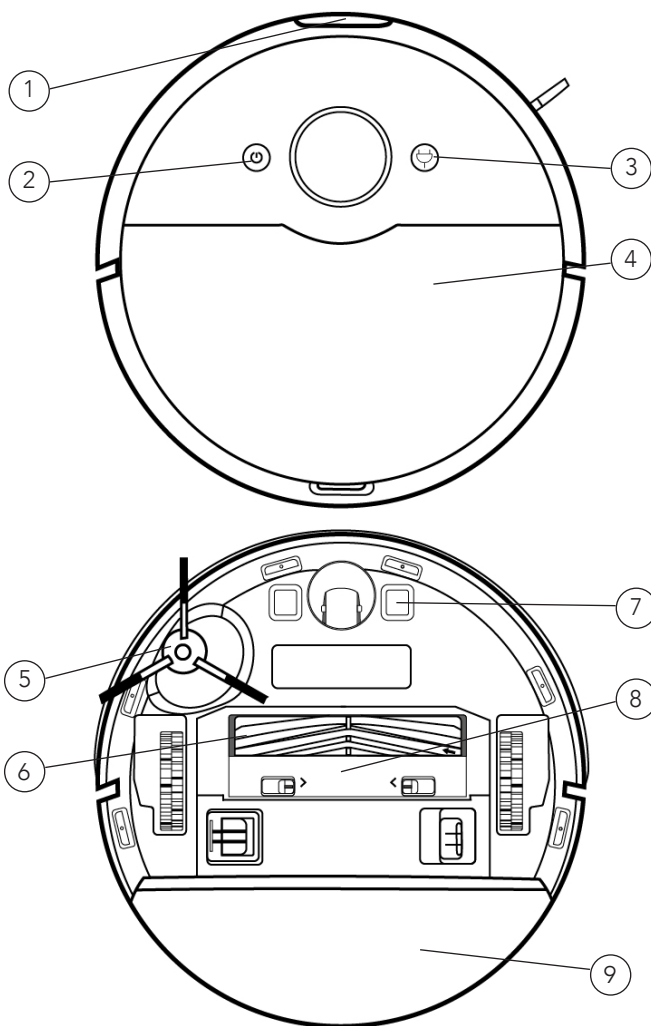
- iOS 14.00
- Android 10.0

PRODUCT OVERVIEW – GENERAL



- | | |
|---|--|
| <p>1. Robot vacuum cleaner
Accessories:</p> <p>2. Vibrating Water tank</p> <p>3. Dust box</p> <p>4. Side brush</p> <p>5. Filter screen</p> <p>6. Cleaning tool</p> <p>7. All-round brush</p> <p>8. Rubber brush</p> | <p>9. Wet-mop</p> <p>10. Automatic dustbin (included in RVC-D4000SL+) (Can be bought separately)</p> <p>11. Power cord</p> <p>12. Removable mop-plate</p> <p>13. Water tank.</p> <p>14. Charging station D4000</p> |
|---|--|

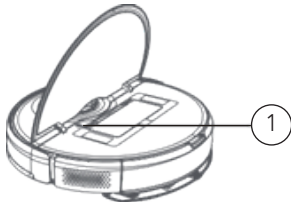
PRODUCT OVERVIEW – VACUUM CLEANER



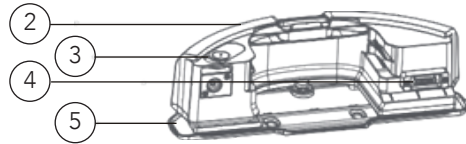
- | | | | |
|----|-----------------|----|---------------------|
| 1. | Sensor | 6. | Main brush |
| 2. | ON/Off button | 7. | Charging electrodes |
| 3. | Recharge button | 8. | Main brush cover |
| 4. | Cover | 9. | Wet-mop holder |
| 5. | Side brush | | |

PRODUCT OVERVIEW – DETAILED

ROBOT

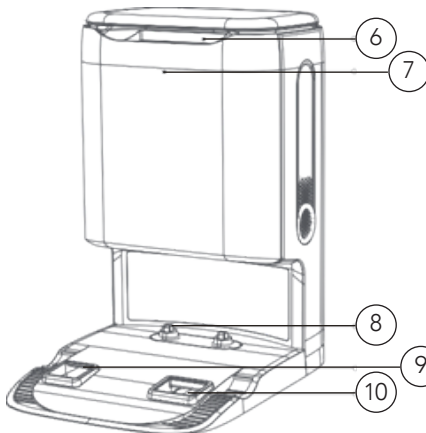


VIBRATING WATER TANK

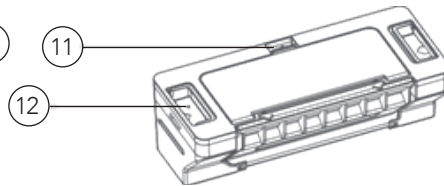


AUTO-EMPTY STATION

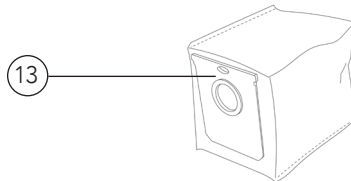
(Included in RVC-D4000SL+ or buy separately)



DUSTBOX





DUSTBAG



- 1. Reset
- 2. Fastener
- 3. Water inlet
- 4. Water tank metal pole
- 5. Wet-mop
- 6. Filter screen
- 7. Indicator

- 8. Charging electrode
- 9. Air outlet
- 10. Dust inlet
- 11. Fastener
- 12. Lock
- 13. Dust bag

PRODUCT OVERVIEW – LIGHTS AND BUTTONS

Blue light is always on	Standby / Normal operation / Wi-Fi is connected
Blue light breaths	Charging, power is more than 20%
Blue light flashes	Firmware upgrade in progress / Restoring factory settings / Connecting to the network
Yellow light is always on	WIFI is offline
Yellow light breaths	Charging, power is lower than 20%
Yellow light flashes	Recharging
Red light flashes	Abnormal state
 On/Off button	Long press for 3s, power on or power off. Short press, start or pause.
 Recharging button	In operation state, short press, robot pauses cleaning. In pause state, short press start recharging. In charging state, short press to stop recharging.

INSTALLATION


To install the charging station, place it against the wall, and connect the power cord. Make sure there is enough space in front and on the sides of the charger.

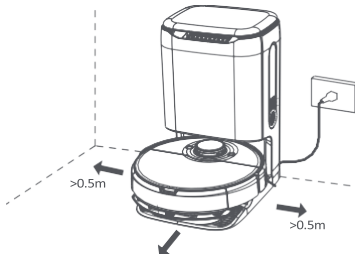
To install the auto-empty station. Place the dustbin against the wall and connect the power cord.

Note:

- Do not place the charger in direct sunlight.
- The auto-empty station requires more than 1.5-meter space in front and more than 0.5-meter space on both sides.
- Make sure the power cord is not placed where the robot can drag it.

POWER ON AND CHARGE

Put the robot on the base and align the charging electrodes with charging contact. For daily use, you can start intelligent recharge by short pressing the  button

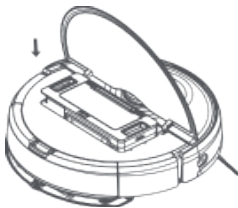


- Robot can't start up when it has low power. Please put it on the base to recharge.
- Robot will start up automatically after connecting to the base and can't be shut down while recharging.

SWEEPING MODE

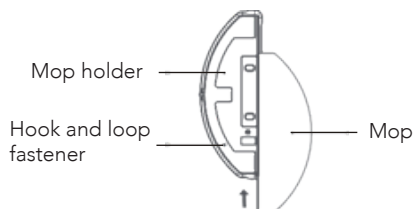
Open the cover, insert the dust box and press it down.

Note: Clean the dust box regularly in case of the dirt affecting the cleaning effect.

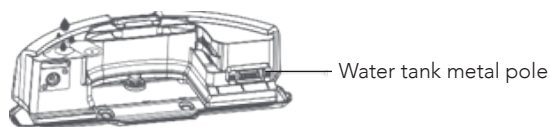


MOPPING MODE

1. Insert the mop along the slot of the mop holder and stick it on the hook and loop fastener.



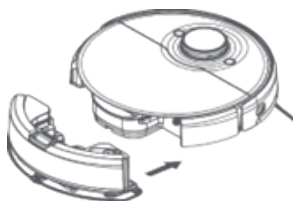
2. Open the water tank cover, fill the water tank and then fasten the water tank cover.



Note:

- Do not use detergents, disinfectants, solid cleaners or other cleaning products, or inject hot water into the water tank in case of corrosion and damage to the water tank.
- It is forbidden to shower or soak the water tank; The water tank metal pole should be dry before performing a mopping task.

3. Push the water tank into the bottom of the robot, and it will make a "click" sound when it is installed in place.



Note:

- When mopping the floor, please set up virtual walls or forbidden zones in the carpet area.
- Before starting sweeping/mopping function, be sure to remove any water accumulated on the floor.

APP USE

CLEANING MODE/LEVEL SELECTION

You can choose various cleaning modes and water flow rates.

DO NOT DISTURB MODE (DND)

When Do Not Disturb mode is activated, proceeding at breakout point, scheduled cleaning and active voice reporting are unavailable in robot.

Do Not Disturb mode is activated by default during the period from 22:00 to 7:00. Do Not Disturb mode can be deactivated in App.

CLEANING MODE WITHOUT MAP

When no map is stored, the robot will start cleaning each zone by a square area of 6m×6m. When a map is stored, the robot will start cleaning each room along the route planned automatically and return to base after completion.

MEMORY MAP

When memory map is activated in the App, the robot will save and update the map after finishing cleaning task and recharging successfully. After a map is completed successfully, you can split or merge zones or name any room in the App.

EDGE CLEANING MODE

When choosing edge cleaning mode in the App, the robot will automatically recognize range of the area to clean, and start cleaning along the edges, and return to base automatically after finishing cleaning.

SPECIFIED AREA CLEANING MODE

When an area to be cleaned is specified in the App, the robot will clean the specified area. **Note:** During cleaning, the robot may go beyond a defined area, remove any obstacle on the floor within defined area since definition of any area will not ensure safe separation.

FIXED-POINT CLEANING MODE

When choosing fixed-point cleaning and have selected a target point in the App, the robot will route cleaning task and start cleaning within a rectangular area of 2m × 2m based on the target position defined in the map in App.

SCHEDULED CLEANING MODE

User can schedule a cleaning task in App, and robot will start the cleaning task as scheduled and return to the base upon end of the task. **Note:** Any scheduled cleaning task will not be executed during the time when Do Not Disturb mode is activated.

VIRTUAL WALL/FORBIDDEN AREA

User can define virtual wall/ restricted area in App which the robot will avoid cleaning. **Note:** Before using this function, you have to store a map in the App. Moving the robot or change of indoor environment may cause the original map lost and any virtual wall/ restricted area unavailable.

RESET/RESTORE SYSTEM

- By long pressing the Reset button for 3 seconds, you will not only restore factory settings, but also reset the firmware to the last version.
- By long pressing Reset button for 10 seconds, the machine will clear all network connection information, map information, scheduled task and do-not-disturb information, and customization information, and reset the suction power to the default level.

Note: After resetting/restoring the system, the robot needs to reconnect the APP, and the relevant settings in the APP are removed.

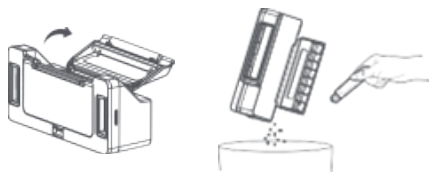
MAINTENANCE AND CLEANING

DUST BOX

1. Open the cover, press the dust box lock and take out the dust box



2. Dispose the trash in dust box, and clean the box with cleaning brush



3. Remove the dust box cover, take the filter screen out, dispose trash and clean the screen.

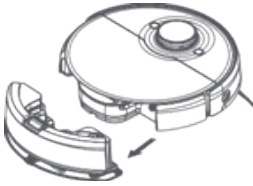


Note:

- It is recommended to clean the dust box at least once a week. Dry the dust box and filter screen before use (at least 24 hours)
- Do not wash the dust box with water, it can damage electric components.

VIBRATING WATER TANK

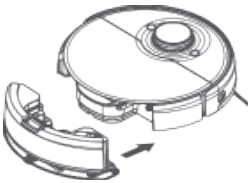
1. As shown in the figure, press the tank fastener down, and draw the tank out horizontally.



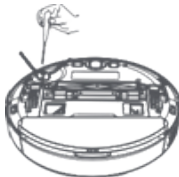
2. Turn the plastic tank cover, discharge any residual water in it and mount the cover in place.



3. As shown in the figure, mount the tank properly.

**SIDE BRUSH**

1. Turn the robot over and remove the side brush fixing screws.
2. Remove and clean the side brush.
3. Reinstall the side brush and tighten the screws.

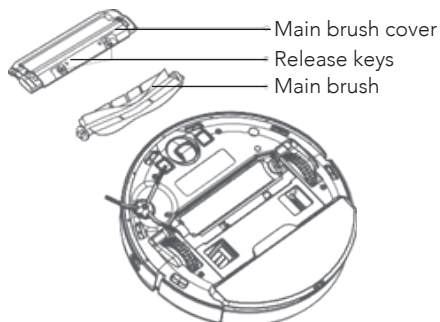


Note: It is recommended to replace the side brush every 3-6 months to ensure the cleaning effect.

MAIN BRUSH

1. Turn the robot over, press and hold the two release buttons to remove the main brush cover.
2. Take out the main brush upwards.
3. Use the knife on the cleaning brush to cut the entangled hair on the main brush and clean the main brush.
4. Put back the main brush and the main brush cover, and press the main brush cover to install it in place.

Note: It is recommended to replace the main brush every 6-12 months to ensure the cleaning effect.



BRUSH CLEANING METHOD

Use the included cleaning tool.



Cut hair



Clean the dirt

CLIFF SENSOR

Use a soft dry cloth to clean the cliff sensor every 3 months.



Cliff sensor

OPTICAL SENSOR

The robot contains precision optical sensor: Front sensor. Be sure to clean these sensors with soft and dust-free cloth to remove any dirt or dust on them, which, if accumulating heavily, may impair the obstacle avoidance performance of the robot. **Note:** Do not use chemicals such as detergent or spray to clean the sensor.



TROUBLESHOOTING

Problem	Solution
Unable to power on	<ol style="list-style-type: none"> 1. The battery is low 2. The ambient temperature is too low (below 0°C) or too high (above 35°C)
Robot fails to start sweeping	Low battery level. Charge it to full battery level
Robot cannot return for charging	<ol style="list-style-type: none"> 1. Too many barriers around auto clean base. Place auto clean base in an unblocked area. 2. Robot is too far from auto clean base. Place robot near auto clean base and try again.
Abnormal robot actions	Please shut down and restart the robot
Abnormal sound during cleaning	Please check and clean the foreign matters on the main brush, side brush, left/right wheel after the machine is turned off.
Cleaning performance deteriorates or dust drops	<ol style="list-style-type: none"> 1. Dust box is full. Please empty the dust box. 2. Filter screen is blocked. Please clean the screen. 3. Main brush is blocked by any foreign object. Please clean the main brush.
Robot is offline	<ol style="list-style-type: none"> 1. Weak wi-fi signals. Make sure robot is in proper coverage of Wi-Fi signals. 2. Wi-Fi connection fails. Reset Wi-Fi connection and download the latest app and try again.

EN

Robot fails to proceed at breakout point	<ol style="list-style-type: none">1. Make sure do not disturb mode is not activated, which will disable proceeding at breakout point.2. Proceeding at breakout point is unavailable when manually start recharging by performing operations in the app or short pressing recharging button or the appliance is moved to the auto clean base.
Unable to charge	Make sure there is sufficient spaces around auto clean base, and there is no dust or blockage on the surface of electrode of auto clean base
Fail to do scheduled cleaning	<ol style="list-style-type: none">1. Make sure the equipment has been connected to the network, as disconnection from network will fail sync and scheduled cleaning task.2. Make sure Do Not Disturb mode is not activated, which will deactivate scheduled cleaning.
Robot is always offline	Please ensure that the robot network configuration is successful and that the robot is always within the coverage of Wi-Fi signal.
Robot fails to connect to the app	Ensure that the robot and the auto clean base are in the area with good Wi-Fi signal; reset Wi-Fi according to the steps described in the Instruction Manual; then pair again.

FAULT MESSAGES

Fault messages	Solution
Place robot on a horizontal ground and start it.	It is detected that robot stays inclined. Place robot on a horizontal ground and start it, or perform leveling in App and then restart robot.
Put the robot on the ground to start	The wheel is suspended. Please move to the new position to start.
After a long-distance displacement, start the cleaning task again	Manually moving the robot will cause routing to fail. Please start the cleaning task again.
The laser radar is entangled or stuck. Please clean it up.	The radar is entangled by fiber. Please remove any fiber.
Please make sure the laser ranging sensor is not blocked before starting.	Laser ranging sensor is blocked or jammed by foreign matter. Remove the blockage or foreign matter. If removal is impossible, relocate the robot and then start it.
Make sure that visual recognition sensor is not blocked.	Visual recognition sensor is blocked or jammed by foreign matter. Remove the blockage or foreign matter. If removal is impossible, relocate the robot and then start it.
Please confirm that the visual recognition sensor is not blocked.	The visual recognition sensor is blocked or jammed by foreign objects, please remove the obstructed object or foreign objects. If it cannot be cleared, please move the host to a new location to start.
Please clean the cliff sensor and move to a new position to start it.	The robot is off ground. Relocate and restart the robot. Cliff sensor is dirty. Clean the cliff sensor
Check the collision sensor and remove any foreign matter on it.	Collision sensor is jammed. Remove foreign matter by tapping the sensor. If there is no foreign matter, relocate and restart the robot.
Please clean the edge IR sensor.	Edge IR sensor may be attached with foreign matter. Please clean it.
The TOF sensor fails. Please check and clean the sensor.	Front sensor may be attached with foreign matter. Please clean it.

EN

Please clean the surfaces of the front part of the robot and the bottom sensor to remove any dust.	Front sensor, edge IR sensor or cliff sensor is dusty. Please clean it.
The cliff sensor fails. Please clean and move it to a new position to start.	Cliff sensor may be attached to foreign matter or dirt. Please clean and move it to a new position to start it.
Laser radar is blocked. Check the laser radar	The radar on the top tower is blocked and routing fails. Remove blockage.
The dust box has not been cleaned for a long time. Please clean it immediately.	Dust box is full. Please empty it.
Virtual wall or forbidden area detected. Please move the robot out of this area.	The robot is at a virtual wall or forbidden area. Please move it out of the area.
Appliance is trapped. Remove any obstacle around the device and try again. Please put the appliance back onto the base.	The robot is trapped by obstacle around it. Please remove any obstacle. The robot fails to locate base. Place it manually back onto the base.
A new environment is detected. Please re-start cleaning task.	The robot is in a new environment and no map is created yet. Please re-start vacuuming task.



GUARANTEE

Wilfa issues a 5 year guarantee on this product from the day of purchase. The guarantee covers production failure or defects that arise during the guarantee period. Your purchase receipt works as proof towards retailer if claiming your guarantee.

The guarantee is valid only for products that are bought and used in private households. The guarantee is not valid if the product is used commercially. The guarantee is not valid if the product is misused, used by negligence, if not following instructions given by Wilfa, if modified or if unauthorized repairation is done. The guarantee is also not valid for normal wear of the product, misuse, lack of maintenance, use of wrong electrical voltage or:

- Overloading of product
- Parts which are normally worn down
- Parts you can expect being replaced regularly (e.g. filter, battery etc.)

Instruction manual is also available at our website; wilfa.com

PRODUCT SPECIFICATIONS

Size	350x97mm
Rated power	55 W
Rated voltage	14.8 V
Charging voltage	20 V
Battery capacity: SL, AI, SL+	6400 mAh

SUPPORT AND SPARE PARTS

For support please visit us at **wilfa.com**, and see our customer service/support page. Here you will find frequently asked questions, spare parts, tips and tricks and all our contact information.

RECYCLABILITY



This marking indicates that this product should not be disposed with other household wastes throughout the EU. To prevent possible harm to the environment or human health from uncontrolled waste disposal, recycle it responsibly to promote the sustainable reuse of material resources. To return your used device, please use the return and collection systems or contact the retailer where the product was purchased. They can take this product for environmentally safe recycling free of charge.

NO

INNHOLD

30	VIKTIGE SIKKERHETSANVISNINGER
32	BATTERI OG LADING
32	ANVISNINGER OM MILJØVERN
34	ANSVARFRASKRIVELSE – SYSTEM
35	PRODUKTOVERSIKT – GENERELT
36	PRODUKTOVERSIKT – STØVSUGER
37	PRODUKTOVERSIKT – DETALJERT
38	PRODUKTOVERSIKT – LYS OG KNAPPER
39	INSTALLASJON
41	BRUK AV APPEN
42	VEDLIKEHOLD OG RENGJØRING
45	FEILSØKING
47	FEILMELDINGER
50	GARANTI
51	PRODUKTSPEKIFIKASJONER
51	SUPPORT OG RESERVEDELER
51	GJENVINNING

NO

VIKTIGE SIKKERHETSANVISNINGER

- Produktet kan brukes av barn fra 8 år og oppover, samt personer med nedsatte fysiske, sansemessige eller mentale evner, eller mangel på erfaring og kunnskap, hvis de er under tilsyn eller har fått anvisninger om sikker bruk av produktet og er klar over farene forbundet med bruken. Ikke la barn leke med apparatet. Rengjøring og vedlikehold skal ikke utføres av barn uten tilsyn.
- Dette produktet skal kun brukes til gulvrengjøring i innendørs miljøer, og skal ikke brukes utendørs, på andre steder enn på gulv, eller i kommersielle eller industrielle miljøer.
- Ikke la barn få leke med maskinen. Sørg for at barn og kjæledyr holdes så langt unna som mulig når maskinen er i drift.
- Hvis strømledningen er skadet, må den skiftes ut med en spesialledning eller en spesialkomponent som fås kjøpt fra produsenten eller vedlikeholdsavdelingen.
- Ikke la barn eller kjæledyr sitte på maskinen.
- Ikke håndter roboten ved å bruke beskyttelsesdekselet for laserradaren som håndtak.

- Ikke bruk den på forhøyede overflater uten rekkverk (som hemser, åpne balkonger eller oppå møbler).
- Ikke bruk den i miljøer med en temperatur over 35 °C eller under 0 °C, eller hvis det er væske eller klebrige stoffer på gulvet.
- Ikke bruk den til å rengjøre brennende gjenstander.
- Før bruk må ledningene legges til side på gulvet for å ikke hindre maskinens bevegelser.
- Fjern skjøre gjenstander og småting fra gulvet (f.eks. vaser, plastposer osv.) for å unngå å skade verdifulle gjenstander hvis maskinen blokkeres eller kolliderer under drift.
- Ikke bruk moppefunksjonen på tepper. Ved mopping av gulvet må du sette opp virtuelle vegger eller forbudte soner i områder med tepper.
- Ikke la maskinen suge opp harde eller skarpe gjenstander (som dekoravfall, glass, spiker osv.).
- Rengjør og vedlikehold apparatet og baseenheten når strømmen er slått av.
- Ikke la maskinen ligge opp-ned over lengre tid.
- Hvis produktet må transporteres, må du sørge for at maskinen er slått av. Det anbefales å bruke originalemballasjen for å beskytte produktet.

NO

NO

BATTERI OG LADING

- Ikke bruk batterier, strømledninger eller baseenheter fra tredjeparter.
- Ikke demonter, reparer eller modifier batteriet eller baseenheten uten tillatelse.
- Ikke plasser den automatiske rengjøringsbasen i nærheten av en varmekilde (f.eks. en radiator).
- Før maskinen kasseres, må strømforsyningen kobles fra og batteriet tas ut av maskinen.
- Hvis maskinen ikke skal brukes over lengre tid, må du slå av maskinen etter at den er fulladet og plassere den på et tørt og kjølig sted.
- Det anbefales å lade batteriet minst én gang i måneden.

ANVISNINGER OM MILJØVERN

Følgende informasjon gjelder bare ved kassering av denne roboten, og er ikke instruksjoner for daglig drift:

Det innebygde litium-ion-batteriet i dette produktet inneholder kjemiske stoffer som forurenses miljøet. Fjern batteriet før du kasserer maskinen, og lever det til en batterigjenvinningsstasjon for sentralisert avhending.

Slik demonterer du batteriet:


1. La roboten kjøre til den har lite strøm igjen og ikke kan rengjøres uten å berøre den automatiske rengjøringsbasen.
2. Slå av roboten.
3. Demonter bunndekselet på roboten.
4. Trykk på spennen og trekk ut pluggen til batteriet. Ta deretter ut batteriet.
5. Fjern batteriets dekselplate og ta ut batteriet.

NO

OBS!

- Når du demonterer batteriet, må du sørge for at det er helt utladet og betjenes borte fra baseenheten.
- Demonter hele batteripakken samtidig. Pass på å ikke skade batterihuset for å unngå kortslutning eller lekkasje av farlige stoffer.
- Hvis du kommer i kontakt med batterivæske, må du skylle med rikelig med vann og søke legehjelp umiddelbart.
- Dette apparatet inneholder batterier som kun kan byttes ut av faglærte personer.

NO

- ADVARSEL! For å lade opp batteriet, bruk kun den avtakbare forsyningsenheten som følger med dette apparatet.
- Bruk kun RVCD-D14 eller D4000 den avtakbare forsyningsenheten.
- Avtagbar forsyningsenhet 

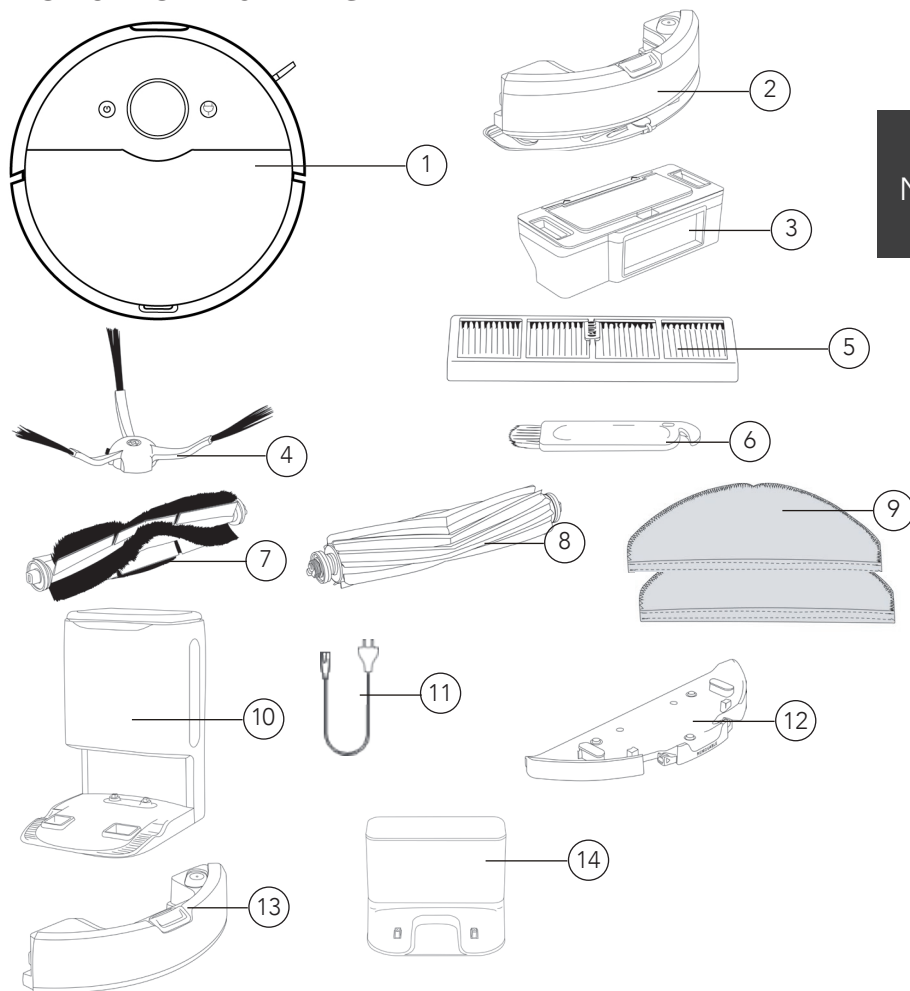
ANSVARFRASKRIVELSE – SYSTEM

Listen over smarttelefoner på markedet er lang og øker stadig. Systemytelsen kan variere avhengig av ulike kombinasjoner av operativsystemer og hvordan dette er implementert i telefonmodellen. Endringer fra industrien kan også ha betydning. Selv om vi forventer god ytelse i de fleste tilfeller, er det derfor ikke sikkert at appen vil fungere som den skal. Selv om appen sannsynligvis vil fungere i lang tid med eldre maskinvare- og programvareversjoner, bør du oppdatere telefonens operativsystem for å sikre at appen fungerer som den skal.

Minstekrav fra januar 2023:

- iOS 14.00
- Android 10.0

PRODUKTOVERSIKT – GENERELT



1. Robotstøvsuger

Tilbehør:

2. Vibrerende vanntank

3. Støvbeholder

4. Sidebørste

5. Filter

6. Rengjøringsverktøy

7. All-round børste

8. Gummibørste

9. Våtmopp

10. Støvbeholder (inkludert i RVC-D4000SL+) (kan kjøpes separat)

11. Strømledning

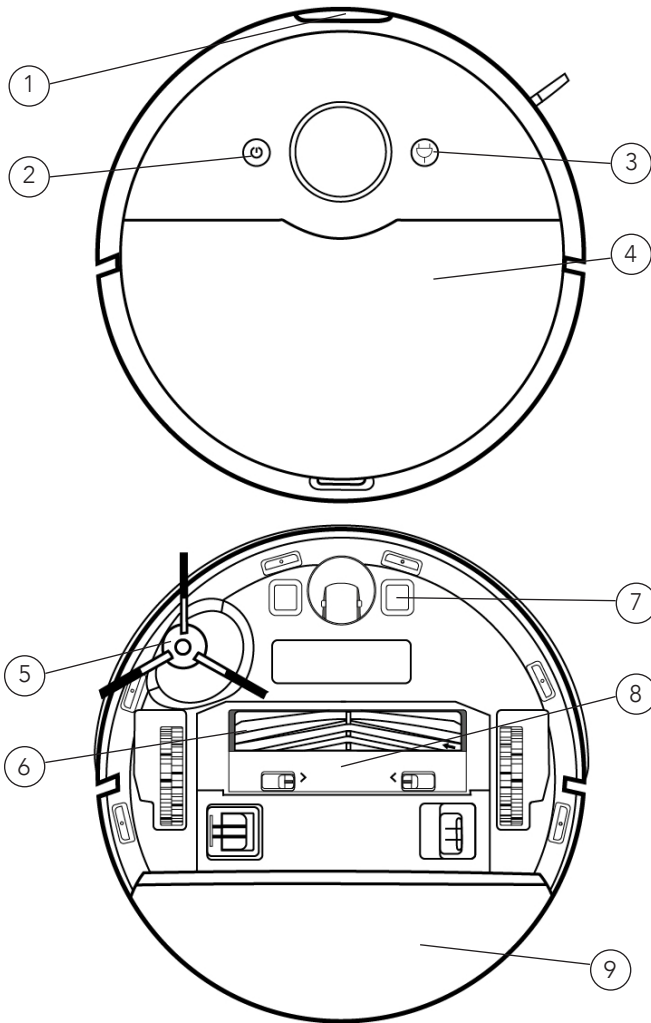
12. Avtakbar moppeplate

13. Vanntank

14. Ladestasjon D4000

PRODUKTOVERSIKT – STØVSUGER

NO

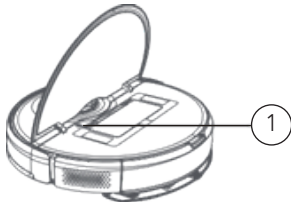


1. Sensor
2. Av/på-knapp
3. Hjem-knapp
4. Deksel
5. Sidebørste

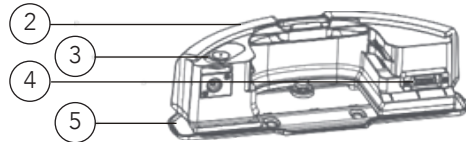
6. Hovedbørste
7. Ladeelektroder
8. Børstedeksel
9. Moppeholder

PRODUKTOVERSIKT – DETALJERT

ROBOT



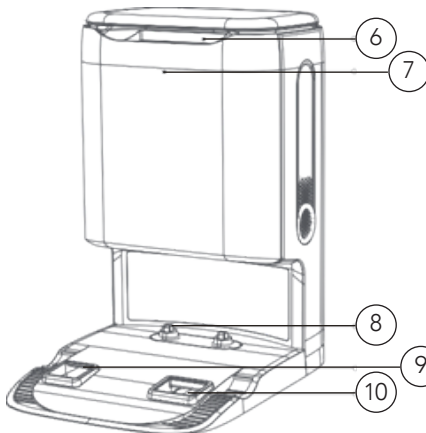
VIBRERENDE VANNTANK



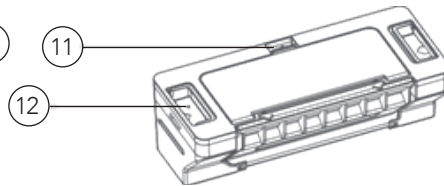
NO

STØVBEHOLDERSTASJON

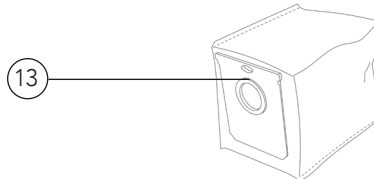
(Inkludert i RVC-D4000SL+ eller kjøpes separat)



STØVBEHOLDER



STØVPOSE



1. Tilbakestill
2. Festeanordning
3. Vanninntak
4. Metallstang for vanntank
5. Mopp
6. Filter
7. Indikator

8. Ladeelektrode
9. Luftutløp
10. Støvinntak
11. Festeanordning
12. Lås
13. Støvpose

PRODUKTOVERSIKT – LYS OG KNAPPER

NO

Kontinuerlig blått lys	Standby / Normal drift / Wi-Fi er tilkoblet
Pulserende blått lys	Lading, strømnivået er høyere enn 20%
Blinkende blått lys	Fastvareoppdatering pågår / Gjenoppretter fabrikkinnstillinger / Kobler til nettverket
Kontinuerlig gult lys	Wifi er frakoblet
Pulserende gult lys	Lading, strømnivået er lavere enn 20%
Blinkende gult lys	Lade opp
Blinkende rødt lys	Unormal tilstand
 Av/på-knapp	Langt trykk i 3 s, slå av eller på. Kort trykk, start eller sett på pause.
 Ladeknapp	I driftsmodus: Trykk kort for å sette roboten på pause. I pausemodus: Trykk kort for å starte lading. I lademodus: Trykk kort for å stoppe lading.

INSTALLASJON

Installer ladestasjonen ved å plassere den inntil veggen og koble til strømledningen. Sørg for at det er nok plass foran og på sidene av laderen.

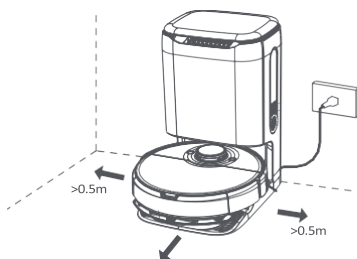
Installere støvbeholderen: Plasser støvbeholderen inntil veggen og koble til strømledningen.

OBS!

- Støvbeholderen må ikke plasseres i direkte sollys.
- Det skal være en klaring på minst 1,5 meter foran den automatiske støvbeholderen og en klaring på minst 0,5 meter på begge sider.
- Sørg for at strømledningen er plassert slik at den ikke dras rundt av roboten.

SLÅ PÅ STRØMMEN OG START LADINGEN

Sett roboten på laderen og innrett ladeelektrodene med ladekontakten. For daglig bruk kan du starte intelligent lading ved å trykke kort på ☹-knappen

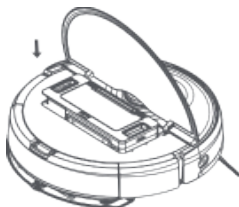


- Roboten kan ikke starte når den har lite strøm. Sett den på laderen for å lade den opp.
- Roboten starter automatisk når den er koblet til laderen, og kan ikke slås av mens den lader.

FEIEMODUS

Åpne dekelet, sett inn støvbeholderen og press den ned.

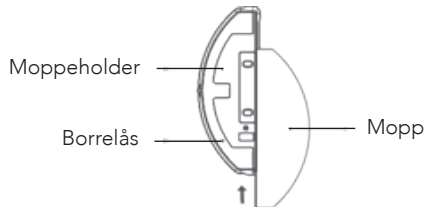
OBS! Tøm støvbeholderen regelmessig for å unngå at smuss påvirker effekten av rengjøringen.



NO

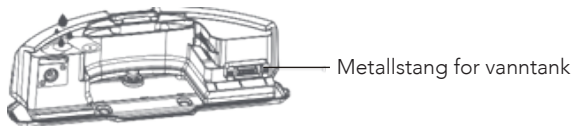
MOPPEFUNKSJON

1. Sett moppen inn i sporet på moppeholderen og fest den til borrelåsen.



NO

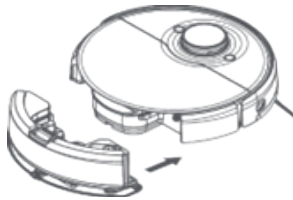
2. Åpne lokket på vanntanken, fyll vanntanken og sett på lokket igjen.



OBS!

- Ikke bruk vaskemidler, desinfeksjonsmidler, faste rengjøringsmidler eller andre rengjøringsprodukter, og ikke sprøyt varmt vann inn i vanntanken. Det kan forårsake korrosjon eller skade på vanntanken.
- Det er ikke tillatt å spyle eller bløtlegge vanntanken. Metallstangen på vanntanken må være tørr før mopping utføres.

3. Skyv vanntanken inn i bunnen av roboten. Den vil lage en klikkelyd når den låses på plass.



OBS!

- Ved mopping av gulv må du sette opp virtuelle vegger eller forbudte soner i områder med tepper.
- Fjern vann som har samlet seg på gulvet før feie-/moppefunksjonen startes.

BRUK AV APPEN

VALG AV RENGJØRINGSMODUS/-NIVÅ

Du kan velge ulike rengjøringsmoduser og vannmengder.

IKKE FORSTYRR-MODUS (DND)

Når ikke forstyr-modus er aktivert, vil ikke roboten fortsette der den sluttet sist eller utføre planlagt rengjøring, og aktiv talerapportering er ikke tilgjengelig. Ikke forstyr-modus er aktivert som standard i tidsrommet mellom kl. 22:00 og 7:00. Ikke forstyr-modus kan deaktiveres i appen.

NO

RENGJØRINGSMODUS UTEN KART

Når et kart ikke er lagret, vil roboten rengjøre hver sone i et kvadratisk område på 6×6 m. Når et kart er lagret, vil roboten automatisk rengjøre hvert rom langs den planlagte ruten og returnere til baseenheten når oppgaven er fullført.

MINNEKART

Når minnekartet er aktivert i appen, vil roboten lagre og oppdatere kartet etter at rengjøringsoppgaven er fullført og roboten er ladet. Etter at kartet er fullført, kan du dele opp eller slå sammen soner og navngi rommene i appen.

KANTRENGJØRINGSFUNKSJON

Når du velger kantrengjøringsmodus i appen, vil roboten automatisk gjenkjenne området som skal rengjøres og starte rengjøringen langs kantene. Den returnerer automatisk til baseenheten når rengjøringen er fullført.

RENGJØRINGSMODUS FOR SPESIFISERT OMRÅDE

Når du spesifiserer et område som skal rengjøres i appen, vil roboten rengjøre det spesifiserte området. **OBS!** Under rengjøring kan roboten bevege seg gjennom områder som ikke er definert for rengjøring. Fjern hindringer på gulvet innenfor det definerte området, slik at roboten kan kjøre trygt.

RENGJØRINGSMODUS FOR FAST PUNKT

Når du velger fast punktrengjøring og har valgt et målpunkt i appen, vil roboten rute rengjøringsoppgaven og starte rengjøringen innenfor et rektangulært område på 2 × 2 m basert på målposisjonen som er definert i kartet i appen.

PLANLAGT RENGJØRINGSMODUS

Brukeren kan planlegge en rengjøringsoppgave i appen, og roboten starter rengjøringsoppgaven som planlagt og går tilbake til baseenheten når oppgaven er fullført. **OBS!** Når ikke forstyr-modus er aktivert, utføres det ingen planlagte rengjøringsoppgaver.

NO

VIRTUELL VEGG / FORBUDT OMRÅDE

Brukeren kan definere en virtuell vegg / et begrenset område i appen, som roboten ikke skal rengjøre. **OBS!** Før du bruker denne funksjonen, må du lagre et kart i appen. Flytting av roboten eller endring av innemiljø kan føre til at det opprinnelige kartet går tapt og at virtuelle vegger / begrensede områder ikke er tilgjengelige.

TILBAKESTILLE/GJENOPPRETTE SYSTEMET

- Hvis du holder inne tilbakestillingsknappen i 3 sekunder, gjenoppretter du fabrikkinnstillingene og tilbakestiller også fastvaren til siste versjon.
- Hvis du holder inne tilbakestillingsknappen i 10 sekunder, fjerner maskinen all informasjon om nettverkstilkobling, kartinformasjon, planlagte oppgaver og informasjon om Ikke forstyr-modus, samt informasjon om tilpasning. Sugeeffekten tilbakestilles til standardnivå.

OBS! Etter at systemet er tilbakestilt/gjenopprettet, må roboten koble til appen på nytt, og de relevante innstillingene i appen fjernes.

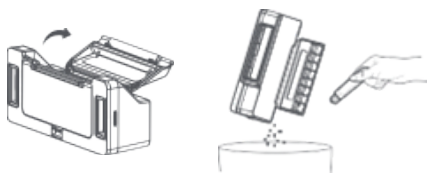
VEDLIKEHOLD OG RENGJØRING

STØVBEHOLDER

1. Åpne lokket, trykk på låsen til støvbeholderen og ta ut støvbeholderen.



2. Kast avfallet fra støvbeholderen og rengjør beholderen med en rensbørste.



3. Fjern lokket på støvbeholderen, ta ut filtersilen, tøm avfallet og rengjør silen.

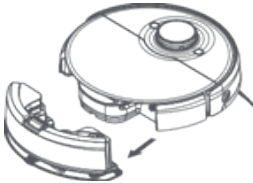


OBS!

- Det anbefales å rengjøre støvbeholderen minst én gang i uken. La støvbeholderen og filtersilen tørke før bruk (minst 24 timer).
- Ikke vask støvbeholderen med vann, da det kan skade de elektriske komponentene.

VIBRERENDE VANNTANK

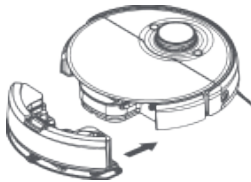
1. Trykk ned festeanordningen til tanken, som vist på bildet, og trekk tanken ut horisontalt.



2. Åpne plastlokket på tanken, tøm ut eventuelt vann og sett lokket på plass igjen.

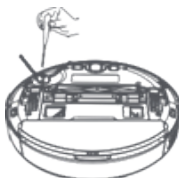


3. Monter tanken på riktig måte, som vist på bildet.



SIDEBØRSTE

1. Snu roboten og fjern festeskruene for sidebørsten.
2. Fjern sidebørsten og rengjør den.
3. Monter sidebørsten igjen og stram skruene.



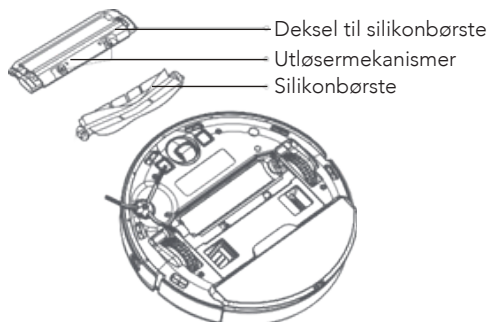
NO

OBS! Det anbefales å skifte sidebørsten hver 3.–6. måned for å sikre god rengjøringseffekt.

SILIKONBØRSTE

1. Snu roboten, og trykk og hold de to utløserknappene for å fjerne dekslet til silikonbørsten.
2. Trekk hovedbørsten oppover og ut.
3. Bruk kniven på rensebørsten til å kutte det sammenviklede håret på silikonbørsten, og rengjør hovedbørsten.
4. Sett hovedbørsten, silikonbørsten og dekslet til silikonbørsten tilbake på plass, og trykk på dekslet for å låse det på plass.

OBS! Det anbefales å skifte silikonbørsten hver 6.–12. måned for å sikre god rengjøringseffekt.



METODE FOR BØRSTERENGJØRING

Bruk det medfølgende rengjøringsverktøyet.



Kutt hår



Rengjør smuss

TRAPPESENSOR

Bruk en myk, tørr klut til å rengjøre trappesensoren hver 3. måned.



Trappesensor

OPTISK SENSOR

Roboten inneholder en nøyaktig optisk sensor: 3D ToF-sensor. Sørg for å rengjøre disse sensorene med en myk og støvfri klut for å fjerne smuss og støv. Hvis dette akkumuleres, kan det svekke robotens evne til å unngå hindringer.

OBS! Ikke bruk kjemikalier som vaskemiddel eller spray til å rengjøre sensoren.



NO

FEILSØKING

Problem	Løsning
Kan ikke slå på	<ol style="list-style-type: none"> 1. Batterinivået er lavt 2. Romtemperaturen er for lav (under 0 °C) eller for høy (over 35 °C)
Roboten starter ikke feiingen	Lavt batterinivå. Lad batteriet helt opp
Roboten kan ikke returnere for lading	<ol style="list-style-type: none"> 1. For mange hindringer rundt den automatiske rengjøringsbasen. Plasser den automatiske rengjøringsbasen på et område uten hindringer. 2. Roboten er for langt unna den automatiske rengjøringsbasen. Plasser roboten nær den automatiske rengjøringsbasen og prøv igjen.
Roboten oppfører seg unormalt	Slå av roboten og start den på nytt
Unormal lyd under rengjøring	Kontroller og fjern eventuelle fremmedlegemer på hovedbørsten, sidebørsten og venstre/høyre hjul etter at maskinen er slått av.
Rengjøringseffekten svekkes eller støv faller ned	<ol style="list-style-type: none"> 1. Støvbeholderen er full. Tøm støvbeholderen. 2. Filtersilen er blokkert. Rengjør silen. 3. Hovedbørsten er blokkert av fremmedlegemer. Rengjør hovedbørsten.

NO

Roboten er frakoblet	<ol style="list-style-type: none"> 1. Svake Wi-Fi-signaler. Sørg for at roboten er innenfor Wi-Fi-signalets dekningsområde. 2. Wi-Fi-tilkoblingen mislykkes. Tilbakestill Wi-Fi-tilkoblingen, last ned den nyeste versjonen av appen og prøv igjen.
Roboten fortsetter ikke der den sluttet sist	<ol style="list-style-type: none"> 1. Sørg for at Ikke forstyr-modus ikke er aktivert, da dette vil hindre at roboten fortsetter der den sluttet sist. 2. Det er ikke mulig å fortsette der roboten sluttet sist hvis du starter ladingen manuelt i appen, trykker kort på ladeknappen, eller hvis roboten flyttes til den automatiske rengjøringsbasen.
Kan ikke lade	Sørg for at det er tilstrekkelig med plass rundt den automatiske rengjøringsbasen, og at det ikke er støv eller blokkeringer på overflaten av elektroden på den automatiske rengjøringsbasen.
Kunne ikke utføre planlagt rengjøring	<ol style="list-style-type: none"> 1. Kontroller at utstyret er koblet til nettverket. Frakobling fra nettverket vil føre til at synkroniseringen og den planlagte rengjøringsoppgaven mislykkes. 2. Sørg for at Ikke forstyr-modus ikke er aktivert, noe som vil deaktivere den planlagte rengjøringen.
Roboten er alltid frakoblet	Sørg for at robotens nettverkskonfigurasjon er fullført og at roboten alltid er innenfor Wi-Fi-signalets dekningsområde.
Roboten kobler seg ikke til appen	Sørg for at roboten og den automatiske rengjøringsbasen er i et område med godt Wi-Fi-signal. Tilbakestill Wi-Fi-forbindelsen ved å følge trinnene i instruksjonshåndboken, og parkoble deretter på nytt.

FEILMELDINGER

Feilmelding	Løsning
Plasser roboten på et flatt underlag og start den.	Roboten står skjevt. Plasser roboten på et flatt underlag og start den, eller utfør nivellering i appen og start deretter roboten på nytt.
Sett roboten på bakken for å starte den	Hjulet har hengt seg opp. Flytt til en ny posisjon for å starte.
Start rengjøringsoppgaven på nytt hvis roboten har blitt flyttet over en lengre avstand	Hvis roboten flyttes manuelt, vil det føre til at rutingen mislykkes. Start rengjøringsoppgaven på nytt.
Laserradaren er blokkert eller sitter fast. Fjern det som blokkerer den.	Radaren er viklet inn i fibre. Fjern eventuelle fibre.
Kontroller at laseravstandssensoren ikke er blokkert før du starter.	Laseravstandssensoren er blokkert eller sitter fast på grunn av fremmedlegemer. Fjern blokkeringen eller fremmedlegemene. Hvis det ikke lar seg fjerne, flytter du roboten og starter den igjen.
Kontroller at sensoren for visuell gjenkjenning ikke er blokkert.	Sensoren for visuell gjenkjenning sitter fast eller er blokkert av fremmedlegemer. Fjern blokkeringen eller fremmedlegemene. Hvis det ikke lar seg fjerne, flytter du roboten og starter den igjen.
Forsikre deg om at sensoren for visuell gjenkjenning ikke er blokkert.	Sensoren for visuell gjenkjenning sitter fast eller er blokkert av fremmedlegemer. Fjern blokkeringen eller fremmedlegemene. Hvis det ikke lar seg fjerne, må du flytte roboten til et nytt sted og starte den på nytt.
Rengjør trappesensoren og flytt roboten til en ny posisjon for å starte den.	Roboten er utenfor området. Flytt roboten og start den på nytt. Trappesensoren er skitten. Rengjør trappesensoren
Kontroller kollisjonssensoren og fjern eventuelle fremmedlegemer på den.	Kollisjonssensoren sitter fast. Fjern fremmedlegemer ved å banke på sensoren. Hvis det ikke er noen fremmedlegemer, flytter du roboten og starter den på nytt.
Rengjør IR-kantsensoren.	IR-kantsensoren kan være blokkert av fremmedlegemer. Rengjør den.

NO

NO

TOF-sensoren fungerer ikke. Kontroller og rengjør sensoren.	Fremre sensor kan være blokkert av fremmedlegemer. Rengjør den.
Rengjør overflatene på den fremre delen av roboten og den nedre sensoren for å fjerne eventuelt støv.	Fremre sensor, IR-kantsensor eller trappesensor er støvete. Rengjør den.
Trappesensoren fungerer ikke. Rengjør den og flytt roboten til en ny posisjon for å starte den.	Trappesensoren kan være blokkert av fremmedlegemer eller smuss. Rengjør den og flytt roboten til en ny posisjon for å starte den.
Laserradaren er blokkert. Kontroller laserradaren	Radaren på det øverste tårnet er blokkert og rutingen mislykkes. Fjern blokkeringen.
Støvbeholderen har ikke blitt rengjort på lang tid. Rengjør den umiddelbart.	Støvbeholderen er full. Tøm den.
Virtuell vegg eller forbudt område er oppdaget. Flytt roboten ut av dette området.	Roboten befinner seg ved en virtuell vegg eller i et forbudt område. Flytt den ut av området.
Roboten sitter fast. Fjern eventuelle hindringer rundt roboten og prøv igjen. Sett roboten tilbake på baseenheten.	Roboten er blokkert av hindringer. Fjern eventuelle hindringer. Roboten finner ikke baseenheten. Sett den tilbake på baseenheten manuelt.
Et nytt miljø er registrert. Start rengjøringsoppgaven på nytt.	Roboten befinner seg i et nytt miljø, og det er ikke opprettet noe kart ennå. Start støvsugeroppgaven på nytt.

NO

NO



GARANTI

Wilfa gir 5 års garanti på dette produktet fra kjøpsdato. Garantien dekker produksjonsfeil eller mangler som oppstår i garantiperioden. Kjøpskvitteringen fungerer som bevis overfor forhandleren hvis du krever garanti.

Garantien gjelder kun for produkter som er kjøpt og brukt i privathusholdning. Garantien ugyldiggjøres hvis produktet brukes kommersielt. Garantien er ikke gyldig hvis produktet misbrukes, ved uaktsom bruk eller hvis du ikke følger instruksjonene fra Wilfa, eller ved uautoriserte modifiseringer og reparasjoner. Garantien dekker heller ikke normal bruksslitasje på produktet, misbruk, mangel på vedlikehold, bruk av feil elektrisk spenning eller:

- Overbelastning av produktet
- Vanlige slitedeler
- Deler som må skiftes ut regelmessig (f.eks. filter, batteri osv.)

Bruksanvisningen er også tilgjengelig på nettstedet vårt: wilfa.no

PRODUKTSPEKIFIKASJONER

Størrelse	350 x 97 mm
Nominell effekt	55 W
Nominell spenning	14,8 V
Ladespenning	20 V
Batterikapasitet:	
SL, AI, SL+	6400 mAh

NO

SUPPORT OG RESERVEDELER

For support, besøk oss på wilfa.no, og se vår kundeservice/supportside. Her finner du vanlige spørsmål, reservedeler, tips og triks, samt all kontaktinformasjon.

GJENVINNING



Dette merket betyr at produktet ikke må deponeres med vanlig husholdningsavfall i EØS-området. For å unngå skade på miljø og mennesker, er det viktig at dette produktet gjenvinnes. Lever produktet til en miljøstasjon eller ta kontakt med butikken der du kjøpte det. De kan ta seg av produktet for gjenvinning helt kostnadsfritt.

SE

SE

INNEHÅLL

- 54 VIKTIGA SÄKERHETSANVISNINGAR
- 56 BATTERI OCH LADDNING
- 56 INFORMATION OM MILJÖSKYDD
- 58 SYSTEMFRISKRIVNING
- 59 PRODUKTÖVERSIKT – ALLMÄNT
- 60 PRODUKTÖVERSIKT – DAMMSUGARE
- 61 PRODUKTÖVERSIKT – DETALJERAD
- 62 PRODUKTÖVERSIKT – LAMPOR OCH KNAPPAR
- 63 INSTALLATION
- 65 ANVÄNDA APPEN
- 66 UNDERHÅLL OCH RENGÖRING
- 69 FELSÖKNING
- 71 FELMEDDELANDEN
- 74 GARANTI
- 75 PRODUKTSPECIFIKATIONER
- 75 SUPPORT OCH RESERVDELAR
- 75 ÅTERVINNINGSBARHET

VIKTIGA SÄKERHETSANVISNINGAR

SE

- Denna produkt kan användas av barn från 8 års ålder eller äldre och av personer med nedsatt fysisk, sensorisk eller mental förmåga, samt personer med bristande erfarenhet och kunskap, om de övervakas eller instrueras beträffande säker användning av produkten och förstår de risker som är förknippade med användningen. Låt aldrig barn leka med apparaten. Rengöring och underhåll får inte utföras av barn utan övervakning.
- Denna produkt används endast för golvrengöring i hemmiljö och ska inte användas utomhus, på andra platser än golv, i kommersiella eller industriella miljöer.
- Låt inte barn leka med apparaten. Håll barn och husdjur under uppsikt så långt bort som möjligt när apparaten är igång.
- Om nätsladden är skadad måste den bytas ut mot en specialsladd eller en specialkomponent som köpts från tillverkaren eller underhållsavdelningen.
- Låt aldrig barn eller husdjur sitta på apparaten.
- Hantera inte robotdammsugaren genom att använda skyddshöljet på laserradarn som handtag.

- Använd den inte i högt belägna miljöer utan skyddsstaket (t.ex. övervåning, öppen balkong eller möbelskivor).
- Använd den inte i en miljö där temperaturen är högre än 35 °C lägre än 0 °C eller där det finns vätskor och klibbiga föremål på marken.
- Använd den inte för att rengöra brinnande föremål.
- Före användning ska kablarna arrangeras och vikas på golvet om det finns hinder som blockerar maskinens rörelser.
- Lagg undan ömtåliga föremål och annat (som vaser och plastpåsar osv.) på golvet för att undvika skador på värdesaker i hemmet när maskinen är blockerad under drift eller kolliderar lätt.
- Använd inte mopplingsläget på mattor. Vid moppling av golv, sätt upp virtuella väggar eller förbjudna zoner i mattområdet.
- Låt inte maskinen suga upp hårda eller vassa föremål (som dekorationsavfall, glas, spik etc.).
- Rengör och underhåll apparaten och basenheten i avstängt läge.
- Vänd inte apparaten upp och ned på marken under en längre tid.

SE

- Om produkter behöver transporteras, se till att apparaten är avstängd och använd originalförpackningen som förpackningsskydd.

BATTERI OCH LADDNING

SE

- Använd inte batterier från tredje part, nätsladd eller basenhet.
- Ta inte isär, reparera eller modifiera batteriet eller basenheten utan tillstånd.
- Placera inte den auto clean-basen nära värmekälla (t.ex. element etc.)
- Innan maskinen skrotas måste nätaggregatet kopplas från och batteriet tas ut ur apparaten.
- Om apparaten inte ska användas under en längre tid ska den stängas av efter att den har laddats helt och förvaras på en sval och torr plats.
- Vi rekommenderar att laddning sker minst en gång i månaden.

INFORMATION OM MILJÖSKYDD

Följande information gäller endast vid kassering av denna robot och är inte en daglig instruktion:

Kemiska ämnen i produktens inbyggda litiumjonbatteri förorenar miljön. Ta bort batteriet innan du kasserar maskinen och lämna den till

en professionell batteriåtervinningsstation för centraliserad kassering.


Demontering av batteriet:

1. Låt robotdammsugaren gå tills den har låg effekt och kan inte rengöras utan att man vidrör den auto clean-basen.
2. Stäng av robotdammsugaren.
3. Demontera robotdammsugarens undre hölje.
4. Tryck på spännet och dra ut batteriets kontaktdon och ta sedan ut batteriet.
5. Ta bort batteriskyddsplåten och ta ut batteriet.

SE

OBS!

- När du demonterar batteriet ska du se till att batteriet är helt urladdat och inte sitter i basenheten.
- Ta isär hela batteripaketet tillsammans och skada inte batteripaketets hölje för att undvika kortslutning eller läckage av farliga ämnen.
- Om du vidrör batterivätska ska du skölja med rikligt med vatten och omedelbart uppsöka läkare.
- Denna apparat innehåller batterier som endast kan bytas av en kvalificerad person.

- **VARNING!** För att ladda batteriet, använd endast den separata strömförsörjningsenhet som följde med denna apparat.
- Använd endast RVCD-D17 eller den separata strömförsörjningsenhet D4000.
- Separat strömförsörjningsenhet 

SE

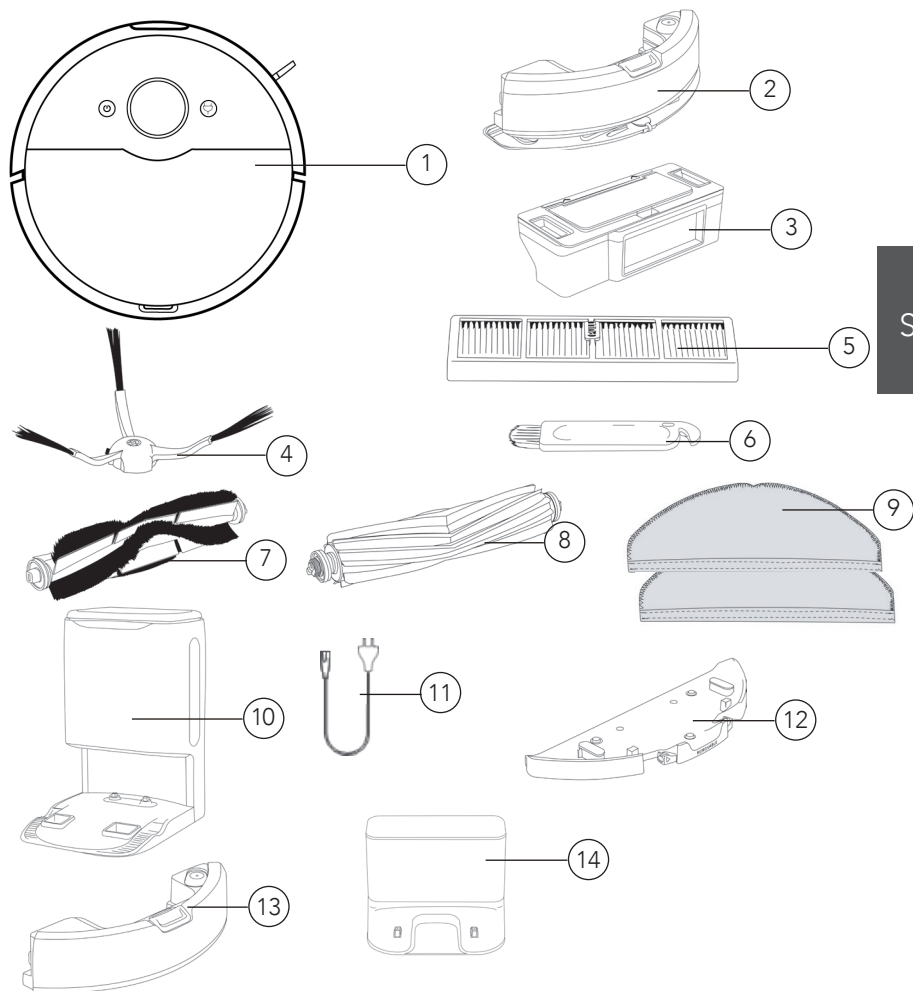
SYSTEMFRISKRIVNING

Listan över smartphonetyper på marknaden är lång och ökande. Systemprestanda kan variera för olika kombinationer av operativsystem och hur det implementeras i telefonmodellen. Även förändringar från branschen kan påverka. Även om vi förväntar oss bra prestanda i de flesta fall kan appens förväntade prestanda inte garanteras. Även om appen med största sannolikhet kommer att fungera under lång tid med äldre maskinvaru- och programvaruversioner måste du hålla telefonens operativsystem uppdaterat för att vara säker på att appen fungerar som den ska.

Minimikrav januari 2023:

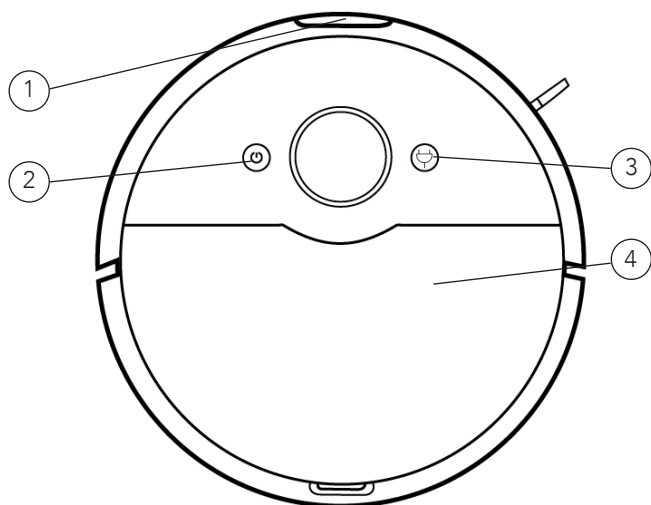
- iOS 14.00
- Android 10.0

PRODUKTÖVERSIKT – ALLMÄNT

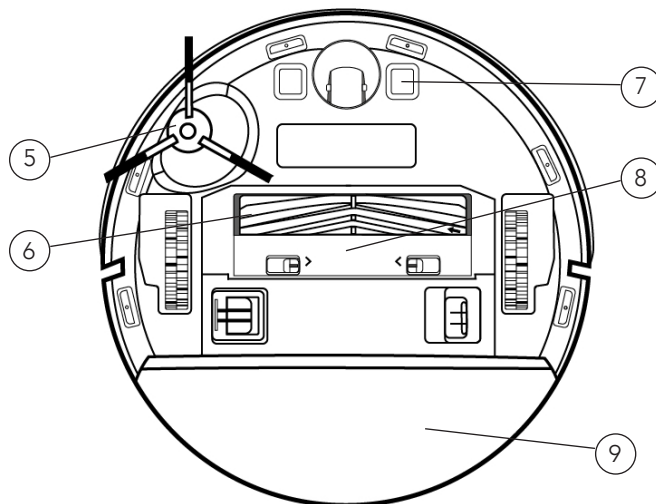


- | | | | |
|----|----------------------|-----|--------------------------------------|
| 1. | Robotdammsugare | 9. | Mopp |
| | Tillbehör: | 10. | Dammbehållare (ingår i RVC-D4000SL+) |
| 2. | Vibrationsvattentank | | (Kan köpas separat) |
| 3. | Dammbehållare | 11. | Elsladd |
| 4. | Sidborste | 12. | Avtagbar mopplatta |
| 5. | Filter | 13. | Vattentank |
| 6. | Städverktyg | 14. | Laddstation D4000 |
| 7. | All-roundborste | | |
| 8. | Silikonborste | | |

PRODUKTÖVERSIKT – DAMMSUGARE



SE

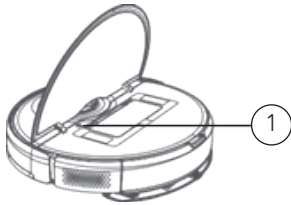


1. Sensor
2. PÅ/AV-knapp
3. Hem-knapp
4. Lock
5. Sidoborste

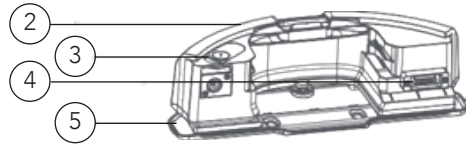
6. Borste
7. Laddningselektroder
8. Borstkåpa
9. Mopphållare

PRODUKTÖVERSIKT – DETALJERAD

ROBOT

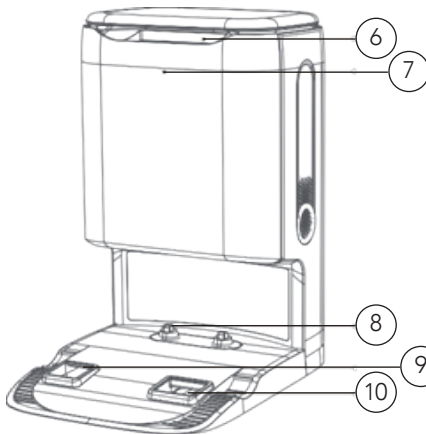


VIBRERANDE VATTENTANK

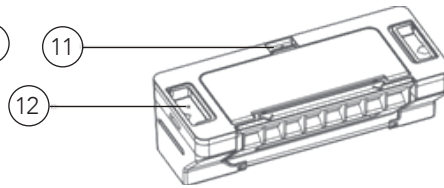


DAMMBEHÅLLARSTATION

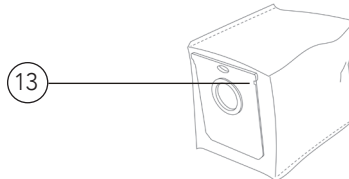
(Ingår i RVC-D4000SL+ eller köps separat)



DAMMBOX



DAMPÅSE



- | | | | |
|----|-----------------------------|-----|-------------------|
| 1. | Återställ | 8. | Laddningselektrod |
| 2. | Fästanordning | 9. | Luftutsläpp |
| 3. | Vatteninlopp | 10. | Damminlopp |
| 4. | Metallstång till vattentank | 11. | Fästanordning |
| 5. | Mopp | 12. | Lås |
| 6. | Filterskärm | 13. | Dampåse |
| 7. | Indikator | | |

SE

PRODUKTÖVERSIKT – LAMPOR OCH KNAPPAR

Blått ljus är alltid på	Standby/normal drift/ Wi-Fi är anslutet
Blått ljus pulserar	Laddar/ effekten är mer än 20 %
Blått ljus blinkar	Firmware-uppgradering pågår/ återställer fabriksinställningar/ Ansluter till nätverket
Gult ljus är alltid på	Wi-Fi är off-line
Gult pulserande ljus	Laddar/ effekten är lägre än 20 %
Gul lampa blinkar	Laddar
Röd lampa blinkar	Onormalt tillstånd
⏻ Strömbrytare	Håll intryckt i 3 s, för att slå på eller av strömmen. Kort tryck, starta eller pausa.
🔌 Laddningsknapp	I driftläge, kort tryck, robotdammsugaren pausar städningen. I pausläge kort tryck för att starta laddning. I laddningsläge kort tryck för att avbryta laddning.

SE

INSTALLATION


För att installera laddstationen, placera den mot väggen och anslut nätsladden. Se till att det finns tillräckligt med utrymme framför och på sidorna av laddaren.

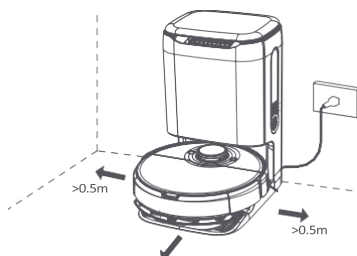
Installera den automatiska dammbehållaren. Placera dammbehållaren mot väggen och anslut elkabeln.

Obs!

- Placera inte dammbehållaren i direkt solljus.
- Den automatiska dammbehållaren kräver mer än 1,5 meters utrymme framför och mer än 0,5 meters utrymme på båda sidor.
- Se till att strömkabeln inte är placerad där robotdammsugaren kan dra den.

SLÅ PÅ OCH LADDA

Placera robotdammsugaren på basen och rikta in laddningselektrodena mot laddningskontakten. För daglig användning kan du starta intelligent laddning genom att trycka kort på  knappen

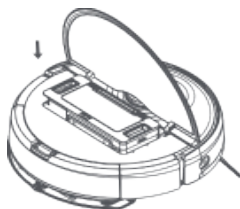


- Robotdammsugaren kan inte starta när den har låg batterinivå. Sätt den på basenheten för att ladda den.
- Robotdammsugaren startar automatiskt efter anslutning till basstationen och kan inte stängas av under laddning.

DAMMSUGNINGSLÄGE

Öppna locket, sätt i dammbehållaren och tryck ner den.

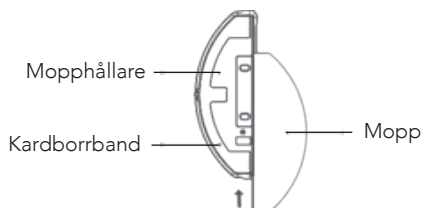
Obs! Rengör dammbehållaren regelbundet om smuts påverkar rengörings-effekten.



SE

MOPPNINGSLÄGE

1. För in moppen längs mopphållarens öppning och fäst den på kardborrbandet.

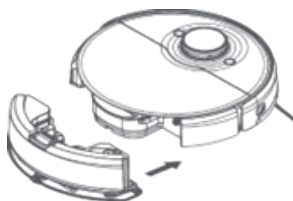


2. Öppna vattentankens lock, fyll på vattentanken och sätt sedan tillbaka locket.

SE

**Obs!**

- Använd inte rengöringsmedel, desinfektionsmedel, fasta rengöringsmedel eller andra rengöringsprodukter och spruta inte in varmt vatten i vattentanken i händelse av korrosion eller skador på vattentanken.
 - Det är förbjudet att duscha eller blötlägga vattentanken. Vattentankens metallstång ska vara torr innan du utför en moppling.
3. Tryck in vattentanken i botten av robotdammsugaren så hörs ett klickljud när den är på plats.

**Obs!**

- Vid moppling av golv, sätt upp virtuella väggar eller förbjudna zoner i mattområdet.
- Innan dammsugning/moppling påbörjas, se till att avlägsna vatten som samlats på golvet.

ANVÄNDA APPEN

VAL AV STÄDLÄGE/NIVÅ

Du kan välja mellan olika städlägen och vattenflöden.

STÖR EJ-LÄGE (DND)

När Stör ej-läget är aktiverat är det inte möjligt att fortsätta vid brytpunkten, schemalagd städning och aktiv röstrapportering är inte tillgängliga i robotdammsugaren. Stör ej-läget är som standard aktiverat 22:00 till 7:00. Stör ej-läget kan inaktiveras i appen.

STÄDLÄGE UTAN KARTA

När ingen karta är sparad kommer robotdammsugaren att börja städa varje zon med en kvadratytta på 6 × 6 m. När en karta har sparats kommer robotdammsugaren automatiskt att börja städa varje rum längs den planerade rutten och återgå till basstationen när den är klar.

MINNESKARTA

När minneskartan är aktiverad i appen kommer robotdammsugaren att spara och uppdatera kartan efter avslutad städning och laddning. När en karta har slutförts kan du dela upp eller slå ihop zoner eller namnge valfritt rum i appen.

KANTSTÄDNINGSLÄGE

När du väljer kantstädningssläge i appen känner robotdammsugaren automatiskt av räckvidden för det område som ska rengöras och börjar rengöra längs kanterna och återgår automatiskt till basen efter avslutad rengöring.

STÄDNINGSLÄGE FÖR ANGIVET OMRÅDE

När ett område som ska rengöras anges i appen kommer robotdammsugaren att rengöra det angivna området. **Obs!** Under städningen kan robotdammsugaren gå utanför ett definierat område, ta bort eventuella hinder på golvet inom det definierade området eftersom definition av ett område inte säkerställer säker separation.

LÄGE FÖR STÄDNING AV FASTA PUNKTER

När du väljer fast städningsspunkt och har valt en målpunkt i appen kommer robotdammsugaren att rikta in städuppgiften och påbörja städningen inom ett rektangulärt område på 2 m × 2 m baserat på målpositionen som definierats i kartan i appen.

SCHEMALAGT STÄDNINGSLÄGE

Användaren kan schemalägga en städuppgift i appen så att robotdammsugaren startar uppgiften som schemalagd och återgår till basen när uppgiften har slutförts. **Obs!** Schemalagda städuppgifter utförs inte under tiden som Stör ej-läget är aktiverat.

SE

VIRTUELL VÄGG/FÖRBJUDET OMRÅDE

Användaren kan definiera virtuella väggar/förbjudet område i appen som robotdammsugaren avstår från att städa. **Obs!** Innan du använder den här funktionen måste du spara en karta i appen. Om robotdammsugaren flyttas eller inomhusmiljön förändras kan den ursprungliga kartan gå förlorad och virtuell vägg/förbjudet område kan bli otillgängligt.

ÅTERSTÄLLA SYSTEMET

- Om du håller återställningsknappen intryckt i 3 sekunder återställs inte bara fabriksinställningarna utan även den inbyggda programvaran till den senaste versionen.
- Genom att hålla återställningsknappen intryckt i 10 sekunder rensar maskinen all nätverksinformation, kartinformation, schemalagd uppgift och störningsfri information samt anpassningsinformation och återställer sugeffekten till standardnivån.

SE

Obs! Efter återställning av systemet måste robotdammsugaren återansluta appen och relevanta inställningar i appen tas bort.

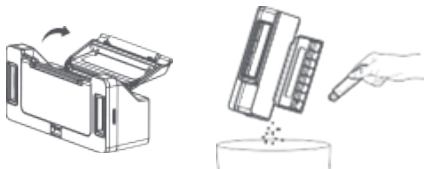
UNDERHÅLL OCH RENGÖRING

DAMMBEHÅLLARE

1. Öppna locket, tryck på dammbehållarens lås och ta ut dammbehållaren



2. Töm skräpet från dammbehållaren och rengör lådan med en rengöringsborste



3. Ta bort dammbehållarens lock, ta ut filtersilen, kasta skräpet och rengör silen.

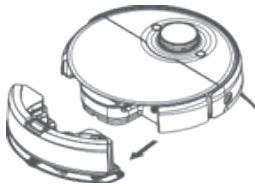


Obs!

- Vi rekommenderar att dammbehållaren rengörs minst en gång i veckan. Torka dammbehållaren och filtersilen före användning (minst 24 timmar)
- Tvätta inte dammbehållaren med vatten eftersom det kan skada elektriska komponenter.

VIBRATIONSTANK

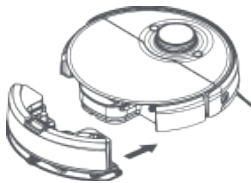
1. Tryck tankfästet nedåt som bilden visar och dra ut tanken horisontellt.



2. Vänd på locket till plastbehållaren, släpp ut eventuellt kvarvarande vatten och montera locket.

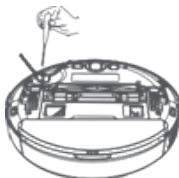


3. Montera tanken korrekt enligt bilden.



SIDOBORSTE

1. Vänd på robotdamsugaren och avlägsna sidoborstens fästskruvar.
2. Ta bort och rengör sidoborsten
3. Sätt tillbaka sidoborsten och dra åt skruvarna.



SE

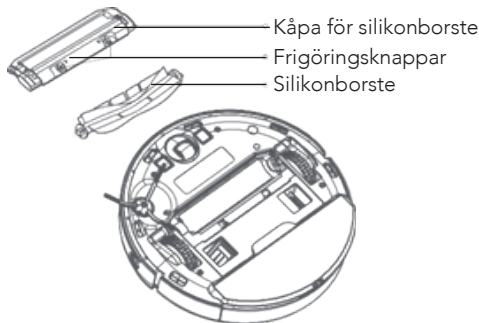
Obs! Vi rekommenderar att sidoborsten byts ut var 3–6 månad för att säkerställa rengöringseffekten.

SILIKONBORSTE

1. Vänd på robotdammsugaren, tryck på och håll nere de två frigöringsknapparna för att avlägsna silikonborstens hölje.
2. Ta ut huvudborsten uppåt.
3. Använd kniven på rengöringsborsten för att skära av det intrasslade håret på silikonborsten och rengör huvudborsten.
4. Sätt tillbaka huvudborsten, silikonborsten och silikonborstskyddet och tryck på borstskyddet för att sätta det på plats.

SE

Obs! Vi rekommenderar att silikonborsten byts ut var 6-12 månad för att säkerställa rengöringseffekten.



BORSTRENGÖRINGSMETOD

Använd det medföljande rengöringsverktyget.



Klippa hår



Rensa smuts.

STUPSENSOR

Använd en mjuk, torr trasa för att rengöra stupsensorn var 3:e månad.



Stupsensor

OPTISK SENSOR

Robotdammsugaren innehåller en optisk precisionssensor: 3D ToF-sensor. Rengör sensorerna med en mjuk och dammfri trasa för att avlägsna smuts och damm som kan försämra robotdammsugarens förmåga att undvika hinder.

Obs! Använd inte kemikalier som rengöringsmedel eller spray för att rengöra sensorn.



SE

FELSÖKNING

Problem	Lösning
Går inte att starta	<ol style="list-style-type: none"> 1. Batteriet är svagt 2. Omgivningstemperaturen är för låg (under 0 °C) eller för hög (över 35 °C)
Robotdammsugaren börjar inte dammsuga	Låg batterinivå. Ladda till full batterinivå
Robotdammsugaren kan inte återgå till laddning	<ol style="list-style-type: none"> 1. För många barriärer runt auto clean-basen. Placera auto clean-basen på en plats som inte är blockerad. 2. Robotdammsugaren är för långt från auto clean-basen. Placera robotdammsugaren nära auto clean-basen och försök igen.
Onormala rörelser av robotdammsugaren	Stäng av och starta om robotdammsugaren
Onormala ljud hörs under drift.	Kontrollera och rengör huvudborsten, sidoborsten och vänster/höger hjul efter att maskinen har stängts av.
Städprestandan försämras eller damm faller ur	<ol style="list-style-type: none"> 1. Dammbehållaren är full. Töm dammbehållaren. 2. Filtersilen är blockerad. Rengör filtret. 3. Huvudborsten är blockerad av främmande föremål. Rengör huvudborsten.

SE

Robotdammsugaren är offline	<ol style="list-style-type: none"> 1. Svag wifi-signal. Se till att robotdammsugaren har tillräcklig täckning för Wi-Fi-signal. 2. Wi-Fi-anslutningen fungerar inte. Återställ Wi-Fi-anslutningen och ladda ner den senaste appen och försök igen.
Robotdammsugaren fortsätter inte vid brytpunkten	<ol style="list-style-type: none"> 1. Se till att stör ej-läget är aktiverat, vilket kommer att inaktivera fortsatt arbete vid brytpunkten. 2. Det går inte att fortsätta vid brytpunkten när laddningen startas manuellt genom att utföra åtgärder i appen eller genom att trycka kort på laddningsknappen eller när apparaten flyttas till auto clean-basen.
Går inte att ladda	Kontrollera att det finns tillräckligt med utrymme runt auto clean-basen och att det inte finns något damm eller någon blockering på ytan av elektroden på basen
Kunde inte utföra schemalagd städning	<ol style="list-style-type: none"> 1. Kontrollera att utrustningen har anslutits till nätverket eftersom det inte går att synkronisera och utföra schemalagd städning när utrustningen inte är ansluten till nätverket. 2. Se till att Stör ej-läget inte är aktiverat, vilket inaktiverar schemalagd städning.
Robotdammsugaren alltid offline	Kontrollera att Robotdammsugaren nätverkskonfiguration fungerar och att robotdammsugaren alltid har Wi-Fi-täckning.
Robotdammsugaren ansluter inte till appen	Kontrollera att robotdammsugaren och auto clean-basen är i området med bra Wi-Fi-signal. Återställ Wi-Fi enligt stegen som beskrivs i bruksanvisningen och parkoppla sedan igen.

FELMEDDELANDEN

Felmeddelanden	Lösning
Placera robotdammsugaren på en horisontell yta och starta den.	Robotdammsugaren står lutad. Placera robotdammsugaren på en horisontell yta och starta den, eller utför nivåjustering i appen och starta sedan om robotdammsugaren.
Placera robotdammsugaren på marken för att starta	Hjulet hänger sig. Flytta till den nya positionen för att börja.
Efter en förskjutning över långa avstånd, starta rengöringsuppgiften igen	Om robotdammsugaren flyttas manuellt misslyckas dirigeringen. Starta städuppgiften igen.
Laserradarn har trasslat in sig eller fastnat. Rengör den.	Radarn har trasslat in sig i fibrer. Ta bort eventuella fibrer.
Kontrollera att laseravståndssensorn inte är blockerad innan du startar.	Laseravståndssensorn är blockerad eller igensatt av främmande material. Avlägsna blockeringen. Om det inte går att ta bort robotdammsugaren flyttar du den och startar den sedan.
Kontrollera att sensorn för visuell igenkänning inte är blockerad.	Sensorn för visuell igenkänning är blockerad eller igensatt av främmande föremål. Avlägsna blockeringen. Om det inte går att ta bort robotdammsugaren flyttar du den och startar den sedan.
Kontrollera att sensorn för visuell igenkänning inte är blockerad.	Sensorn för visuell igenkänning är blockerad eller igensatt av främmande föremål, ta bort det blockerade föremålet eller främmande föremål. Om den inte kan rensas, flytta apparaten till en ny plats för att börja.
Rengör stupsensorn och flytta till en ny position för att starta den.	Robotdammsugaren är inte på golvet. Flytta och starta om robotdammsugaren. Stupsensorn är smutsig. Rengör stupsensorn
Kontrollera kollisionssensorn och avlägsna främmande material från den.	Kollisionssensorn har igensatt. Avlägsna främmande material genom att knacka på sensorn. Om det inte finns något främmande material, flytta och starta om robotdammsugaren.

SE

Rengör kanten på IR-kantsensorn.	IR-kantsensorn kan vara belagd med främmande material. Rengör.
TOF-sensorn fungerar inte. Kontrollera och rengör sensorn	Den främre sensorn kan vara belagd med främmande material. Rengör.
Rengör ytorna på den främre delen av robotdammsugaren och den nedre sensorn för att avlägsna eventuellt damm.	Främre sensor, IR-kantsensor eller stupsensor är dammig. Rengör.
Stupsensorn fungerar inte. Rengör och flytta till en ny position för att börja.	Stupsensorn kan vara belagd med främmande material eller smuts. Rengör och flytta till en ny position för att starta den.
Laserradarn är blockerad. Kontrollera laserradarn	Radarn upptill är blockerad och dirigeringen misslyckas. Avlägsna blockeringen.
Dammbehållaren har inte rengjorts på länge. Rengör den omedelbart.	Dammbehållaren är full. Töm den.
Virtuell vägg eller förbjudet område upptäckt. Flytta robotdammsugaren bort från detta område.	Robotdammsugaren befinner sig vid en virtuell vägg eller ett förbjudet område. Flytta ut den från området.
Apparaten har fastnat. Avlägsna eventuella hinder runt enheten och försök igen. Sätt tillbaka apparaten i basen.	Robotdammsugaren fångas upp av ett hinder runt den. Ta bort eventuella hinder. Robotdammsugaren hittar inte basen. Sätt tillbaka den manuellt på basen.
En ny miljö detekteras. Starta om städningen.	Robotdammsugaren befinner sig i en ny miljö och ingen karta har skapats ännu. Starta om dammsugning.

SE

SE



SE

GARANTI

Wilfa lämnar 5 års garanti på denna produkt från inköpsdagen. Garantin täcker produktionsfel eller fel som uppstår under garantitiden. Ditt inköpskvitto fungerar som bevis gentemot återförsäljaren om du åberopar garanti.

Garantin gäller endast produkter som köps och används för privat bruk, för normala hushållsändamål. Garantin gäller inte om produkten används för kommersiella ändamål. Garantin gäller inte om produkten används felaktigt eller oaktsamt, om du underlåter att följa Wilfas anvisningar, om produkten har modifierats eller om reparation har utförts av en icke auktoriserad person/verkstad. Garantin omfattar vidare inte fel som uppstår till följd av normalt slitage, felaktig användning, bristande underhåll eller felaktig elektrisk spänning eller:

- Överbelastning av produkten
- Delar som normalt slits
- Delar som du kan förvänta dig ska bytas ut regelbundet (t.ex. filter, batteri osv.)

Bruksanvisningen finns även på vår hemsida wilfa.com

PRODUKTSPECIFIKATIONER

Storlek	350 x 97 mm
Märkeffekt	55 W
Märkspänning	14,8 V
Laddningsspänning	20 V
Batterikapacitet:	
SL, AI, SL+	6400 mAh

SUPPORT OCH RESERVDELAR

För support besök oss på **wilfa.se** och se vår kundservice-/support sida. Här hittar du svar på vanliga frågor, reservdelar, tips och tricks och all vår kontaktinformation.

SE

ÅTERVINNINGSBARHET



Denna märkning anger att produkten inte får kastas med vanligt hushållsavfall inom EU. För att förhindra skador på miljö och människor ska produkten lämnas in och återvinnas i enlighet med gällande miljöbestämmelser. Den uttjänta produkten kan lämnas på angivna återvinningsanläggningar eller lämnas till din lokala återförsäljare. Där kan du lämna produkten för miljövänlig återvinning gratis.

DK

INDHOLD

- 78 VIGTIGE SIKKERHEDSANVISNINGER
- 80 BATTERI OG OPLADNING
- 80 MILJØBESKYTTELSE
- 82 ANSVARFRASKRIVELSE
- 83 PRODUKTOVERSIGT – GENEREL
- 84 PRODUKTOVERSIGT – STØVSUGER
- 85 PRODUKTOVERSIGT – DETALJERET
- 86 PRODUKTOVERSIGT – LYS OG KNAPPER
- 87 INSTALLATION
- 89 BRUG AF APP
- 90 VEDLIGEHOLDELSE OG RENGØRING
- 93 FEJLFINDING
- 95 FEJLMEDDELELSER
- 98 GARANTI
- 99 PRODUKTSPECIFIKATIONER
- 99 SUPPORT OG RESERVEDELE
- 99 GENANVENDELIGHED

DK

VIGTIGE SIKKERHEDSANVISNINGER

DK

- Apparatet må benyttes af børn fra 8 år og personer med begrænsede fysiske, sensoriske eller mentale evner eller mangel på erfaring og viden, hvis de er under opsyn eller har fået vejledning i brug af produktet på en sikker måde og forstår den risiko, der er forbundet hermed. Børn må ikke lege med apparatet. Rengøring og vedligeholdelse må ikke foretages af børn uden opsyn.
- Dette produkt er kun beregnet til rengøring af gulve i hjemmet og bør ikke anvendes udendørs, på andre flader end gulve eller i erhvervs- eller industrimiljøer.
- Børn må ikke lege med maskinen. Børn og kæledyr skal være under opsyn, så de er så langt væk som muligt, når maskinen kører.
- Hvis ledningen er beskadiget, skal den udskiftes med en specialledning eller en specialkomponent, der er købt hos producenten eller vedligeholdelsesafdelingen.
- Børn og kæledyr må ikke sidde på maskinen.
- Undgå at bruge laserradarens beskyttelsesdæksel som håndtag.
- Brug den ikke i ophængte miljøer uden beskyttende hegn (f.eks. hævede gulve, åbne

balkoner og møbeloverflader).

- Må ikke bruges i omgivelser, hvor temperaturen er højere end 35 °C lavere end 0 °C, eller på underlag med væsker og klæbrige genstande.
- Må ikke bruges til at rengøre brændende genstande.
- Før brug skal ledningerne placeres og foldes sammen på gulvet i tilfælde af forhindringer, der blokerer maskinens bevægelse.
- Fjern skrøbelige genstande og diverse ting (som vaser og plastikposer osv.) på underlaget for at undgå skader på værdigenstande i hjemmet, når maskinen er blokeret under drift eller kolliderer let.
- Brug ikke moppefunktionen på gulvtæpper. Når gulvet moppes, skal der være oprettet virtuelle vægge eller forbudte zoner i områder med tæpper.
- Lad ikke maskinen opsuge hårde eller skarpe genstande (f.eks. dekorationsaffald, glas, søm osv.).
- Apparatet skal være slukket under rengøring og vedligeholdelse af apparatet og basen.

DK

- Vend ikke maskinen på hovedet på underlaget i længere tid.
- Hvis produkter skal transporteres, skal de være slukket, og vi anbefaler at bruge den originale emballage som beskyttelse.

BATTERI OG OPLADNING

DK

- Brug ikke batterier, ledninger eller base fra tredjepart.
- Batteriet eller basen må ikke skilles ad, repareres eller ændres uden tilladelse.
- Undgå at placere autorensningsbasen tæt på varmekilden (f.eks. en radiator osv.).
- Før maskinen kasseres, skal strømforsyningen afbrydes, og batteriet skal tages ud af maskinen.
- Hvis den ikke bruges i længere tid, skal maskinen slukkes efter fuld opladning og opbevares på et køligt og tørt sted.
- Det anbefales at oplade mindst én gang om måneden.

MILJØBESKYTTELSE

Følgende oplysninger gælder kun ved bortskaffelse af denne robot og er ikke en daglig betjeningsvejledning:

Kemiske stoffer i produktets indbyggede litium-ion-batteri vil forurene miljøet. Fjern batteriet, inden du bortskaffer maskinen, og aflever det på en professionel genbrugsstation til central bortskaffelse.


Trin til demontering af batteriet:

1. Lad robotten køre, indtil den er ved at løbe tør for strøm og ikke kan rengøres uden at berøre autorensningsbasen.
2. Sluk for robotten.
3. Afmonter robottens nederste kabinet.
4. Trykpåspændet, og træk batteriets forbindelsesstik ud, og tag derefter batteriet ud.
5. Fjern batteriets dækplade, og tag batteriet ud.

BEMÆRK:

- Når batteriet tages ud, skal det være afladet og betjenes væk fra basen.
- Skil batteripakken ad samlet, og undgå at beskadige batteripakkens hus i tilfælde af kortslutning eller lækage af farlige stoffer.
- Hvis du kommer i kontakt med batterivæsken, skal du skylle med rigeligt vand og straks søge lægehjælp.

DK

- Dette apparat indeholder batterier, der kun må skiftes af en fagperson.
- ADVARSEL! Brug kun den aftagelige forsyningsenhed, der følger med apparatet, når batteriet oplades
- Brug kun RVCD-D17 eller den aftagelige forsyningsenhed D4000
- Aftagelig forsyningsenhed 

DK

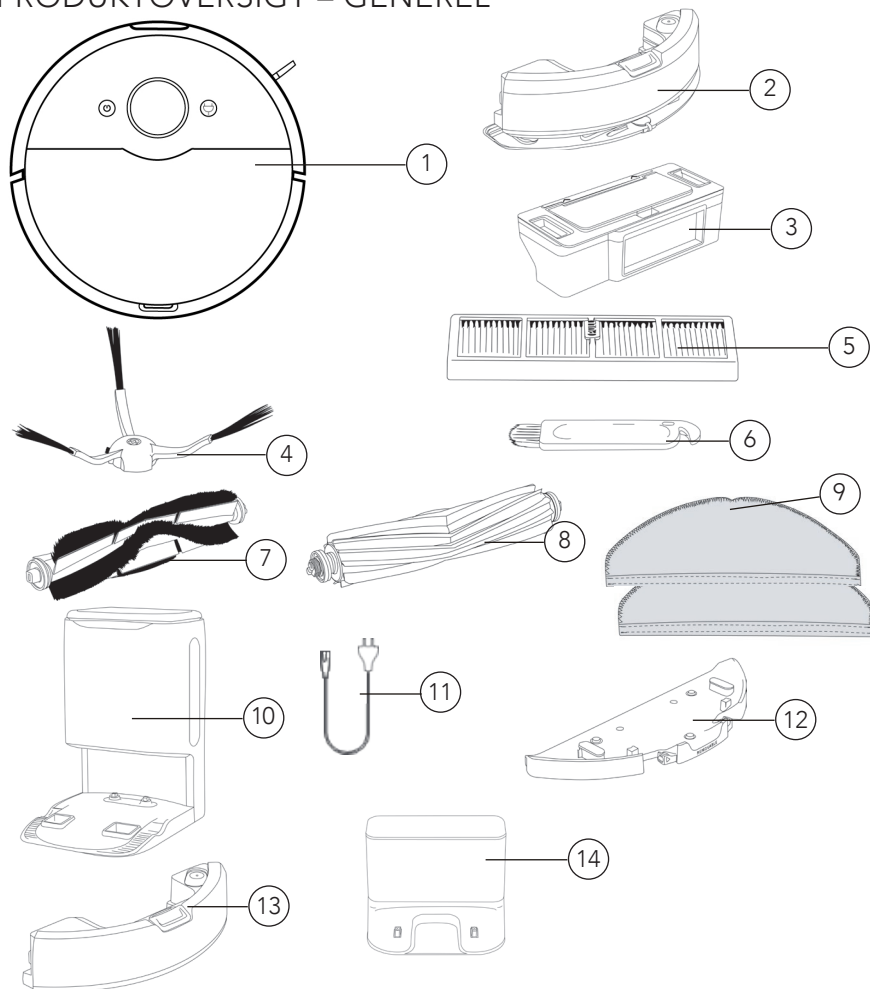
ANSVARFRASKRIVELSE

Listen over typer af smartphones på markedet er lang og vokser. Systemets ydeevne kan variere ved forskellige kombinationer af styresystemet, og hvordan det er implementeret i telefonmodellen. Ændringer fra branchen kan også have en betydning. Selvom vi i de fleste tilfælde forventer en god ydeevne, kan vi derfor ikke garantere, at appen fungerer som forventet. Selvom appen sandsynligvis vil fungere i lang tid på ældre hardware- og softwareversioner, skal du holde telefonens styresystem opdateret for at være sikker på, at appen er fuldt funktionsdygtig.

Minimumskrav for januar 2023:

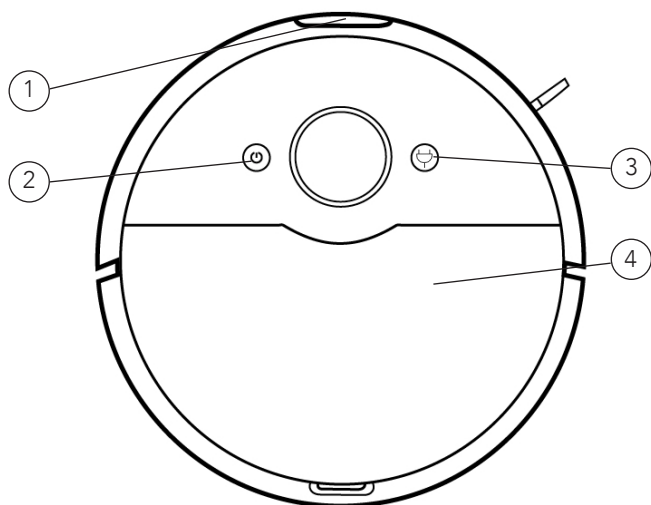
- iOS 14.00
- Android 10.0

PRODUKTOVERSIGT – GENEREL

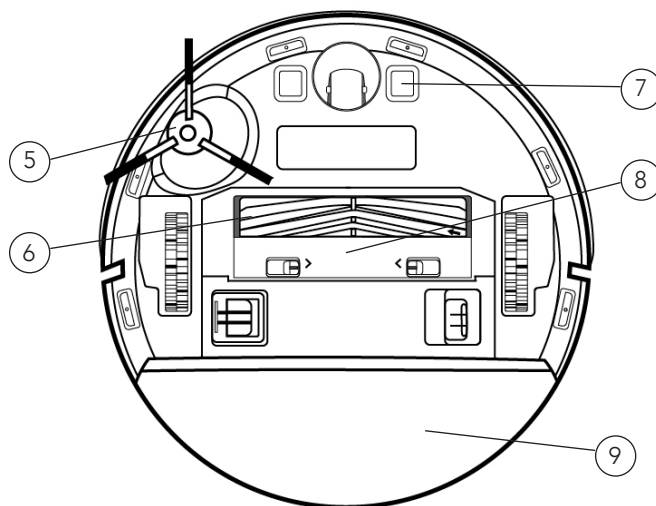


- | | | | |
|----|-------------------------|-----|--|
| 1. | Robotstøvsuger | 9. | Moppe |
| | Tilbehør: | 10. | Støvbeholder (medføler i RVC-D4000SL+) (kan købes separat) |
| 2. | Vibrerende vandbeholder | 11. | Ledning |
| 3. | Støvbeholder | 12. | Aftagelig moppeplade |
| 4. | Sidebørste | 13. | Vandbeholder. |
| 5. | Filter | 14. | Ladestation D4000 |
| 6. | Rengøringsværktøj | | |
| 7. | All-round børste | | |
| 8. | Silikonebørste | | |

PRODUKTOVERSIGT – STØVSUGER



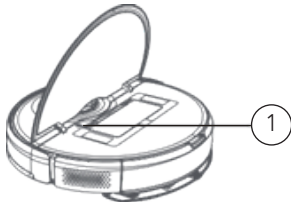
DK



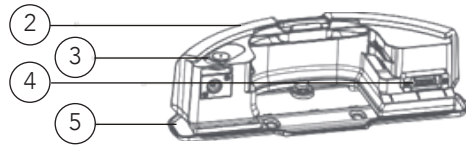
- | | | | |
|----|----------------|----|----------------------|
| 1. | Sensor | 6. | Børste |
| 2. | Tænd/sluk-knap | 7. | Opladningselektroder |
| 3. | Hjem-knap | 8. | Børstedæksel |
| 4. | Cover | 9. | Moppeholder |
| 5. | Sidebørste | | |

PRODUKTOVERSIGT – DETALJERET

ROBOT

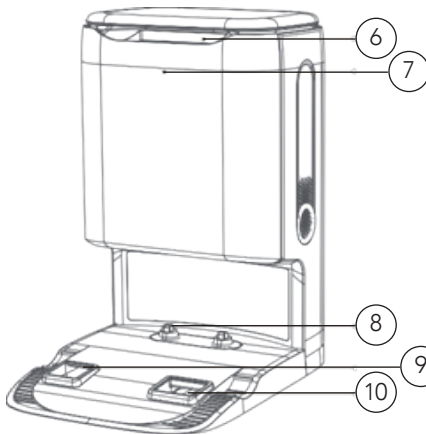


VIBRENDE VANDBEHOLDER

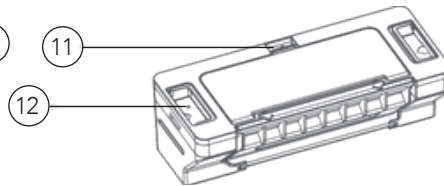


STØVBEHOLDERSTATION

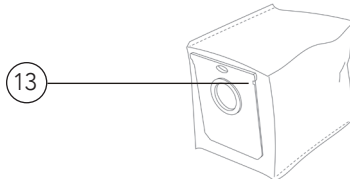
(Medfølger i RVC-D4000SL+ eller købes separat)



STØVBEHOLDER



STØVPOSE





DK

1. Nulstil
2. Fastgøring
3. Vandindtag
4. Vandbeholder metalpol
5. Moppe
6. Filter
7. Indikator

8. Opladningselektrode
9. Luftudtag
10. Støvindtag
11. Fastgøring
12. Lås
13. Støvpose

PRODUKTOVERSIGT – LYS OG KNAPPER

Blåt lys er altid tændt	Standby/Normal drift/ WiFi er tilsluttet
Blåt lys pulserer	Oplader, Spændingen er højere end 20%
Blåt lys blinker	Firmware opgradering i gang/ Nulstilling til fabriksindstillinger/ Tilslutning til netværket
Gult lys er altid tændt	WiFi er offline
Gult lys pulserer	Genopladning/Spændingen er lavere end 20 %
Gult lys blinker	Oplader
Rødt lys blinker	Unormal indstilling
 Tænd/sluk-knap	Hold tænd/sluk-knappen inde i 3 sek. Kort tryk, start eller pause.
 Genopladningsknap	Tryk kort på knappen i driftsindstilling for at sætte rengøringen på pause. Tryk kort på knappen for genopladning i pauseindstilling. Tryk kort på knappen for at stoppe genopladning i opladningsindstilling.

DK

INSTALLATION


Opladerstationen installeres ved at placere den op ad væggen og tilslutte strømledningen. Der skal være tilstrækkelig plads foran og ved siden af opladeren.

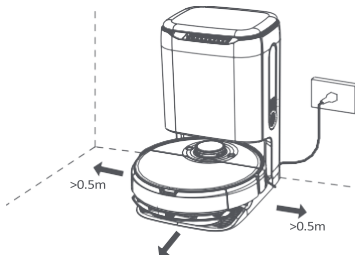
Installation af den automatiske støvbeholder. Placér støvbeholderen op ad væggen, og tilslut strømledningen.

Bemærk:

- Undgå at placere støvbeholderen i direkte sollys.
- Den automatiske støvbeholder kræver mere end 1,5 meter plads foran og mere end 0,5 meter plads på begge sider.
- Strømledningen må ikke placeres på en måde, så robotten kan trække i den.

TÆND OG OPLAD

Sæt robotten på basen, og juster opladningselektroderne med opladningskontakten. Ved daglig brug kan du starte intelligent genopladning ved at trykke kort på  knappen

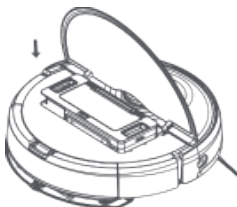


- Robotten kan ikke starte op, når strømniveauet er lavt. Sæt den på basen for at genoplade den.
- Robotten starter automatisk, når den er sluttet til basen, og kan ikke slukkes, mens den oplader.

FEJEINDSTILLING

Åbn låget, indsæt støvbeholderen og tryk den ned.

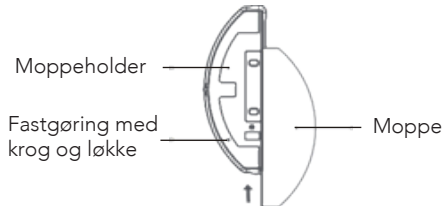
Bemærk: Rengør støvbeholderen regelmæssigt, hvis snavs påvirker rengøringseffekten.



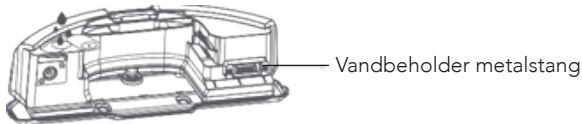
DK

MOPPEINDSTILLING

1. Sæt moppen ind i rillen på moppeholderen, og sæt den fast på krogen og løkken.



2. Åbn dækslet til vandbeholderen, fyld vandbeholderen, og sæt dækslet på vandbeholderen igen.

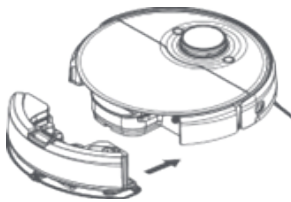


DK

Bemærk:

- Brug ikke opløsningsmidler, desinfektionsmidler, faste rengøringsmidler eller andre rengøringsmidler, og injicer ikke varmt vand i vandbeholderen i tilfælde af korrosion og beskadigelse af vandbeholderen.
- Vandbeholderen må ikke bruges eller lægges i blød. Vandbeholderens metalstang skal være tør, før der udføres en moppeopgave.

3. Skub vandbeholderen ind i bunden af robotten, og der lyder et "klik", når den er sat på plads.



Bemærk:

- Når gulvet moppes, skal der være oprettet virtuelle vægge eller forbudte zoner i tæppeområdet.
- Inden du starter feje-/moppefunktionen, skal du fjerne evt. vand, der har samlet sig på gulvet.

BRUG AF APP

VALG AF RENGØRINGSINDSTILLING/NIVEAU

Du kan vælge forskellige rengøringsfunktioner og vandgennemstrømningshastigheder.

FORSTYR IKKE-INDSTILLING (DND)

Når Forstyr ikke-indstillingen er aktiveret, er det ikke muligt at fortsætte ved pausepunktet, planlagt rengøring og aktiv stemmerapportering i robotten. Forstyr ikke-indstillingen er aktiveret som standard i tidsrummet 22.00 til 7.00. Forstyr ikke-indstillingen kan deaktiveres i appen.

RENGØRINGSINDSTILLING UDEN KORT

Når der ikke er lagret et kort, begynder robotten at rengøre hver zone med et kvadratisk område på 6 m×6 m. Når et kort er gemt, begynder robotten automatisk at rengøre hvert rum på den planlagte rute og vender tilbage til basen efter afslutning.

GEMT KORT

Når et kort er aktiveret i appen, gemmer og opdaterer robotten kortet, når rengøringsopgaven er afsluttet, og genopladning er gennemført. Når et kort er færdigt, kan du opdele eller samle zoner eller navngive de enkelte rum i appen.

RENGØRING AF KANTER

Når du vælger rengøring af kanter i appen, genkender robotten automatisk den del af området, der skal rengøres, og begynder at rengøre langs kanterne og vender automatisk tilbage til basen, når rengøringen er afsluttet.

RENGØRINGSINDSTILLING FOR SPECIFICERET OMRÅDE

Når et område, der skal rengøres, er angivet i appen, rengør robotten det angivne område. **Bemærk:** Under rengøring kan robotten gå ud over et defineret område. Fjern evt. forhindringer på gulvet inden for det definerede område, da definition af et område ikke sikrer sikker adskillelse.

RENGØRINGSINDSTILLING MED FAST PUNKT

Når du vælger rengøring med fast punkt og har valgt et målpunkt i appen, dirigerer robotten rengøringsopgaven og starter rengøringen inden for et rektangulært område på 2 m × 2 m baseret på den målposition, der er defineret på kortet i appen.

PLANLAGT RENGØRINGSINDSTILLING

Brugeren kan planlægge en rengøringsopgave i appen, og robotten starter rengøringsopgaven som planlagt og vender tilbage til basen, når opgaven er afsluttet. **Bemærk:** Planlagte rengøringsopgaver udføres ikke i det tidsrum, hvor Forstyr ikke-indstillingen er aktiveret.

DK

VIRTUEL VÆG/FORBUDT OMRÅDE

Brugeren kan definere en virtuel væg/begrænset område i appen, så robotten undgår rengøring her. **Bemærk:** Inden du bruger denne funktion, skal du gemme et kort i appen. Flytning af robotten eller ændring af det indendørs område kan medføre, at tab af det oprindelige kort, og at virtuelle vægge/begrænsede områder ikke er tilgængelige.

NULSTIL/GENDAN SYSTEM

- Tryk på Reset-knappen i 3 sek. for at nulstille til fabriksindstillinger, eller seneste version af firmwaren.
- Hvis du trykker på Reset-knappen i 10 sek., slettes alle oplysninger om netværksforbindelsen, kortoplysninger, oplysninger om planlagte opgaver og forstyr ikke samt oplysninger om tilpasning, og sugstyrken nulstilles til standardniveaet.

DK

Bemærk: Efter nulstilling/gendannelse af systemet skal robotten genoprettes i appen, og de relevante indstillinger i appen fjernes.

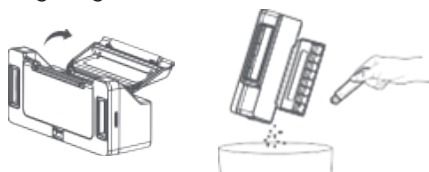
VEDLIGEHOLDELSE OG RENGØRING

STØVBEHOLDER

1. Åbn dækslet, tryk på støvbeholderens lås, og tag støvbeholderen ud.



2. Bortskaf affaldet i støvbeholderen, og rengør beholderen med en rengøringsbørste.



3. Fjern støvbeholderens dæksel, tag filteret ud, bortskaf affaldet, og rengør filteret.

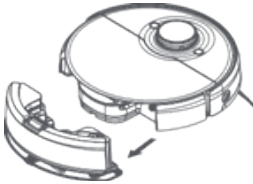


Bemærk:

- Det anbefales at rengøre støvbeholderen mindst én gang om ugen. Tør støvbeholderen og filteret inden brug (mindst 24 timer)
- Støvbeholderen må ikke vaskes med vand, da det kan beskadige de elektriske komponenter.

VIBRERENDE BEHOLDER

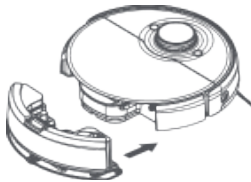
1. Tryk tanklåsen ned og træk tanken vandret ud, som vist på figuren.



2. Drej dækslet til plastbeholderen, tøm eventuelt resterende vand ud, og monter dækslet igen.

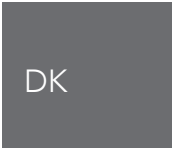
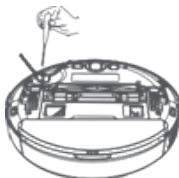


3. Monter tanken korrekt som vist på figuren.



SIDEBØRSTE

1. Vend robotten om, og skru sidebørstens monteringskruer ud.
2. Tag sidebørsten ud, og rengør den.
3. Sæt sidebørsten på igen, og stram skruerne.



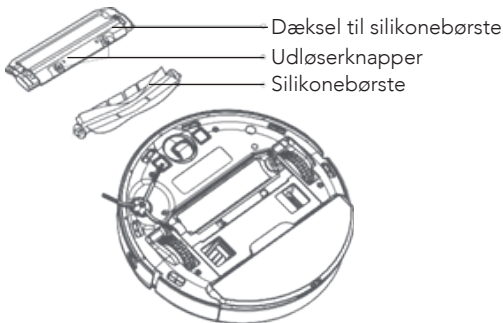
Bemærk: Det anbefales at udskifte sidebørsten hver 3.-6. måned for at opretholde rengøringseffekten.

SILIKONEBØRSTE

1. Vend robotten, tryk på de to udløserknapper, og hold dem inde for at fjerne dækslet til silikonebørsten.
2. Tag hovedbørsten ud opad.
3. Brug kniven på rengøringsbørsten til at skære de filtrede hår på silikonebørsten over, og rengør hovedbørsten.
4. Sæt hovedbørsten, silikonebørsten og dækslet til silikonebørsten på igen, og tryk dækslet på plads for at montere det.

Bemærk: Det anbefales at udskifte silikonebørsten hver 6.-12. måned for at opretholde rengøringseffekten.

DK



BØRSTERENGØRINGSMETODE

Brug det medfølgende rengøringsudstyr.



Klip hårene



Rens filteret

TRAPPESENSOR

Brug en blød, tør klud til at rengøre trappesensoren hver 3. måned.



Trappesensor

OPTISK SENSOR

Robotten indeholder en optisk præcisionssensor: 3D ToF-sensor. Rengør disse sensorer med en blød og støvfri klud for at fjerne snavs eller støv på dem, hvilket kan forringe robotens evne til at undgå forhindringer, hvis der ophobes kraftigt.

Bemærk: Brug ikke kemikalier som f.eks. opløsningsmiddel eller spray til at rengøre sensoren.



FEJLFINDING

Problem	Løsning
Tænder ikke	<ol style="list-style-type: none"> 1. Batteriniveaueet er lavt 2. Den omgivende temperatur er for lav (under 0 °C) eller for høj (over 35 °C)
Robotten begynder ikke at feje	Lavt batteriniveau. Oplad til fuldt batteriniveau
Robotten kan ikke returnere til opladning	<ol style="list-style-type: none"> 1. For mange barrierer omkring autorensningsbasen. Anbring den autorensningsbasen et sted, hvor den ikke er blokeret. 2. Robotten er for langt fra autorensningsbasen. Anbring robotten i nærheden af autorensningsbasen, og prøv igen.
Unormale robothandlinger	Sluk og genstart robotten
Unormal lyd under rengøring	Kontrollér og rengør hovedbørsten, sidebørsten, venstre/højre hjul for fremmedlegemer, når maskinen er slukket.
Rengøringseffekten forringes, eller den taber støv	<ol style="list-style-type: none"> 1. Støvbeholderen er fuld. Tøm støvbeholderen. 2. Filter blokeret. Rengør filteret. 3. Hovedbørsten er blokeret af fremmedlegemer. Rengør hovedbørsten.

DK

DK

Robotten er offline	<ol style="list-style-type: none"> 1. Dårlig WiFi-dækning. Robotten kræver god WiFi-dækning. 2. WiFi-forbindelsen svigter. Nulstil WiFi-forbindelsen, download den nyeste app, og prøv igen.
Robotten fortsætter ikke ved pausepunktet	<ol style="list-style-type: none"> 1. "Forstyr ikke"-indstilling må ikke være aktiveret, da det afbryder fortsættelse ved pausepunktet. 2. Det er ikke muligt at fortsætte ved pausepunktet, hvis genopladningen startes manuelt ved at foretage handlinger i appen eller ved at trykke kort på genopladningsknappen, eller apparatet flyttes til autorensningsbasen.
Kunne ikke oplade	Der skal være tilstrækkelig plads omkring autorensningsbasen, og der må ikke være støv eller blokering på elektrodens overflade på autorensningsbasen
Manglende udførelse af planlagt rengøring	<ol style="list-style-type: none"> 1. Udstyret skal være tilsluttet netværket, da afbrydelse fra netværket vil mislykkes med synkronisering og planlagt rengøring. 2. "Forstyr ikke"-indstilling må ikke være aktiveret, da det deaktiverer planlagt rengøring.
Robotten er altid offline	Robotten skal konfigureres til netværket, og at robotten skal altid være inden for WiFi-signalets dækningsområde.
Robotten kan ikke oprette forbindelse til appen	Robotten og autorensningsbasen skal befinde sig i området med et godt WiFi-signal, nulstil WiFi i som beskrevet i betjeningsvejledningen, og foretag ny paring.

FEJLMEDDELELSER

Fejlmeddelelser	Løsning
Anbring robotten på et vandret underlag, og start den.	Det registreres, at robotten står på skrå. Placer robotten på et vandret underlag, og start den, eller udfør en nivellering i appen, og genstart robotten.
Sæt robotten på gulvet for at starte	Hjulet er affjedret. Flyt til den nye position for at starte.
Start rengøringsopgaven igen efter en lang afstandsforskydning	Manuel flytning af robotten vil medføre, at routingen mislykkes. Start rengøringsopgaven igen.
Laserradaren er filtret eller sidder fast. Rengør den.	Radaren er filtret af fibre. Fjern eventuelle fibre.
Laserafstandssensoren må ikke være blokeret, inden du starter.	Laserafstandssensoren er blokeret eller sidder fast på grund af fremmedlegemer. Fjern blokering eller fremmedlegemer. Hvis fjernelse ikke er mulig, skal robotten flyttes og derefter startes.
Sensoren til visuel genkendelse må ikke blokeres.	Sensoren til visuel genkendelse er blokeret eller sidder fast på grund af fremmedlegemer. Fjern blokering eller fremmedlegemer. Hvis fjernelse ikke er mulig, skal robotten flyttes og derefter startes.
Kontrollér, at sensoren til visuel genkendelse ikke er blokeret.	Sensoren til visuel genkendelse er blokeret eller fyldt med fremmedlegemer. Fjern det blokerede objekt eller fremmedlegemer. Hvis den ikke kan rengøres, skal du flytte værten til en ny placering for at starte.
Rengør trappesensoren, og flyt den til en ny position for at starte den.	Robotten er ikke på gulvet. Flyt og genstart robotten. Trappesensoren er snavset. Rengør trappesensoren
Kontrollér antikollisionssensoren, og fjern eventuelle fremmedlegemer på den.	Antikollisionssensor sidder fast. Fjern fremmedlegemer ved at banke let på sensoren. Hvis der ikke er fremmedlegemer, skal robotten flyttes og genstartes.
Rengør kant-IR-sensoren.	Kant-IR-sensoren kan være fastgjort med fremmedlegemer. Rengør den.

DK

TOF-sensoren svigter. Kontrollér og rengør antikollisionssensoren.	Frontsensoren kan være fastgjort med fremmedlegemer. Rengør den.
Rengør overfladerne på den forreste del af robotten og den nederste sensor for at fjerne støv.	Frontsensor, kant-IR-sensor eller trappesensor er støvet. Rengør dem.
Trappesensoren svigter. Rengør den, og flyt robotten til en ny position for at starte.	Trappesensoren kan være fastgjort med fremmedlegemer eller snavs. Rengør den, og flyt robotten til en ny position for at starte den.
Laserradar er blokeret. Kontrollér laserradaren	Radaren på det øverste tårn er blokeret, og routing mislykkes. Fjern blokeringen.
Støvbeholderen har ikke været i rengjort i længere tid. Rengør den straks.	Støvbeholderen er fuld. Tøm den.
Virtuel væg eller forbudt område registreret. Flyt robotten ud af dette område.	Robotten befinder sig ved en virtuel væg eller et forbudt område. Flyt den ud af dette område.
Apparatet sidder fast. Fjern eventuelle forhindringer omkring enheden, og prøv igen. Sæt apparatet tilbage på basen.	Robotten bliver fanget af forhindringer omkring den. Fjern eventuelle forhindringer. Robotten kan ikke finde basen. Anbring den manuelt på basen.
Der registreres et nyt område. Genstart rengøringsopgaven.	Robotten befinder sig i et nyt område, og der er endnu ikke oprettet et kort. Genstart støvsugningsopgaven.

DK

DK



GARANTI

DK

Wilfa yder 5 års garanti på dette produkt fra købsdagen. Garantien dækker produktionsfejl eller mangler, der opstår i garantiperioden. Din kvittering fungerer som dokumentation over for forhandleren, hvis du ønsker at benytte din garanti.

Garantien gælder kun for produkter, der er købt til og bruges i private husstande. Garantien gælder ikke, hvis produktet bruges kommercielt. Garantien gælder ikke, hvis produktet er misbrugt, forsømt, vejledningen fra Wilfa ikke er fulgt, produktet er ændret, eller der er foretaget uautoriseret reparation. Garantien gælder heller ikke for normalt slid på produktet, misbrug, manglende vedligeholdelse, brug af forkert spænding eller:

- Overbelastning af produktet
- Dele, der normalt bliver slidt
- Dele, der kan forventes udskiftet regelmæssigt (f.eks. filter, batteri osv.)

Brugervejledningen er også tilgængelig på vores hjemmeside; wilfa.com

PRODUKTSPECIFIKATIONER

Størrelse	350 x 97 mm
Effekt	55 W
Spænding	14,8V
Opladespænding	20 V
Batterikapacitet:	
SL, AI, SL+	6400 mAh

SUPPORT OG RESERVEDELE

Hvis du har brug for support, kan du finde vores kundeservice/supportside på **Wilfa.com**. Her finder du ofte stillede spørgsmål, reservedele, tips og tricks og alle vores kontaktoplysninger.

DK

GENANVENDELIGHED



Dette mærkat angiver, at produktet ikke må bortskaffes sammen med andet husholdningsaffald nogen steder i EU. For at undgå potential skade på miljøet eller menneskers sundhed pga. ukontrolleret bortscaffelse af affald, skal produktet genanvendes på korrekt vis for at fremme bæredygtig genanvendelse af materielle ressourcer. Brug retur- og indsamlingssystemerne til genanvendelse af den brugte enhed, eller kontakt den forhandler, hvor du købte produktet. De kan tage dette produkt til en miljøvenlig genanvendelse uden beregning.

FI

SISÄLLYS

- 102 TURVALLISUUSOHJEET
- 104 AKKU JA LATAUS
- 105 YMPÄRISTÖNSUOJELUOHJEET
- 106 VASTUUVAPAAUSLAUSEKE
- 107 TUOTEKUVAUS – YLEISTÄ
- 108 TUOTEKUVAUS – PÖLYNIMURI
- 109 TUOTTEEN KUVAUS – YKSITYISKOHTAISET TIEDOT
- 110 TUOTTEEN KUVAUS – VALOT JA PAINIKKEET
- 111 ASENTAMINEN
- 113 SOVELLUKSEN KÄYTTÖ
- 114 HUOLTO JA PUHDISTUS
- 117 VIANMÄÄRITYS
- 119 VIKAVIESTIT
- 122 TAKUU
- 123 TUOTETIEDOT
- 123 TUKI JA VARAOSAT
- 123 KIERRÄTYS

FI

TURVALLISUUSOHJEET

- Kahdeksan vuotta täyttäneet lapset sekä fyysisesti, henkisesti, aisteiltaan tai tietämykseltään rajoittuneet tai kokemattomat henkilöt voivat käyttää laitetta, jos heitä valvotaan tai heitä on neuvottu käyttämään laitetta turvallisesti ja he ymmärtävät sen käyttämiseen liittyvät vaarat. Älä anna lasten leikkiä laitteella. Lapset eivät saa puhdistaa tai huoltaa laitetta ilman valvontaa.
- Tämä tuote on tarkoitettu käytettäväksi vain lattioiden puhdistamiseen kotiympäristössä. Sitä ei tule käyttää ulkotilojen, muiden kuin lattioiden, liiketilojen tai teollisuusympäristöjen puhdistamiseen.
- Älä anna lasten leikkiä laitteella. Varmista, että lapset ja lemmikit pysyvät mahdollisimman kaukana laitteesta sen ollessa käynnissä.
- Jos virtajohto on vahingoittunut, se on vaihdettava valmistajalta tai huollosta ostettuun erityiseen johtoon tai osaan.
- Älä anna lasten tai lemmikkieläinten milloinkaan istua laitteen päällä.
- Älä käytä robotin lasertutkan suojakantta kahvana.

- Älä käytä laitetta korotetuissa ympäristöissä ilman suoja-aitoja (kuten kahdella eri korkeudella olevat lattiapinnat, avoimet parvekkeet ja huonekalujen ylälevyt).
- Älä käytä laitetta ympäristössä, jonka lämpötila on yli 35 °C tai alle 0 °C, tai jos pinnalla on nesteitä tai tahmeita asioita.
- Älä käytä laitetta palavien kohteiden puhdistamiseen.
- Ennen käyttöä järjestä lattialla olevat johdot, niin että mikään ei häiritse laitteen liikettä.
- Siirrä lattialla olevat helposti särkyvät esineet ja sekalaiset tavarat (esim. maljakot ja muovipussit) muualle arvoesineiden vahingoittumisen välttämiseksi laitteen jumiin jäämisen tai törmäämisen vuoksi.
- Älä käytä moppaustilaa matolla. Mopatessasi lattiaa määritä mattoalueen ympärille virtuaaliset seinät tai määritä matto kielletyksi alueeksi.
- Älä anna laitteen imeä itseensä kovia tai teräviä esineitä (esim. koriste-esineiden sirpaleita, lasia, nauvoja).
- Katkaise laitteesta virta ennen puhdistus- ja huoltotoimenpiteitä.

- Älä käännä laitetta ylösalaisin pidemmäksi aikaa.
- Mahdollisen kuljetuksen ajaksi varmista, että laite on sammutettu. On suositeltavaa käyttää alkuperäistä pakkauslaatikkoa.

AKKU JA LATAUS

- Älä käytä kolmannen osapuolen akkua, virtajohtoa tai asemaa.
- Älä pura, korjaa tai muuta akkua tai asemaa ilman lupaa.
- Älä sijoita automaattista puhdistusasemaa lämmönlähteen (esim. lämpöpatterin) lähelle.
- Ennen laitteen viemistä romutettavaksi virtalähde on kytkettävä irti ja akku irrotettava laitteesta.
- Jos laitetta ei aiota käyttää pitkään aikaan, lataa se täyteen ja katkaise siitä virta. Säilytä laitetta viileässä ja kuivassa paikassa.
- Suosittelemme lataamaan akun vähintään kerran kuukaudessa.

FI

YMPÄRISTÖNSUOJELUOHJEET

Seuraavat tiedot koskevat vain robotin hävittämistä, ne eivät ole käyttöohjeita:

Tuotteenkiinteän litiumioniakun sisältämät kemialliset


aineet saastuttavat ympäristöä. Poista akku ennen laitteen hävittämistä ja toimita se valtuutettuun kierrätyspisteeseen.

Akun poistaminen:

1. Anna robotin olla käynnissä, kunnes sen virta on vähissä eikä se enää pysty jatkamaan siivoamista palaamatta automaattiseen puhdistusasemaan.
2. Kytke robotti pois päältä.
3. Poista robotin pohjalevy.
4. Paina solkea ja vedä akun liitinpistoke ulos. Ota sitten akku ulos.
5. Irrota akun suojalevy ja poista akku.

HUOM.:

- Kun irrotat akun, varmista, että se on tyhjä ja että robotti ei ole ollut latausasemalla.
- Käsittele koko akkuyksikköä yhtenä osana. Älä vahingoita akkuyksikön koteloa, muuten vaarana on oikosulku tai vaarallisten aineiden vuotaminen ulos.
- Jos kosketat akkunestettä, huuhtelee runsaalla vedellä ja hakeudu välittömästi lääkärin hoitoon.

- Tässä laitteessa on akut, jotka saa vaihtaa vain ammattihenkilö.
- VAROITUS! Käytä akun lataamiseen vain laitteen mukana tulevaa irrotettavaa virransyöttölaitetta.
- Lataamiseen vain laitteen mukana tulevaa irrotettavaa virransyöttölaitetta D4000, tai RVCD-D17.
- Irrotettavaa virran syöttölaitetta 

VASTUUVAPAAUSLAUSEKE

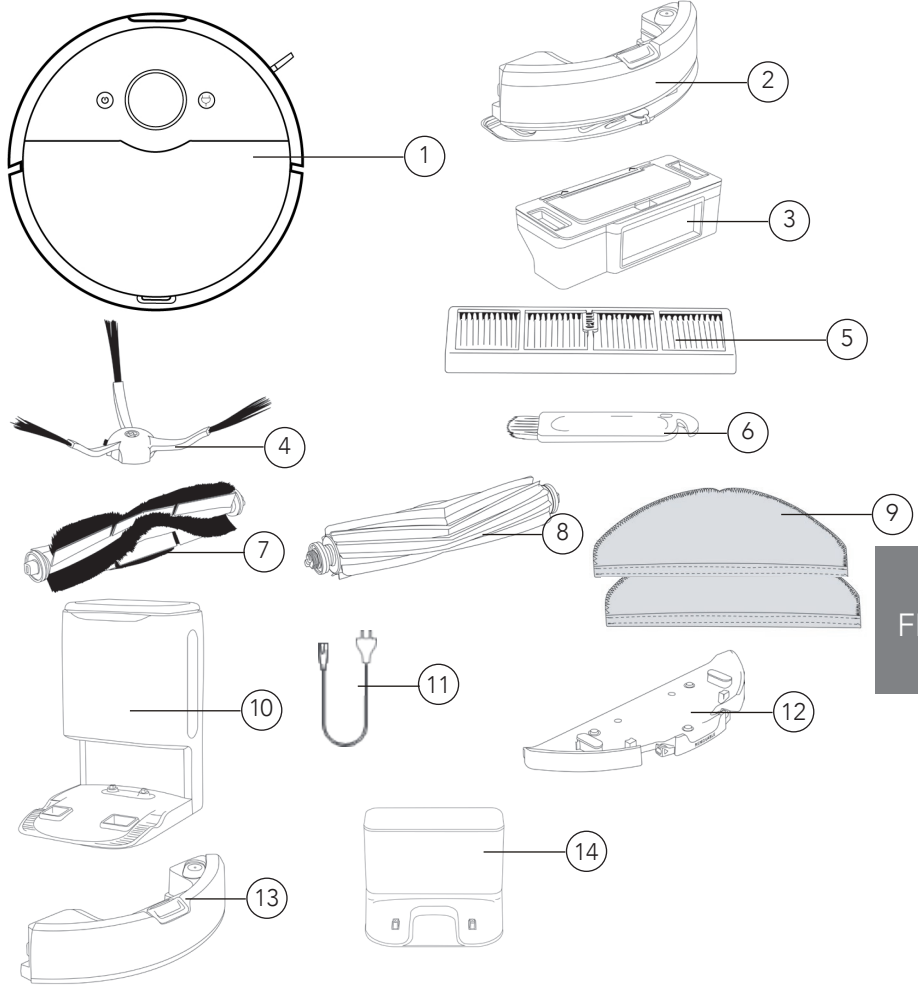
FI

Markkinoilla on yhä enemmän älypuhelinlajeja. Järjestelmän suorituskyky voi vaihdella käyttöjärjestelmän ja puhelimen mallin mukaan. Alalla tapahtuvat muutokset voivat myös vaikuttaa suorituskykyyn. Vaikka odotammekin sovelluksen toimivan hyvin useimmissa tapauksissa, sen odotettua suorituskykyä ei voida taata. Vaikka sovellus toimii todennäköisesti pitkään vanhoilla laitteisto- ja ohjelmistoversioilla, puhelimen käyttöjärjestelmä on pidettävä ajan tasalla, jotta sovellus varmasti toimii.

Vähimmäisvaatimus tammikuu 2023:

- iOS 14.00
- Android 10.0

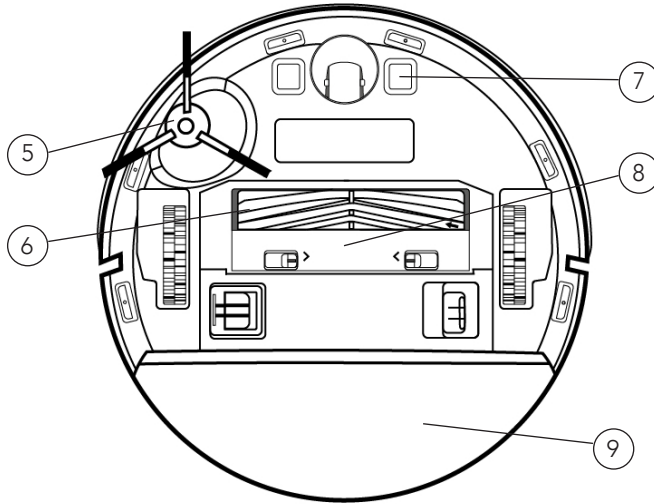
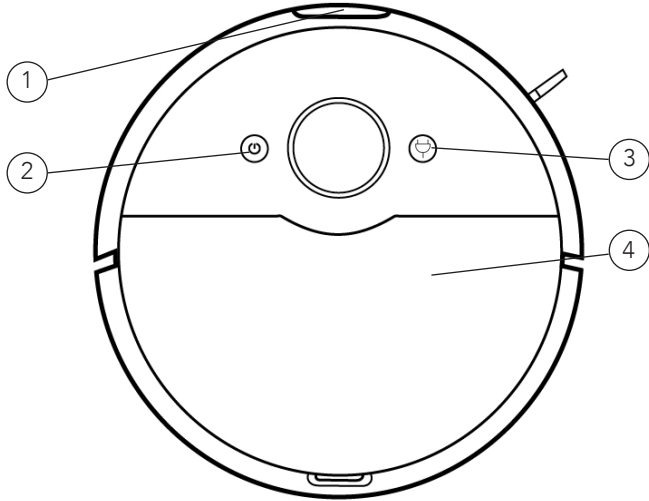
TUOTEKUVAUS – YLEISTÄ



1. Robotti-imuri
2. Lisävarusteet:
3. Vesisäiliö (ei sisälly RVC-D4000LIN-malliin)
4. Sivuharja
5. Suodatinverkko
6. Puhdistustyökalu
7. All-round harja
8. Silikoniharja

9. Moppi
10. Pölysäiliöasema (sisältyy RVC-D4000SL+-malliin) (voidaan ostaa erikseen)
11. Virtajohto
12. Irrotettava moppilevy
13. Vesisäiliö
14. Latausasema D4000

TUOTEKUVAUS – PÖLYNIMURI

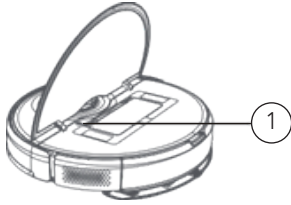


FI

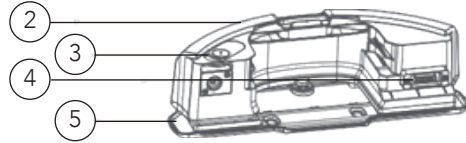
- | | | | |
|----|--------------|----|------------------|
| 1. | Anturi | 6. | Harja |
| 2. | Virtapainike | 7. | Latauselektrodit |
| 3. | Kotipainike | 8. | Harjan suojus |
| 4. | Kansi | 9. | Mopin pidike |
| 5. | Sivuharja | | |

TUOTTEEN KUVAUS – YKSITYISKOHTAISET TIEDOT

ROBOTTI

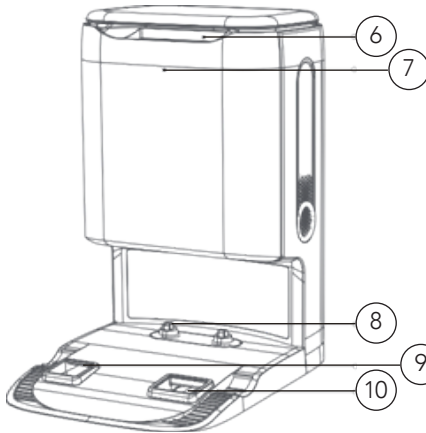


VESISÄILIÖ

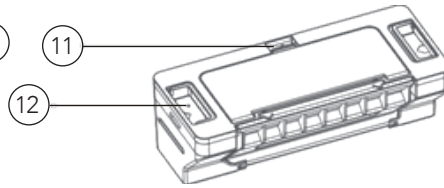


PÖLYSÄILIÖASEMA

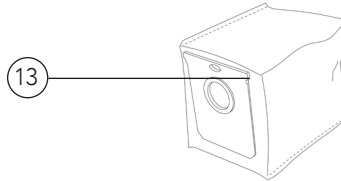
(Sisältyy RVC-D4000SL+-malliin tai myydään erikseen)



PÖLYSÄILIÖ





PÖLYPUSSI



- | | | | |
|----|--------------------------|-----|------------------|
| 1. | Nollaus | 8. | Latauselektrodi |
| 2. | Kiinnitin | 9. | Ilmanpoistoaukko |
| 3. | Vedentulo | 10. | Pölyaukko |
| 4. | Vesisäiliön metallitanko | 11. | Kiinnitin |
| 5. | Moppi | 12. | Lukko |
| 6. | Suodatinverkko | 13. | Pölypussi |
| 7. | Merkkivalo | | |

FI

TUOTTEEN KUVAUS – VALOT JA PAINIKKEET

Valkoinen valo palaa jatkuvasti	Valmiustila / Normaali toiminta / Wi-Fi yhdistetty
Valkoisen valo sykkii	Uudelleenlataus käynnissä / Varaustaso on yli 20 %
Valkoinen valo vilkkuu	Laiteohjelmiston päivitys käynnissä / Tehdasasetusten palautus käynnissä / Yhdistetään verkkoon
Keltainen valo palaa jatkuvasti	Wifi on offline-tilassa
Keltainen valo sykkii	Uudelleenlataus käynnissä / Varaustaso on alle 20 %.
Keltainen valo vilkkuu	Lataus käynnissä
Punainen valo vilkkuu	Epänormaali tila
 Virtapainike	Pitkä painallus kolmen sekunnin ajan, virta päälle tai pois päältä. Lyhyt painallus, käynnistä tai keskeytä.
 Latauspainike	Käyttötilassa lyhyt painallus, robotti keskeyttää puhdistuksen. Taukotilassa lyhyt painallus, uudelleenlatauksen aloitus. Lataustilassa lyhyt painallus, uudelleenlatauksen lopetus.

ASENTAMINEN


Aseta latausasema seinää vasten ja kytke virtajohto. Varmista, että latausaseman edessä ja sivuilla on riittävästi tilaa.

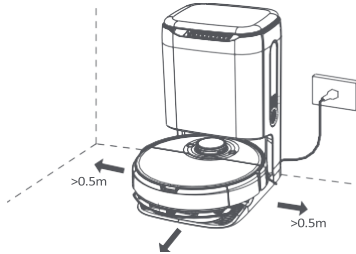
Automaattisen puhdistusaseman asentaminen. Aseta puhdistusasema seinää vasten ja liitä virtajohto.

Huom.:

- Älä aseta puhdistusasemaa suoraan auringonvaloon.
- Automaattinen puhdistusasema edellyttää yli 1,5 metriä tilaa edessä ja yli 0,5 metriä tilaa molemmilla puolilla.
- Varmista, että virtajohtoa ei aseteta paikkaan, jossa imuri voisi vetää sitä.

VIRRRAN KYTKEMINEN JA LATAUS

Aseta robotti asemaan ja kohdista latauselektrodit latauskoskettimeen. Päivittäisessä käytössä voit käynnistää älykkään latauksen painamalla  painiketta lyhyesti.

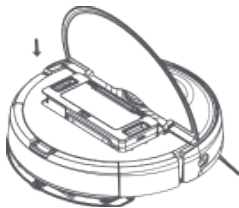


- Robotti ei käynnisty, jos sen varaustaso on alhainen. Aseta se asemaan latautumaan.
- Robotti käynnistyy automaattisesti asemalle tulon jälkeen, eikä sitä voi sammuttaa uudelleenlataamisen aikana.

LAKAISUTILA

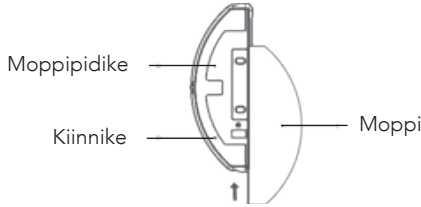
Avaa kansi, aseta pölysäiliö paikalleen ja paina se alas.

Huom.: Puhdista pölysäiliö säännöllisesti, jotta sen likaisuus ei vaikuta puhdistustehoon.

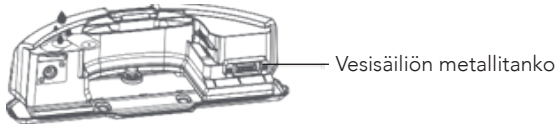


MOPPAUSTILA

1. Aseta moppi paikalleen moppipidikkeen uraa pitkin ja kiinnitä se kiinnikkeeseen.



2. Avaa vesisäiliön kansi, täytä vesisäiliö ja kiinnitä sen jälkeen vesisäiliön kansi.

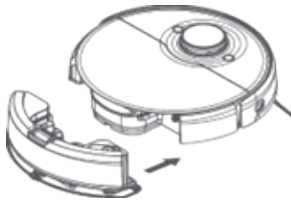


Huom.:

- Älä käytä puhdistusaineita, desinfiointiaineita, kiinteitä puhdistusaineita tai muita puhdistustuotteita äläkä lisää kuumaa vettä vesisäiliöön, jos vesisäiliö on syöpynyt tai vaurioitunut.
- Vesisäiliötä ei saa asettaa suihkun alle tai upottaa veteen. Vesisäiliön metallitangon on oltava kuiva ennen moppaamista.

FI

3. Työnnä vesisäiliö robotin pohjalle, kunnes kuulet napsahduksen.



Huom.:

- Mopatessasi lattiaa määritä mattoalueen ympärille virtuaaliset seinät tai määritä matto kielletyksi alueeksi.
- Ennen kuin käynnistät lakaisu-/moppaustoiminnon, varmista, että kaikki lattialle kertynyt vesi on poistettu.

SOVELLUKSEN KÄYTTÖ

PUHDISTUSTILAN/-TASON VALINTA

Voit valita erilaisia puhdistustiloja ja veden virtausnopeuksia.

EI SAA HÄIRITÄ -TILA (DND)

Kun Ei saa häiritä -tila on aktivoitu, jatkaminen pysähtymispaikasta, ajastettu puhdistus ja aktiivinen ääniraportointi eivät ole käytettävissä. Ei saa häiritä -tila on oletusarvoisesti käytössä kello 22.00–7.00 välisenä aikana. Ei saa häiritä -tila voidaan poistaa käytöstä sovelluksessa.

PUHDISTUSTILA ILMAN KARTTAA

Kun karttaa ei ole tallennettu, robotti alkaa puhdistaa jokaista vyöhykettä 6 m × 6 m neliöalueella. Kun kartta on tallennettu, robotti alkaa siivota jokaista huonetta reittiä pitkin automaattisesti ja palaa asemaan, kun reitti on suoritettu.

MUISTIKARTTA

Kun sovelluksessa aktivoidaan muistikartta, robotti tallentaa ja päivittää kartan puhdistustehtävän päätyttyä ja uudelleenlatauduttuaan. Kun kartta on suoritettu onnistuneesti, voit jakaa tai yhdistää alueita tai nimetä minkä tahansa huoneen sovelluksessa.

REUNAPUHDISTUSTILA

Kun valitset sovelluksessa reunanpuhdistustilan, robotti tunnistaa automaattisesti puhdistettavan alueen koon, aloittaa puhdistamisen reunoilta ja palaa automaattisesti asemaan puhdistuksen jälkeen.

MÄÄRITETTY ALUEPUHDISTUSTILA

Kun puhdistettava alue on määritetty sovelluksessa, robotti puhdistaa määritetyn alueen. **Huom.:** Puhdistuksen aikana robotti voi ylittää määritetyn alueen. Poista kaikki esteet määritetyn alueen lattialta.

KIINTEÄ PUHDISTUSTILA

Kun valitaan kiinteä puhdistus ja sovelluksessa on valittu kohde, robotti reitittää puhdistustehtävän ja aloittaa puhdistuksen suorakulmaisella 2 m × 2 m alueella sovelluksen kartassa määritetyn kohdesijainnin perusteella.

AJASTETTU PUHDISTUSTILA

Käyttäjä voi ajoittaa puhdistustehtävän sovelluksessa, jolloin robotti käynnistää puhdistustehtävän aikataulun mukaisesti ja palaa asemaan tehtävän päätyttyä. **Huom.:** Ajastettua puhdistusta ei suoriteta, kun Ei saa häiritä -tila on käytössä.

VIRTUAALINEN SEINÄ / KIELLETTY ALUE

Käyttäjä voi määrittää sovelluksessa virtuaalisen seinän tai kielletyn alueen, jota robotti ei puhdistaa. **Huom.:** Ennen tämän toiminnon käyttöä sinun on tallennettava kartta sovellukseen. Robotin siirtäminen tai sisäympäristön muuttaminen voi aiheuttaa alkuperäisen kartan katoamisen ja mahdollisen virtuaalisen seinän / kielletyn alueen poistumisen käytöstä.

NOLLAA/PALAUTA JÄRJESTELMÄ

- Painamalla nollauspainiketta 3 sekunnin ajan voit palauttaa tehdasasetukset ja samalla palauttaa laiteohjelmiston viimeisimpään versioon.
- Painamalla nollauspainiketta 10 sekunnin ajan laite tyhjentää kaikki verkkoyhteystiedot, karttatiedot, ajoitetut tehtävät, Ei saa häiritä -tiedot ja mukautustiedot sekä palauttaa imutehon oletustasolle.

Huom.: Kun järjestelmä on nollattu/palautettu, robotin on luotava uudelleen yhteys sovellukseen ja aiemmat asetukset poistetaan sovelluksesta.

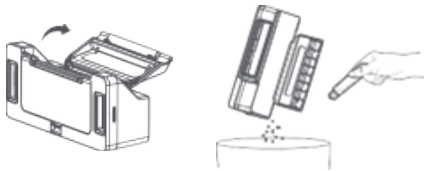
HUOLTO JA PUHDISTUS

PÖLYSÄILIÖ

1. Avaa kansi, paina pölysäiliön lukkoa ja ota pölysäiliö ulos.



2. Hävitä pölysäiliössä olevat roskat ja puhdista säiliö puhdistustyökalulla.



3. Irrota pölysäiliön kansi, poista suodatinverkko, hävitä roskat ja puhdista verkko.

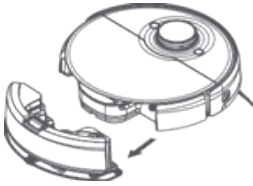


Huom.:

- On suositeltavaa puhdistaa pölysäiliö vähintään kerran viikossa. Kuivaa pölysäiliö ja suodatinverkko ennen käyttöä (vähintään 24 tuntia).
- Älä pese pölysäiliötä vedellä, sillä se voi vahingoittaa sähkökomponentteja.

VESISÄILIÖ

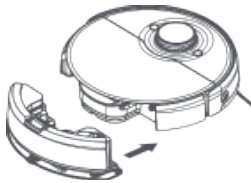
1. Paina säiliön kiinnintä alaspäin kuvan osoittamalla tavalla ja vedä säiliö ulos vaakasuoraan.



2. Käännä säiliön muovisuojusta, poista siihen mahdollisesti jäänyt vesi ja asenna suojuus paikalleen.

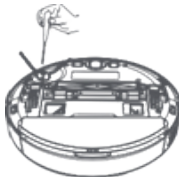


3. Asenna säiliö kuvan osoittamalla tavalla.



SIVUHARJA

1. Käännä robotti ympäri ja irrota sivuharjan kiinnitysruuvit.
2. Irrota ja puhdista sivuharja.
3. Asenna sivuharja takaisin paikalleen ja kiristä ruuvit.



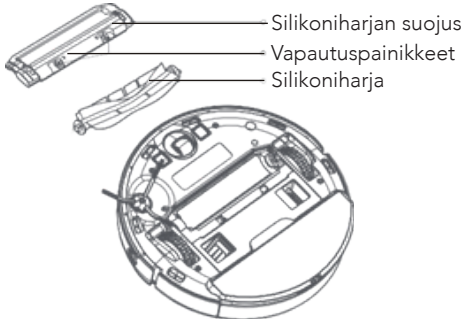
FI

Huom.: Suosittelemme vaihtamaan sivuharjan 3–6 kuukauden välein puhdistustehon varmistamiseksi.

SILIKONIHARJA

1. Käännä robotti ympäri, pidä kahta vapautuspainiketta painettuina ja irrota silikoniharjan suojus.
2. Irrota pääharja vetämällä sitä ylöspäin.
3. Leikkaa silikoniharjaan sotkeutuneet karvat puhdistustyökalun veitsellä ja puhdista pääharja.
4. Aseta pääharja, silikoniharja ja silikoniharjan suojus takaisin paikoilleen. Paina silikoniharjan suojusta sen asentamiseksi paikoilleen.

Huom.: Silikoniharja on suositeltavaa vaihtaa 6–12 kuukauden välein puhdistustehon varmistamiseksi.



FI

HARJAN PUHDISTUSMENETELMÄ

Käytä mukana toimitettua puhdistustyökalua.



Leikkaa hiukset



Puhdista lika

PUDOTUSANTURI

Puhdista pudotusanturi pehmeällä kuivalla liinalla kolmen kuukauden välein.



Pudotusanturi

OPTINEN ANTURI

Robotissa on optinen tarkkuusanturi: 3D ToF -anturi. Puhdista nämä anturit pehmeällä ja pölyttömällä liinalla lian ja pölyn poistamiseksi. Jos likaa kertyy runsaasti, robotti ei välttämättä pysty välttämään esteitä kunnolla. **Huom.:** Älä käytä anturin puhdistamiseen kemikaaleja, kuten puhdistusainetta tai suihkettä.



VIANMÄÄRITYS

Ongelma	Ratkaisut
Virran kytkeminen ei onnistu	<ol style="list-style-type: none"> 1. Akun varaustaso on alhainen 2. Ympäristön lämpötila on liian alhainen (alle 0 °C) tai liian korkea (yli 35 °C)
Robotti ei aloita lakaisua	Akun varaustaso on alhainen. Lataa akku täyteen
Robotti ei latauksen jälkeen jatka puhdistamista	<ol style="list-style-type: none"> 1. Liian monta estettä automaattisen puhdistusaseman ympärillä. Aseta automaattinen puhdistusasema esteettömään paikkaan. 2. Robotti on liian kaukana automaattisesta puhdistusasemasta. Aseta robotti lähelle automaattista puhdistusasemaa ja yritä uudelleen.
Epänormaaliit robottitoiminnot	Sammuta robotti ja käynnistä se uudelleen
Puhdistuksen aikana kuuluu epänormaali ääni	Tarkista ja poista roskat pääharjasta, sivuharjasta ja vasemmasta/oikeasta pyörästä laitteen sammuttamisen jälkeen.
Puhdistusteho on heikentynyt tai pölyä putoilee	<ol style="list-style-type: none"> 1. Pölysäiliö on täynnä. Tyhjennä pölysäiliö. 2. Suodatinverkko on tukossa. Puhdista suodatinverkko. 3. Pääharja on jumissa roskien vuoksi. Puhdista pääharja.

Robotti on offline-tilassa	<ol style="list-style-type: none"> 1. Heikko Wi-Fi-signaali. Varmista, että robotti on Wi-Fi-signaalien kantoalueella. 2. Wi-Fi-yhteys ei toimi. Nollaa Wi-Fi-yhteys, lataa uusin sovellus ja yritä uudelleen.
Robotti ei jatka pysähtymispisteestä.	<ol style="list-style-type: none"> 1. Varmista, että Ei saa häiritä -tilaa ei ole aktivoitu. Kyseinen tila estää jatkamisen pysähtymispisteestä. 2. Jatkaminen pysähtymiskohdasta ei onnistu, jos uudelleenlataus on käynnistetty manuaalisesti sovelluksen kautta tai uudelleenlatauspainiketta lyhyesti painaen tai siirtämällä laite automaattiseen puhdistusasemaan.
Lataaminen ei onnistu	Varmista, että automaattisen puhdistusaseman ympärillä on riittävästi tilaa eikä automaattisen puhdistusaseman elektrodin pinnalla ole pölyä tai esteitä.
Määräaikaish puhdistus epäonnistui	<ol style="list-style-type: none"> 1. Varmista, että laite on yhdistetty verkkoon, sillä verkkoyhteyden puuttuminen estää synkronoinnin ja aikataulun mukaisen puhdistustehtävän suorittamisen. 2. Varmista, että Ei saa häiritä -tila ei ole käytössä, sillä se poistaa ajastetun puhdistuksen käytöstä.
Robotti on aina ilman verkkoyhteyttä	Varmista, että verkko on määritetty oikein robotissa ja että robotti on aina Wi-Fi-signaalin kantaman sisällä.
Robotti ei saa yhteyttä sovellukseen	Varmista, että robotti ja automaattinen puhdistusasema ovat paikassa, jossa on hyvä Wi-Fi-signaali. Nollaa Wi-Fi-verkko käyttöoppaan ohjeiden mukaisesti ja muodosta sitten laitepari uudelleen.

VIKAVIESTIT

Vikaviestit	Ratkaisut
Aseta robotti tasaiselle alustalle ja käynnistä se.	Robotin on havaittu olevan kallellaan. Aseta robotti tasaiselle alustalle ja käynnistä se tai suorita tasaus sovelluksessa ja käynnistä sitten robotti uudelleen.
Aseta robotti alas ja käynnistä	Pyörä on ilmassa. Siirrä uuteen paikkaan ja käynnistä.
Aloita puhdistustehtävä uudelleen pitkän siirron jälkeen	Robotin siirtäminen manuaalisesti aiheuttaa reitityksen epäonnistumisen. Aloita puhdistustehtävä uudelleen.
Lasertutka on peitetty tai estetty. Puhdista se.	Kuitu estää tutkan toiminnan. Poista mahdolliset kuidut.
Varmista ennen käynnistämistä, ettei laseretäisyysanturin toimintaa ole estetty.	Roska estää laseranturin toiminnan tai peittää sen. Poista este tai roska. Jos poistaminen ei ole mahdollista, siirrä robottia ja käynnistä se sitten.
Varmista, että optista anturia ei ole estetty.	Visuaalinen anturion estetty tai peitossa roskan vuoksi. Poista este tai roska. Jos poistaminen ei ole mahdollista, siirrä robottia ja käynnistä se sitten.
Varmista, että optinen anturi ei ole estetty.	Optinen anturi on estetty tai peitetty roskien vuoksi. Poista esteenä olevat roskat. Jos sitä ei voi poistaa, siirrä asema uuteen paikkaan.
Puhdista pudotusanturi ja vie robotti toiseen paikkaan ennen käynnistämistä.	Robotti on irti maasta. Siirrä robottia ja käynnistä se uudelleen. Pudotusanturi on likaantunut. Puhdista pudotusanturi
Tarkasta törmäysanturi ja poista mahdolliset roskat.	Törmäysanturi on peitetty. Poista roska napauttamalla anturia. Jos roskaa ei ole, siirrä robotti toiseen paikkaan ja käynnistä se uudelleen.
Puhdista reuna-IR-anturi.	Reuna-IR-anturissa voi olla likaa. Puhdista se.
TOF-anturi ei toimi. Tarkista ja puhdista anturi.	Etuanturissa voi olla likaa. Puhdista se.

Puhdista robotin etuosan ja ala-anturin pinnat pölyn poistamiseksi.	Etuanturissa, reuna-IR-anturissa tai pudotusanturissa on pölyä. Puhdista se.
Pudotusanturi ei toimi. Puhdista se ja siirrä uuteen paikkaan.	Pudotusanturissa voi olla likaa. Puhdista se ja siirrä uuteen paikkaan.
Lasertutkan edessä on jotakin. Tarkasta lasertutka	Ylätornin tutkan edessä on jotakin ja reititys epäonnistuu. Poista este.
Pölysäiliötä ei ole puhdistettu pitkään aikaan. Puhdista se välittömästi.	Pölysäiliö on täynnä. Tyhjennä se.
Virtuaalinen seinä tai kielletty alue havaittu. Siirrä robotti pois kyseiseltä alueelta.	Robotti on kohdannut virtuaalisen seinän tai kielletyn alueen. Siirrä se pois alueelta.
Laite on jumissa. Poista mahdolliset esteet laitteen ympäriltä ja yritä uudelleen. Aseta laite takaisin asemaan.	Robotti on jumissa jonkin sen ympärillä olevan esteen vuoksi. Poista mahdolliset esteet. Robotti ei löydä asemaa. Aseta se manuaalisesti takaisin asemaan.
Uusi ympäristö on havaittu. Aloita puhdistustehtävä uudelleen.	Robotti on uudessa ympäristössä, eikä karttoja ole vielä luotu. Aloita imurointi uudelleen.

FI



TAKUU

Wilfa myöntää tälle tuotteelle viiden vuoden takuun ostopäivästä lukien. Takuu kattaa valmistusvirheet tai takuuajana ilmenevät viat. Ostokuitti toimii todisteena jälleenmyyjälle takuuvaatimusten esittämisen yhteydessä.

Takuu koskee ainoastaan yksityiskäyttöön ostettuja ja yksityiskäytössä olleita tuotteita. Takuu ei ole voimassa, jos tuotetta on käytetty kaupallisesti. Takuu ei ole voimassa, jos tuotetta on käytetty väärin, huolimattomasti tai Wilfan antamien ohjeiden vastaisesti tai jos tuotetta on muutettu tai korjattu valtuuttamattomalla tavalla. Takuu ei koske myöskään tuotteen normaalia kulumista, väärinkäyttöä, huollon puutetta, väärän sähköjännitteen käyttöä tai väärää säilytystapaa käytettäessä eikä:

FI

- Tuotteen ylikuormittamista
- Normaalisti kulumia osia
- Osia, joiden vaihtaminen säännöllisesti on odotettua (esim. suodatin, paristo jne.)

Käyttöohje on saatavana myös verkkosivustoltamme wilfa.fi

TUOTETIEDOT

Koko	350 x 97 mm
Nimellisteho	55 W
Nimellisjännite	14,8 V
Latausjännite	20 V
Akun kapasiteetti SL, AI, SL+	6400 mAh

TUKI JA VARAOSAT

Tukiasioissa vieraile osoitteessa **wilfa.fi** ja tutustu asiakaspalvelu- ja tukisivuumme. Sieltä löydät usein kysytyt kysymykset, varaosat, vinkit ja neuvot sekä kaikki yhteystietomme.

KIERRÄTYS



Tämä merkki osoittaa, että laitetta ei saa hävittää missään EU:n alueella talousjätteen mukana. Laite tulee kierrättää vastuullisesti ja kestävä kehityksen periaatteiden mukaisesti, jottei ympäristölle ja ihmisten terveydelle aiheudu haittaa. Kierrätä käytetty laite viemällä se keräyspisteeseen tai palauttamalla se tuotteen jälleenmyyjälle. Tällöin se käsitellään ympäristön kannalta turvallisesti.

FI

DE

INHALTSVERZEICHNIS

- 126 WICHTIGE SICHERHEITSHINWEISE
- 128 AKKU LADEN
- 129 HINWEISE ZUM UMWELTSCHUTZ
- 130 SYSTEM-HAFTUNGSAUSSCHLUSS
- 131 PRODUKTÜBERSICHT – ALLGEMEINES
- 132 PRODUKTÜBERSICHT – STAUBSAUGER
- 133 PRODUKTÜBERSICHT – DETAILLIERT
- 134 PRODUKTÜBERSICHT – LEUCHTEN UND TASTEN
- 135 INSTALLATION
- 137 VERWENDUNG DER APP
- 139 WARTUNG UND REINIGUNG
- 142 FEHLERBEHEBUNG
- 143 FEHLERMELDUNGEN
- 146 GARANTIE
- 147 TECHNISCHE DATEN
- 147 SUPPORT UND ERSATZTEILE
- 147 RECYCLINGFÄHIGKEIT

DE

WICHTIGE SICHERHEITSHINWEISE

- Dieses Gerät kann von Kindern ab 8 Jahren und Personen mit verminderten körperlichen, sensorischen oder geistigen Fähigkeiten bzw. ohne ausreichende Erfahrung und Wissen verwendet werden, wenn sie beaufsichtigt werden, eine Einweisung zur sicheren Nutzung des Geräts erhalten haben und die damit verbundenen Gefahren verstanden haben. Das Gerät ist kein Spielzeug für Kinder. Die Reinigung und Wartung darf von Kindern nicht ohne Beaufsichtigung ausgeführt werden.
- Dieses Produkt wird nur für die Bodenreinigung in häuslicher Umgebung verwendet und sollte nicht im Außenbereich, in anderen als Bodenbereichen sowie in gewerblichen oder industriellen Umgebungen verwendet werden.
- Lassen Sie nicht Kinder mit dem Gerät spielen. Bitte beaufsichtigen Sie Kinder und Haustiere, um sie während des Betriebs des Geräts so weit wie möglich fernzuhalten.
- Wenn das Netzkabel beschädigt ist, muss es durch ein spezielles Kabel oder ein spezielles Bauteil ersetzt werden, das vom Hersteller oder dessen Serviceabteilung erworben wurde.
- Lassen Sie zu keinem Zeitpunkt Kinder, Haustiere auf dem Gerät sitzen.
- Bewegen Sie diesen Saugroboter nicht mit der

DE

Schutzabdeckung des Laserradars als Griff.

- Verwenden Sie das Gerät nicht in erhöhten Bereichen ohne Schutzzaun (wie z. B. Doppelböden, offene Balkone und Möbeloberseiten).
- Verwenden Sie das Gerät nicht in einer Umgebung, in der die Temperatur über 35 °C oder unter 0 °C liegt oder in der sich Flüssigkeiten und klebrige Gegenstände auf dem Boden befinden.
- Nicht zum Reinigen von brennenden Gegenständen verwenden.
- Verlegen Sie die Kabel vor der Verwendung so auf dem Boden, dass keine Hindernisse die Gerätebewegung blockieren.
- Bitte beseitigen Sie zerbrechliche und andere Gegenstände (z. B. Vasen, Plastiktüten usw.) vom Boden, um Schäden an Wertgegenständen zu vermeiden, wenn das Gerät während des Betriebs blockiert wird oder leicht gegen die Gegenstände fährt.
- Verwenden Sie die Wischfunktion nicht auf dem Teppich. Stellen Sie beim Wischen des Bodens bitte virtuelle Wände oder Sperrzonen im Teppichbereich auf.
- Lassen Sie das Gerät keine harten oder scharfen Gegenstände (wie z. B. Dekorationsreste, Glas und Nägel usw.) aufnehmen.

DE

- Bitte reinigen und warten Sie das Gerät und die Basisstation im ausgeschalteten Zustand.
- Stellen Sie das Gerät nicht für längere Zeit auf den Kopf.
- Wenn das Gerät transportiert werden muss, stellen Sie bitte sicher, dass es ausgeschaltet ist, und es wird empfohlen, zum Schutz des Geräts die Originalverpackung zu verwenden.

AKKU LADEN

- Verwenden Sie keine Akkus, Netzkabel oder Basisstationen von Drittanbietern.
- Demontieren, reparieren oder modifizieren Sie den Akku oder die Basisstation nicht ohne Genehmigung.
- Positionieren Sie die Auto-Clean-Basis nicht in der Nähe von Wärmequellen (wie Heizkörpern usw.).
- Vor dem Entsorgen des Geräts muss die Stromversorgung getrennt und der Akku aus dem Gerät entfernt werden.
- Wenn das Gerät längere Zeit nicht benutzt wird, schalten Sie es nach dem vollständigen Aufladen aus und stellen Sie es an einem kühlen und trockenen Ort ab.
- Es wird empfohlen, den Akku mindestens einmal im Monat aufzuladen.

DE

HINWEISE ZUM UMWELTSCHUTZ

Die folgenden Informationen gelten nur für die Entsorgung dieses Saugroboters und sind keine

Betriebsanweisung für den täglichen Gebrauch:

Chemikalien, die im eingebauten Lithium-Ionen-Akku dieses Produkts enthalten sind, belasten die Umwelt. Bitte nehmen Sie den Akku heraus, bevor Sie das Gerät entsorgen, und geben Sie ihn zur Entsorgung bei einem Wertstoffhof ab.


Schritte zum Herausnehmen des Akkus:

1. Lassen Sie den Saugroboter laufen, bis seine Leistung abnimmt und nicht gereinigt werden kann, ohne die Auto-Clean-Basis zu berühren.
2. Schalten Sie den Saugroboter aus.
3. Nehmen Sie die Bodenschale des Saugroboters ab.
4. Drücken Sie die Schnalle und ziehen Sie den Anschlussstecker des Akkus heraus, dann nehmen Sie den Akku heraus.
5. Nehmen Sie die Akkuabdeckung ab und nehmen Sie den Akku heraus.

HINWEIS:

- Beim Ausbau des Akkus darauf achten, dass der Akku entladen ist und von der Basisstation weg betrieben wird.
- Bitte nehmen Sie das gesamte Akkupack zusammen heraus und beschädigen Sie das Akkupackgehäuse nicht, wenn ein Kurzschluss auftritt oder gefährliche Substanzen austreten.

DE

- Wenn Sie Akkuflüssigkeit berühren, spülen Sie diese bitte mit reichlich Wasser ab und suchen Sie sofort einen Arzt auf.
- Dieses Gerät enthält Batterien, die nur von einem Fachmann ausgewechselt werden können.
- **WARNUNG!** Verwenden Sie zum Aufladen der Batterie nur die abnehmbare Versorgungseinheit, die mit diesem Gerät geliefert wird.
- Verwenden Sie zum Aufladen der Batterie nur die abnehmbare Versorgungseinheit D4000, oder RVCD-D17.
- Abnehmbare Versorgungseinheit 

SYSTEM-HAFTUNGSAUSSCHLUSS

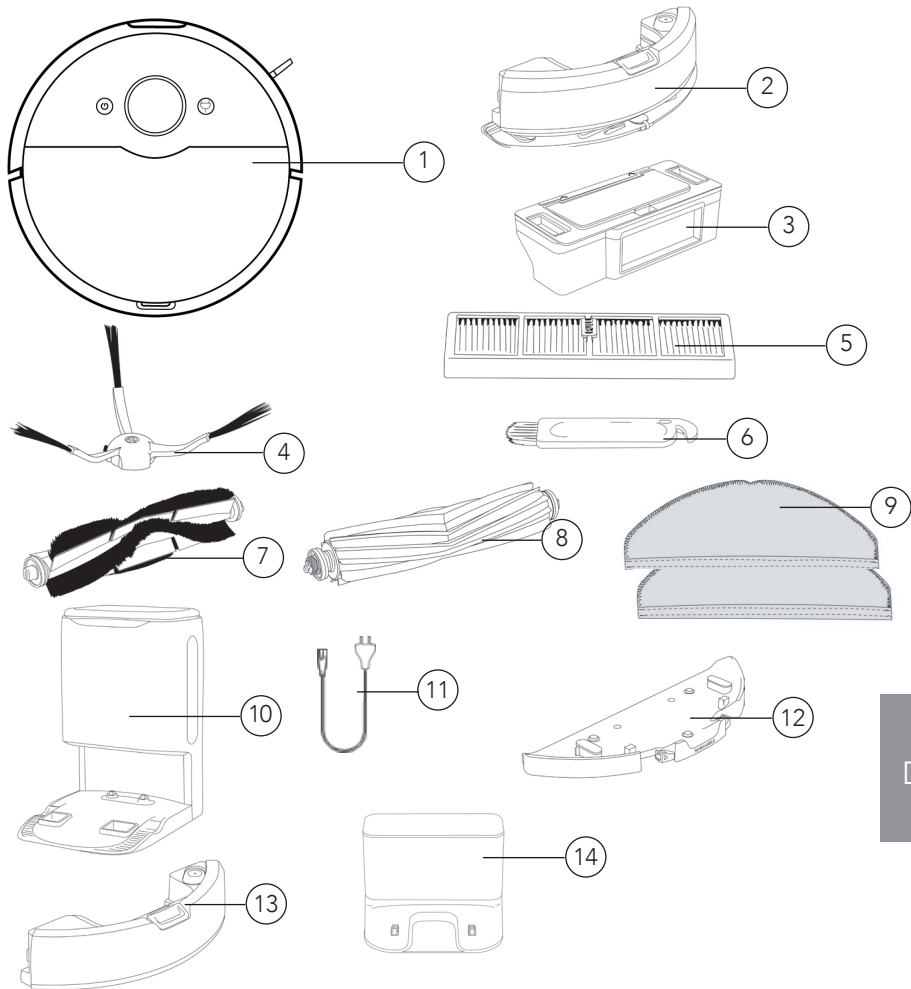
DE

Die Liste der Smartphone-Typen auf dem Markt ist lang und wächst ständig weiter. Die Systemleistung kann je nach Kombination mit dem Betriebssystem und dessen Implementierung im Smartphonemodell variieren. Veränderungen seitens der Industrie können ebenfalls Auswirkungen haben. Obwohl wir in den meisten Fällen eine gute Leistung erwarten, ist die erwartete Leistung der App daher nicht garantiert. Obwohl die App höchstwahrscheinlich für lange Zeit mit älteren Hardware- und Softwareversionen funktionieren wird, müssen Sie die Betriebssysteme Ihres Smartphones auf dem neuesten Stand halten, um sicherzustellen, dass die App voll funktionsfähig ist.

Mindestanforderung Januar 2023:

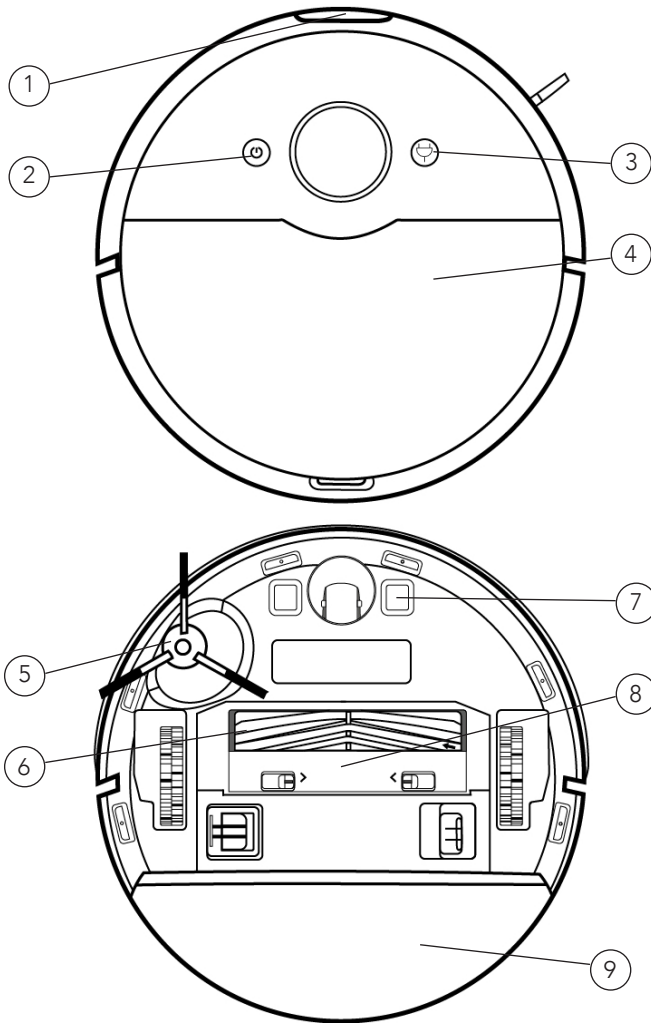
- iOS 14.00
- Android 10.0

PRODUKTÜBERSICHT – ALLGEMEINES



- | | | | |
|----|--------------------------|-----|--|
| 1. | Saugroboter
Zubehör: | 9. | Mopp |
| 2. | Vibrationswasserbehälter | 10. | Staubbehälter (beim RVC-
D4000SL+) (separat erhältlich) |
| 3. | Staubbehälter | 11. | Netzkabel |
| 4. | Seitenbürste | 12. | Abnehmbare Moppplatte |
| 5. | Filtersieb | 13. | Wasserbehälter. |
| 6. | Reinigungswerkzeug | 14. | Ladestation D4000 |
| 7. | All-roundbürste | | |
| 8. | Silikonbürste | | |

PRODUKTÜBERSICHT – STAUBSAUGER



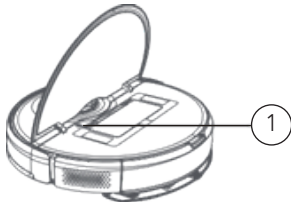
DE

1. Sensor
2. Ein/Aus-Schalter
3. Home-Taste
4. Abdeckung
5. Seitenbürste

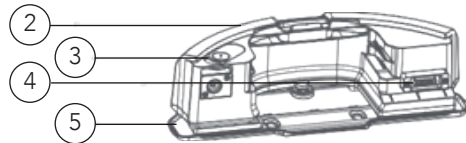
6. Bürste
7. Ladeelektroden
8. Bürstenabdeckung
9. Mophalter

PRODUKTÜBERSICHT – DETAILLIERT

ROBOTER

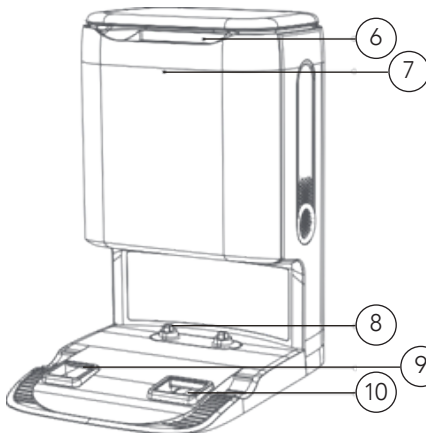


VIBRATIONSWASSERBEHÄLTER

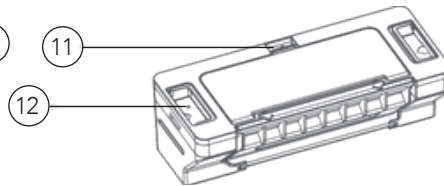


STAUBBEHÄLTERSTATION

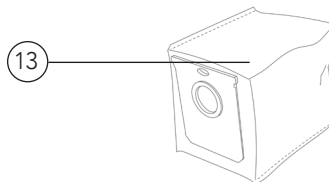
(beim RVC-D4000SL+ enthalten oder separat erhältlich)



STAUBBEHÄLTER





STAUBBEUTEL



- | | | | |
|----|-------------------------------------|-----|---------------|
| 1. | Reset | 7. | Anzeige |
| 2. | Befestigung | 8. | Ladeelektrode |
| 3. | Wassereinlauf | 9. | Luftauslass |
| 4. | Metallstange des
Wasserbehälters | 10. | Staubeinlass |
| 5. | Mopp | 11. | Befestigung |
| 6. | Filtersieb | 12. | Verschluss |
| | | 13. | Staubbeutel |

DE

PRODUKTÜBERSICHT – LEUCHTEN UND TASTEN

Blaues Leuchte leuchtet ständig	Standby/Normalbetrieb/ WLAN ist verbunden
Blaues Leuchte leuchtet abwechselnd hell und dunkel	Ladevorgang läuft/Leistung ist höher als 20 %
Blaues Leuchte blinkt	Firmware-Upgrade läuft/ Zurücksetzen auf die Werkseinstellungen/ Verbindung zum Netzwerk wird aufgebaut
Gelbe Leuchte leuchtet ständig	WLAN ist offline
Gelbe Leuchte leuchtet abwechselnd hell und dunkel	Ladevorgang läuft/Leistung ist niedriger als 20 %
Gelbe Leuchte blinkt	Ladevorgang läuft
Rote Leuchte blinkt	Fehlerzustand
 Ein/Aus-Schalter	3 Sekunden lang gedrückt halten, ein- oder ausschalten. Kurz drücken, starten oder unterbrechen.
 Aufladetaste	Im Betriebszustand kurz drücken, der Saugroboter unterbricht die Reinigung. Im Pausenzustand kurz drücken, Ladevorgang beginnt. Im Ladezustand kurz drücken, Ladevorgang wird beendet.

DE

INSTALLATION


Um die Ladestation zu installieren, positionieren Sie sie an der Wand und schließen das Netzkabel an. Stellen Sie sicher, dass vor und an den Seiten der Ladestation ausreichend Platz vorhanden ist.

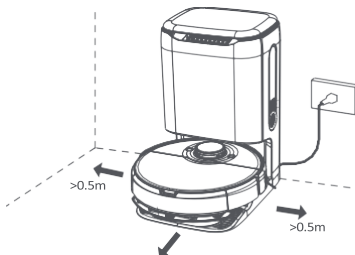
Montage des automatischen Staubbehälters. Positionieren Sie den Staubbehälter an die Wand und schließen Sie das Netzkabel an.

Hinweis:

- Setzen Sie den Staubbehälter nicht direkter Sonneneinstrahlung aus.
- Der automatische Staubbehälter benötigt vorne mindestens 1,50 Meter und auf beiden Seiten mindestens 0,50 Meter Platz.
- Stellen Sie sicher, dass das Netzkabel nicht an Stellen platziert wird, wo es vom Saugroboter gezogen werden kann.

EINSCHALTEN UND AUFLADEN

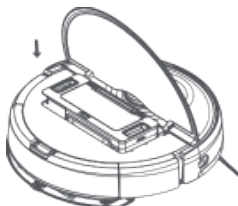
Setzen Sie den Saugroboter auf die Basisstation und richten Sie die Ladeelektroden auf den Ladekontakt aus. Für den täglichen Gebrauch können Sie das intelligente Aufladen durch kurzes Drücken der Taste  starten



- Der Saugroboter kann nicht starten, wenn die Leistung schwach ist. Bitte setzen Sie ihn zum Aufladen auf die Basisstation.
- Der Saugroboter startet automatisch, nachdem er an die Basisstation angeschlossen wurde, und kann während des Ladevorgangs nicht ausgeschaltet werden.

KEHRFUNKTION

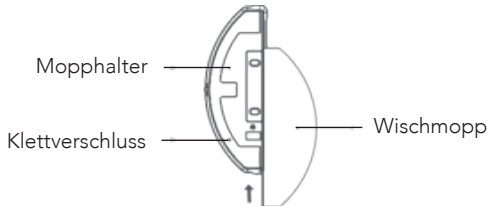
Öffnen Sie den Deckel, setzen Sie den Staubbehälter ein und drücken Sie ihn nach unten. Hinweis: Reinigen Sie den Staubbehälter regelmäßig, sobald der Schmutz die Reinigungswirkung beeinträchtigt.



DE

WISCHFUNKTION

1. Schieben Sie den Mopp in den Schlitz des Mopphalter und befestigen Sie ihn mit dem Klettverschluss.



2. Öffnen Sie den Deckel des Wasserbehälters, füllen Sie den Wasserbehälter auf und bringen Sie den Deckel des Wasserbehälters an.

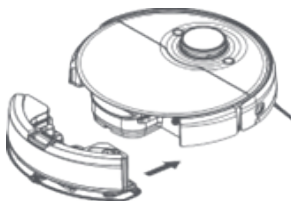


Hinweis:

- Verwenden Sie keine Reinigungsmittel, Desinfektionsmittel, Feststoffreiniger oder anderen Reinigungsmittel und geben Sie kein heißes Wasser in den Wasserbehälter, wenn der Wasserbehälter korrodiert oder beschädigt ist.
- Der Wasserbehälter darf nicht unter fließendes Wasser gehalten oder in Wasser eingetaucht werden. Die Metallstange des Wasserbehälters muss vor dem Wischen trocken sein.

DE

3. Schieben Sie den Wasserbehälter in die Unterseite des Saugroboters. Ein Klicken ist zu hören, wenn er einrastet.



Hinweis:

- Stellen Sie beim Wischen des Bodens bitte virtuelle Wände oder Sperrzonen im Teppichbereich auf.
- Achten Sie darauf, auf dem Boden angesammeltes Wasser zu beseitigen, bevor Sie mit einem Kehr-/Wischvorgang beginnen.

VERWENDUNG DER APP

REINIGUNGSMODUS/STUFENAUSWAHL

Sie können zwischen verschiedenen Reinigungsmodi und Wasserdurchflussraten wählen.

NICHT-STÖREN-MODUS

Wenn der Nicht-stören-Modus aktiviert ist, sind die Funktionen Fortfahren am Grenzbereich, geplante Reinigung und Sprachmeldungen am Saugroboter nicht verfügbar. Der Nicht-stören-Modus ist werkseitig in der Zeit von 22.00 bis 7.00 Uhr aktiviert. Der Nicht-stören-Modus kann in der App deaktiviert werden.

REINIGUNGSMODUS OHNE KARTE

Wenn keine Karte gespeichert ist, beginnt der Saugroboter mit der Reinigung von jeder Zone in einer quadratischen Fläche von sechs mal sechs Metern. Wenn eine Karte gespeichert ist, beginnt der Roboter automatisch mit der Reinigung von jedem Raum entlang der geplanten Route und kehrt nach Abschluss der Arbeit zur Basis zurück.

SPEICHERKARTE

Wenn die Speicherkarte in der App aktiviert ist, speichert und aktualisiert der Saugroboter die Karte, nachdem er die Reinigungsaufgabe abgeschlossen und den Ladevorgang erfolgreich abgeschlossen hat. Nachdem eine Karte erfolgreich abgeschlossen wurde, können Sie Zonen teilen oder zusammenführen oder einen beliebigen Raum in der App benennen.

KANTENREINIGUNGSMODUS

Wenn der Kantenreinigungsmodus in der App ausgewählt wird, erkennt der Saugroboter automatisch die Reichweite des zu reinigenden Bereichs, beginnt mit der Reinigung entlang der Kanten und kehrt nach Abschluss der Reinigung automatisch zur Basis zurück.

REINIGUNGSMODUS FÜR VORGEGEBENEN BEREICH

Wenn in der App ein zu reinigender Bereich angegeben ist, reinigt der Saugroboter den angegebenen Bereich. **Hinweis:** Während der Reinigung kann der Saugroboter über einen definierten Bereich hinausgehen. Entfernen Sie alle Hindernisse auf dem Boden innerhalb des definierten Bereichs, da die Definition eines Bereichs keine sichere Abtrennung gewährleistet.

FESTPUNKT-REINIGUNGSMODUS

Wenn Sie die Festpunktreinigung wählen und einen Zielpunkt in der App ausgewählt haben, leitet der Roboter die Reinigungsaufgabe weiter und beginnt mit der Reinigung auf einer rechteckigen Fläche von zwei mal zwei Meter, basierend auf der Zielposition, die in der Karte in der App definiert ist.

DE

GEPLANTER REINIGUNGSMODUS

Der Benutzer kann eine Reinigungsaufgabe in der App planen. Der Saugroboter startet die Reinigungsaufgabe wie geplant und kehrt am Ende der Aufgabe zur Basis zurück. **Hinweis:** Geplante Reinigungsaufgaben werden während der Zeit, in der der Nicht-stören-Modus aktiviert ist, nicht ausgeführt.

VIRTUELLE WAND/SPERRZONE

Der Benutzer kann in der App eine virtuelle Wand bzw. einen eingeschränkten Bereich definieren, den der Roboter nicht reinigen soll. **Hinweis:** Bevor Sie diese Funktion nutzen, müssen Sie eine Karte in der App speichern. Ein Bewegen des Saugroboters oder eine Veränderung der Inneneinrichtung kann dazu führen, dass die ursprüngliche Karte verloren geht und eine virtuelle Wand/ein eingeschränkter Bereich nicht verfügbar ist.

SYSTEM ZURÜCKSETZEN/WIEDERHERSTELLEN

- Wenn Sie die Reset-Taste 3 Sekunden lang gedrückt halten, werden nicht nur die Werkseinstellungen wiederhergestellt, sondern es wird auch die Firmware auf die letzte Version zurückgesetzt.
- Wenn Sie die Reset-Taste 10 Sekunden lang gedrückt halten, löscht das Gerät alle Netzwerkverbindungsdaten, Karteninformationen, Informationen über geplante Aufgaben und die Nicht-stören-Funktion sowie Anpassungsdaten und setzt die Saugleistung auf das voreingestellte Niveau zurück.

Hinweis: Nach dem Zurücksetzen/Wiederherstellen des Systems muss der Roboter erneut mit der APP verbunden werden. Die entsprechenden Einstellungen in der APP werden entfernt.

DE

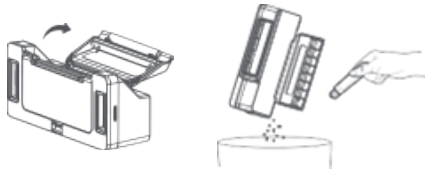
WARTUNG UND REINIGUNG

STAUBBEHÄLTER

1. Öffnen Sie den Deckel, drücken Sie auf die Staubbehälterverriegelung und nehmen Sie den Staubbehälter heraus.



2. Entsorgen Sie den Abfall aus dem Staubbehälter und reinigen Sie den Behälter mit einer Reinigungsbürste.



3. Nehmen Sie den Staubbehälterdeckel ab, nehmen Sie das Filtersieb heraus, entfernen Sie die Abfälle und reinigen Sie das Sieb.

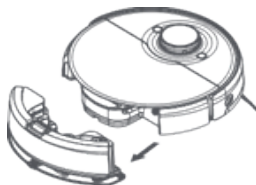


Hinweis:

- Es wird empfohlen, den Staubbehälter mindestens einmal pro Woche zu reinigen. Lassen Sie Staubbehälter und Filtersieb vor Gebrauch trocknen (mindestens 24 Stunden).
- Reinigen Sie den Staubbehälter nicht mit Wasser, da dies die elektrischen Komponenten beschädigen kann.

VIBRATIONSBEHÄLTER

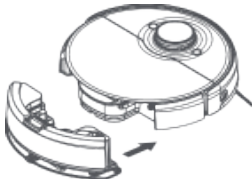
1. Drücken Sie die Behälterhalterung, wie in der Abbildung dargestellt, nach unten und ziehen Sie den Behälter waagrecht heraus.



1. Drehen Sie den Deckel des Kunststoffbehälters auf, lassen Sie restliches Wasser darin ab und bringen Sie den Deckel wieder an.

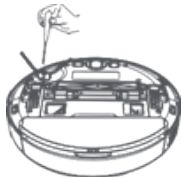


2. Bringen Sie den Behälter wieder an, wie in der Abbildung gezeigt.



SEITENBÜRSTE

1. Drehen Sie den Saugroboter auf den Kopf und lösen Sie die Befestigungsschrauben der Seitenbürste.
2. Nehmen Sie die Seitenbürste heraus und reinigen Sie sie.
3. Seitenbürste wieder einbauen und Schrauben festziehen.



DE

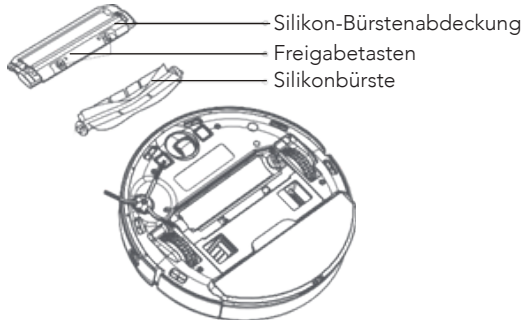
Hinweis: Es wird empfohlen, den Seitenbesen alle 3–6 Monate auszutauschen, um die Reinigungswirkung zu gewährleisten.

SILIKONBÜRSTE

1. Drehen Sie den Saugroboter auf den Kopf und halten Sie die beiden Entriegelungsknöpfe gedrückt, um die Silikonbürstenabdeckung zu entfernen.
2. Nehmen Sie die Hauptbürste nach oben heraus.
3. Schneiden Sie mit dem Messer der Reinigungsbürste verhedderte Haare auf der Silikonbürste ab und reinigen Sie die Hauptbürste.

4. Setzen Sie die Hauptbürste und die Silikonbürste und die Silikonbürstenabdeckung wieder ein und drücken Sie auf die Silikonbürstenabdeckung, damit sie fest sitzt.

Hinweis: Es wird empfohlen, die Silikonbürste alle 6–12 Monate auszutauschen, um die Reinigungswirkung zu gewährleisten.



BÜRSTENREINIGUNGSMETHODE

Verwenden Sie das mitgelieferte Reinigungswerkzeug.



Haarschneider



Schmutz beseitigen

CLIFF-SENSOR

Reinigen Sie den Cliff-Sensor alle 3 Monate mit einem weichen, trockenen Tuch.



Cliff-Sensor

OPTISCHER SENSOR

Der Roboter enthält einen präzisen optischen Sensor: den 3D ToF-Sensor. Reinigen Sie diese Sensoren sorgfältig mit einem weichen, staubfreien Tuch, um Schmutz oder Staub auf ihnen zu entfernen. Wenn sich viel Schmutz oder Staub auf ihnen ansammelt, kann die Leistung des Saugroboters bei der Hindernisvermeidung beeinträchtigt werden. **Hinweis:** Verwenden Sie zum Reinigen des Sensors keine Chemikalien wie Reinigungsmittel oder -sprays.



DE

FEHLERBEHEBUNG

Problem	Lösung
Einschalten nicht möglich	<ol style="list-style-type: none"> 1. Der Akku ist schwach 2. Die Umgebungstemperatur ist zu niedrig (unter 0 °C) oder zu hoch (über 35 °C)
Roboter beginnt nicht mit dem Kehren	Niedriger Akkustand. Akku voll aufladen
Saugroboter kann zum Laden nicht zurückfahren	<ol style="list-style-type: none"> 1. Zu viele Hindernisse um die Auto-Clean-Basis. Auto-Clean-Basis in einen unverstellten Bereich stellen. 2. Saugroboter ist zu weit von der Auto-Clean-Basis entfernt. Den Saugroboter in der Nähe der Auto-Clean-Basis platzieren und erneut versuchen.
Ungewöhnliche Saugroboteraktionen	Saugroboter ausschalten und neu starten
Ungewöhnliche Geräusche während der Reinigung	Maschine ausschalten und auf Fremdkörper an der Hauptbürste, Seitenbürste, Rad links/rechts prüfen und diese ggf. entfernen.
Verschlechterte Reinigungsleistung oder Staubentwicklung	<ol style="list-style-type: none"> 1. Staubbehälter ist voll. Staubbehälter entleeren. 2. Filtersieb ist verstopft. Sieb reinigen. 3. Hauptbürste ist durch Fremdkörper blockiert. Hauptbürste reinigen.
Saugroboter ist offline	<ol style="list-style-type: none"> 1. Schwache WLAN-Signale. Sicherstellen, dass Saugroboter korrekt von WLAN-Signalen abgedeckt ist. 2. WLAN-Verbindung fehlgeschlagen. WLAN-Verbindung zurücksetzen, aktuelle App herunterladen und erneut versuchen.
Saugroboter fährt am Grenzbereich nicht fort	<ol style="list-style-type: none"> 1. Prüfen, dass der Nicht-stören-Modus nicht aktiviert ist. Dadurch wäre das Fortfahren am Grenzbereich deaktiviert. 2. Fortfahren am Grenzbereich ist nicht möglich, wenn der Ladevorgang manuell über die App oder durch kurzes Drücken der Taste „Aufladen“ gestartet wird oder das Gerät zur Auto-Clean-Basis bewegt wurde.

DE

Laden nicht möglich	Sicherstellen, dass um die Auto-Clean-Basis herum genügend Platz vorhanden ist und sich kein Staub oder Schmutz auf der Oberfläche der Elektrode der Auto-Clean-Basis befindet
Geplante Reinigung fehlgeschlagen	<ol style="list-style-type: none"> 1. Prüfen, dass das Gerät mit dem Netzwerk verbunden ist, da bei einer Trennung vom Netzwerk die Synchronisierung und die geplante Reinigungsaufgabe fehlschlägt. 2. Prüfen, dass der Nicht-stören-Modus nicht aktiviert ist, wodurch die geplante Reinigung deaktiviert wäre.
Saugroboter ist immer offline	Prüfen, dass die Konfiguration des Roboternetzwerks erfolgreich ist und dass sich der Saugroboter immer in Reichweite des WLAN-Signals befindet.
Saugroboter verbindet sich nicht mit der App	Prüfen, dass sich der Saugroboter und die Auto-Clean-Basis in einem Bereich mit gutem WLAN-Signal befinden; WLAN gemäß den in der Bedienungsanleitung beschriebenen Schritten zurücksetzen und dann Gerät erneut koppeln.

FEHLERMELDUNGEN

Problem	Lösung
Saugroboter auf einen waagrechten Boden stellen und starten.	Es wird erkannt, dass der Saugroboter schräg bleibt. Saugroboter auf einen waagrechten Boden stellen und starten; oder Nivellierung in der App durchführen und Saugroboter neustarten.
Den Saugroboter zum Starten auf den Boden stellen	Das Rad ist aufgehängt. Zum Starten zur neuen Position bewegen.
Bei einer weiträumigen Umstellung die Reinigungsaufgabe neustarten	Wenn der Saugroboter manuell bewegt wird, schlägt das Routing fehl. Reinigungsaufgabe neustarten
Das Laserradar ist verheddert oder klemmt. Bitte reinigen.	Das Radar hat sich in Fasern verfangen. Alle Fasern beseitigen.

DE

Vor dem Start prüfen, dass der Laserentfernungssensor nicht blockiert ist.	Laserentfernungssensor ist blockiert oder durch Fremdkörper blockiert. Verstopfung oder Fremdkörper beseitigen. Wenn ein Entfernen nicht möglich ist, den Saugroboter versetzen und dann starten.
Prüfen, dass der optische Erkennungssensor nicht blockiert ist.	Optischer Erkennungssensor ist blockiert oder durch Fremdkörper blockiert. Verstopfung oder Fremdkörper beseitigen. Wenn ein Entfernen nicht möglich ist, den Saugroboter versetzen und dann starten.
Kontrollieren, dass der optische Erkennungssensor nicht blockiert ist.	Der optische Erkennungssensor ist durch Fremdkörper blockiert. Fremdkörper entfernen. Wenn das nicht möglich ist, das Gerät an einen neuen Ort stellen, um zu starten.
Cliff-Sensor reinigen und das Gerät in eine neue Position stellen, um zu starten.	Der Saugroboter ist nicht auf dem Boden. Saugroboter umstellen und neustarten. Cliff-Sensor ist verschmutzt. Cliff-Sensor reinigen
Kollisionssensor prüfen und Fremdkörper entfernen.	Kollisionssensor ist blockiert. Fremdkörper durch Antippen des Sensors entfernen. Wenn keine Fremdkörper vorhanden sind, den Saugroboter versetzen und neu starten.
Kanten-IR-Sensor reinigen.	Kanten-IR-Sensor kann von Fremdkörpern verunreinigt sein. Bitte reinigen.
Der TOF-Sensor ist gestört. Sensor prüfen und reinigen.	Frontsensor kann von Fremdkörpern verunreinigt sein. Bitte reinigen.
Oberflächen des vorderen Teils des Saugroboters und des Bodensensors reinigen, um Staub zu entfernen.	Frontsensor, Kanten-IR-Sensor oder Cliff-Sensor ist verstaubt. Bitte reinigen.
Cliff-Sensor ist gestört. Bitte reinigen und an eine neue Startposition verschieben.	Der Cliff-Sensor kann durch Fremdkörper oder Schmutz verunreinigt sein. Bitte reinigen und Saugroboter in eine neue Position versetzen, um ihn zu starten.
Laserradar ist blockiert. Laserradar prüfen	Der Radar auf dem oberen Turm ist blockiert und das Routing schlägt fehl. Verstopfung beseitigen.
Der Staubbehälter wurde längere Zeit nicht geleert. Bitte sofort reinigen.	Staubbehälter ist voll. Entleeren.

DE

<p>Virtuelle Wand oder Sperrzone wurde erkannt. Den Saugroboter aus diesem Bereich heraus bewegen.</p>	<p>Der Saugroboter befindet sich an einer virtuellen Wand oder in einer Sperrzone. Aus dem Bereich entfernen.</p>
--	---

<p>Gerät ist eingeklemmt. Alle Hindernisse um das Gerät herum entfernen und erneut versuchen. Das Gerät wieder auf die Basis stellen.</p>	<p>Der Saugroboter wird von einem Hindernis eingeklemmt. Hindernis entfernen. Der Saugroboter findet die Basis nicht. Saugroboter manuell wieder auf die Basis stellen.</p>
---	---

<p>Eine neue Umgebung wird erkannt. Reinigungsaufgabe neu starten.</p>	<p>Der Saugroboter befindet sich in einer neuen Umgebung und es wurde noch keine Karte erstellt. Saugvorgang erneut starten.</p>
--	--

DE



GARANTIE

Wilfa gewährt auf dieses Produkt eine fünfjährige Garantie ab dem Tag des Kaufs. Die Garantie deckt Produktionsausfälle oder Defekte ab, die während der Garantiezeit auftreten. Ihr Kaufbeleg dient als Nachweis gegenüber dem Händler, wenn Sie Ihre Garantie in Anspruch nehmen.

Die Garantie gilt nur für Produkte, die für Privathaushalte gekauft und dort verwendet werden. Die Garantie gilt nicht, wenn das Produkt gewerblich verwendet wird. Die Garantie gilt nicht bei unsachgemäßer oder fahrlässiger Verwendung, Nichtbefolgung der Anleitungen von Wilfa oder falls das Gerät modifiziert oder eine nicht-autorisierte Reparatur daran vorgenommen wurde. Die Garantie gilt auch nicht für normalen Verschleiß und Abnutzung des Produkts, fehlerhafte Verwendung, mangelhafte Pflege, Verwendung einer falschen elektrischen Spannung oder:

DE

- Überlastung des Produkts
- Teile, die normal abgenutzt sind
- Teile, bei denen ein regelmäßiger Austausch zu erwarten ist (z. B. Filter, Akku usw.)

Die Bedienungsanleitung finden Sie auch auf unserer Website wilfa.com

TECHNISCHE DATEN

Größe	350 x 97 mm
Nennleistung	55 W
Nennspannung	14,8 V
Ladespannung	20 V
Akkukapazität:	
SL, AI, SL +	6.400 mAh

SUPPORT UND ERSATZTEILE

Support erhalten Sie auf **wilfa.com** und auf unserer Kundenservice-/Supportseite. Dort finden Sie Antworten auf häufig gestellte Fragen, Ersatzteile, Tipps und Tricks sowie alle unsere Kontaktdaten.

RECYCLINGFÄHIGKEIT



Diese Kennzeichnung weist darauf hin, dass das Produkt in der EU nicht über den Hausmüll entsorgt werden darf. Um mögliche Schäden für die Umwelt oder die menschliche Gesundheit durch unkontrollierte Abfallentsorgung zu vermeiden, recyceln Sie das Gerät verantwortungsvoll. Sie fördern so die nachhaltige Wiederverwendung von Materialressourcen. Um Ihr Altgerät zurückzugeben, nutzen Sie bitte eines der Rückgabe- und Sammelsysteme oder wenden Sie sich an den Händler, bei dem das Produkt gekauft wurde. Dort kann das Produkt kostenlos für ein umweltfreundliches Recycling zurückgenommen werden.

DE

NL

INHOUD

150	BELANGRIJKE VEILIGHEIDSINSTRUCTIES
152	ACCU EN OPLADEN
153	INSTRUCTIES VOOR MILIEUBESCHERMING
154	SYSTEEMDISCLAIMER
155	PRODUCTOVERZICHT – ALGEMEEN
156	PRODUCTOVERZICHT – STOFZUIGER
157	PRODUCTOVERZICHT – GEDETAILLEERD
158	PRODUCTOVERZICHT – LAMPEN EN KNOPPEN
159	INSTALLATIE
161	GEBRUIK VAN DE APP
162	ONDERHOUD EN REINIGING
165	PROBLEEMOPLOSSING
167	FOUTMELDINGEN
170	GARANTIE
171	PRODUCTSPECIFICATIES
171	ONDERSTEUNING EN RESERVEONDERDELEN
171	RECYCLING

NL

BELANGRIJKE VEILIGHEIDSINSTRUCTIES

- Dit apparaat kan door kinderen vanaf acht jaar gebruikt worden en door personen met een fysieke, zintuiglijke of verstandelijke beperking of door mensen die een gebrek aan ervaring of kennis hebben, mits zij het apparaat onder toezicht gebruiken of instructies gekregen hebben over de veilige manier waarop het apparaat gebruikt moet worden en de hieraan gerelateerde gevaren begrepen hebben. Kinderen mogen het apparaat niet als speelgoed gebruiken. Reiniging en onderhoud mogen niet uitgevoerd worden door kinderen die niet onder toezicht staan.
- Dit product wordt alleen gebruikt voor vloerreiniging in een woonomgeving en mag niet gebruikt worden in een buitenomgeving, voor iets anders dan vloeren, in een commerciële of industriële omgeving.
- Laat kinderen niet met de machine spelen. Houd kinderen en huisdieren onder toezicht om ze zo ver mogelijk uit de buurt te houden wanneer de machine werkt.
- Als het netsnoer beschadigd is, moet het vervangen worden door een speciaal snoer of een speciaal onderdeel dat aangeschaft is bij de fabrikant of de onderhoudsafdeling.

NL

- Laat kinderen en huisdieren nooit op de machine zitten.
- Hanteer deze robot niet door de beschermkap van de laserradar als handvat te gebruiken.
- Gebruik het apparaat niet in hangende omgevingen zonder beschermende hekken (zoals duplexvloeren, open balkons en meubelbladen).
- Gebruik het apparaat niet in een omgeving waar de temperatuur hoger is dan 35 °C, lager dan 0 °C, of waar zich vloeistoffen en kleverige voorwerpen op de vloer bevinden.
- Gebruik het apparaat niet om brandende voorwerpen te reinigen.
- Schik en vouw vóór gebruik de kabels op de vloer als ze een obstakel vormen dat de machinebeweging kan blokkeren.
- Verwijder breekbare voorwerpen en andere materialen (zoals vazen en plastic tassen enz.) op de vloer, om schade aan kostbaarheden thuis te voorkomen wanneer de machine tijdens de werking blokkeert of botst.
- Gebruik de dweilmodus niet op het tapijt. Plaats bij het dweilen van de vloer virtuele muren of verboden zones in de tapijtzone.

- Laat de machine geen harde of scherpe voorwerpen opnemen (zoals decoratieafval, glas, spijkers enz.).
- Reinig en onderhoud het apparaat en het basisstation in uitgeschakelde toestand.
- Draai de machine niet te lang ondersteboven op de vloer.
- Als de machine vervoerd moet worden, zorg er dan voor dat ze uitgeschakeld is en gebruik de originele verpakkingsdoos ter bescherming.

ACCU EN OPLADEN

- Gebruik geen accu's, netsnoeren of basisstations van derden.
- Demonteer, repareer of wijzig de accu of het basisstation niet zonder toestemming.
- Plaats het basisstation niet in de buurt van een warmtebron (zoals een radiator enz.).
- Voordat u de machine afdankt, moet u de stroomtoevoer loskoppelen en de accu uit de machine verwijderen.
- Als de machine langere tijd niet gebruikt wordt, schakel ze dan uit nadat ze volledig opgeladen is en zet ze op een koele en droge plaats.
- We raden aan om de machine minstens één keer per maand op te laden.

NL

INSTRUCTIES VOOR MILIEUBESCHERMING

De volgende informatie is alleen van toepassing bij het weggooien van deze robot en is geen dagelijkse

bedieningsinstructie:

Chemische stoffen in de ingebouwde lithiumionaccu van dit product zullen het milieu vervuilen. Verwijder de accu voordat u de machine weggooit en lever deze in bij een professioneel recyclingstation voor gecentraliseerde afvalverwijdering.


Stappen om de accu te demonteren:

1. Laat de robot draaien tot hij bijna leeg is en niet kan reinigen zonder het basisstation aan te raken.
2. Schakel de robot uit.
3. Demonteer de onderplaat van de robot.
4. Druk op de vergrendeling en trek de stekker van de accu uit, neem vervolgens de accu eruit.
5. Verwijder de beschermkap van de accu en neem de accu eruit.

OPMERKING:

- Zorg er bij het demonteren van de accu voor dat de accu leeg is en werk niet in de buurt van het basisstation.
- Haal de hele accu volledig uit de machine en beschadig de behuizing van de accu niet om kortsluiting of lekkage van gevaarlijke stoffen te voorkomen.
- Als u accuvloeistof aanraakt, spoel de huid dan met veel water en roep onmiddellijk medische hulp in.

NL

- Dit apparaat bevat batterijen die alleen kunnen worden vervangen door geschoolde personen.
- **WAARSCHUWING!** Voor het opladen van de batterij mag alleen een verwijderbare eenheid worden gebruikt die met dit apparaat wordt geleverd.
- Voor het opladen van de batterij mag alleen een verwijderbare eenheid D4000 worden gebruikt die met dit apparaat, of RVCD-D17 wordt geleverd.
- Verwijderbare eenheid 

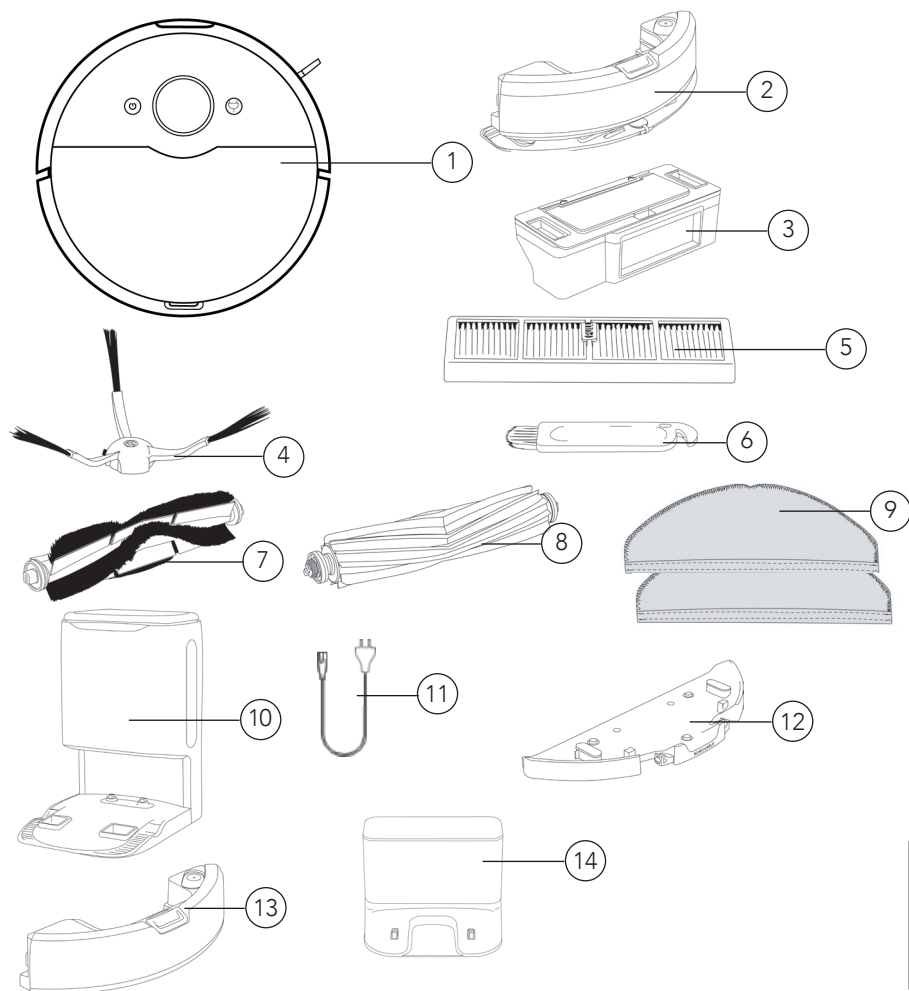
SYSTEEMDISCLAIMER

De lijst met smartphonetypes op de markt is lang en neemt toe. De systeemprestaties kunnen variëren voor verschillende combinaties van het besturingssysteem en hoe het in het telefoonmodel geïmplementeerd wordt. Ook veranderingen in de sector kunnen een impact hebben. Hoewel we in de meeste gevallen goede prestaties verwachten, is de verwachte prestatie van de app dus niet gegarandeerd. Hoewel de app waarschijnlijk lange tijd zal werken met oudere hardware- en softwareversies, moet u het besturingssysteem van uw telefoon up-to-date houden om er zeker van te zijn dat de app volledig functioneel is.

Minimumeis in januari 2023:

- iOS 14.00
- Android 10.0

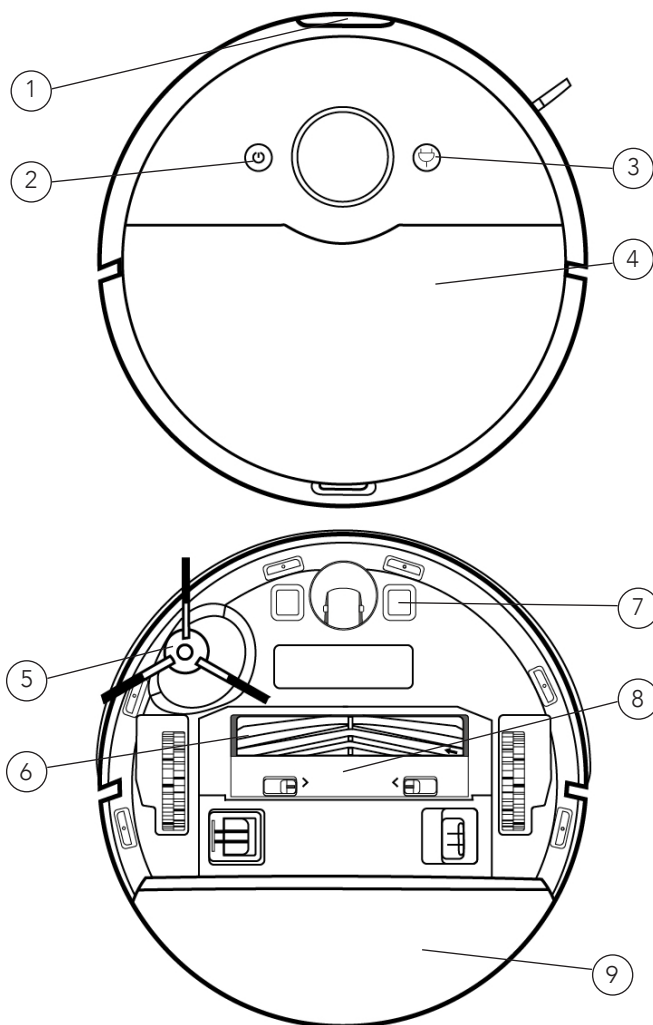
PRODUCTOVERZICHT – ALGEMEEN



- | | | | |
|----|--------------------------|-----|---|
| 1. | Robotstofzuiger | 9. | Zwabber |
| 2. | Toebehoren: | 10. | Stofbakstation (inbegrepen in RVC-D4000SL+) (afzonderlijk verkrijgbaar) |
| 3. | Vibrerend waterreservoir | 11. | Voedingskabel |
| 4. | Stofopvangbak | 12. | Uitneembare dweilplaat |
| 5. | Zijborstel | 13. | Waterreservoir. |
| 6. | Filterscherm | 14. | Laadstation D4000 |
| 7. | Reinigingsgereedschap | | |
| 8. | All-roundborstel | | |
| | Siliconenborstel | | |

NL

PRODUCTOVERZICHT – STOFZUIGER



NL

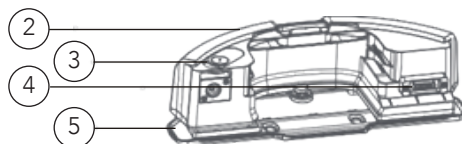
- | | | | |
|----|-------------|----|--------------------|
| 1. | Sensor | 6. | Borstel |
| 2. | Aan-uitknop | 7. | Laadelektroden |
| 3. | Homeknop | 8. | Borstelbeschermkap |
| 4. | Afdekking | 9. | Zwabberhouder |
| 5. | Zijborstel | | |

PRODUCTOVERZICHT – GEDETAILLEERD

ROBOT

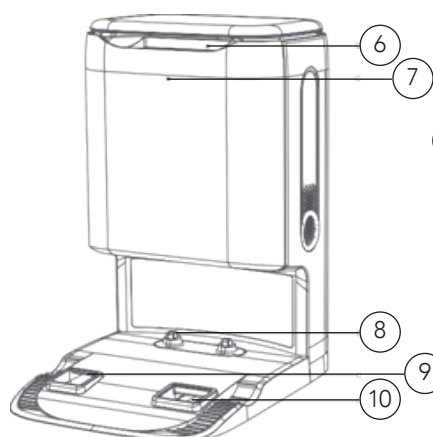


VIBREEREND WATERRESERVOIR

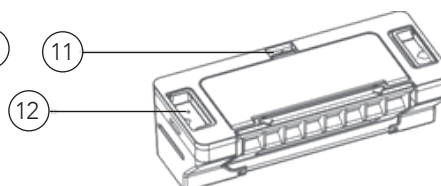


STOFBAKSTATION

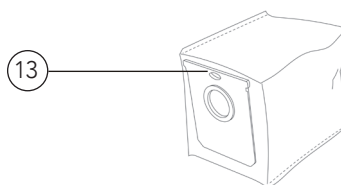
(Inbegrepen in RVC-D4000SL+ of apart kopen)



STOFOPVANGBAK





STOFZAK



- | | | | |
|----|------------------------------|-----|---------------|
| 1. | Reset | 8. | Laadelektrode |
| 2. | Bevestiging | 9. | Luchtuitlaat |
| 3. | Waterinlaat | 10. | Stofinlaat |
| 4. | Metalen stang waterreservoir | 11. | Bevestiging |
| 5. | Zwabber | 12. | Slot |
| 6. | Filterscherm | 13. | Stofzak |
| 7. | Indicatielampje | | |

NL

PRODUCTOVERZICHT – LAMPEN EN KNOPPEN

Blauwe lampje brandt permanent	Stand-by / Normale werking / Aangesloten op wifi
Blauwe lampje licht op	Opladen / Stroom is hoger dan 20%
Blauwe lampje knippert	Firmware-upgrade wordt uitgevoerd / Fabrieksinstellingen herstellen / Verbonden met het netwerk
Geel lampje brandt permanent	Wifi is offline
Geel lampje licht op	Opladen / Stroom is lager dan 20%
Geel lampje knippert	Opladen
Rood lampje knippert	Abnormale toestand
 Aan-uitknop	Lang indrukken gedurende drie seconden, in- of uitschakelen. Kort indrukken, starten of pauzeren.
 Oplaadknop	In de bedrijfsmodus kort indrukken om de reiniging te pauzeren. Druk in de pauzestand kort op de knop om het laden te starten. Druk in de laadtoestand kort op de knop om het laden te stoppen.

NL

INSTALLATIE

Om het laadstation te installeren, plaatst u het tegen de muur en sluit u het netsnoer aan. Zorg ervoor dat er voldoende ruimte is aan de voor- en zijkant van het laadstation.

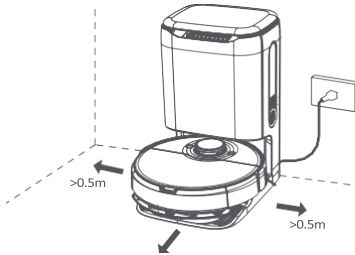
De automatische vuilnisbak installeren Plaats de vuilnisbak tegen de muur en sluit het netsnoer aan.

Opmerking:

- Plaats de vuilnisbak niet in direct zonlicht.
- De automatische vuilnisbak heeft meer dan 1,5 meter ruimte aan de voorkant en meer dan 0,5 meter ruimte aan beide zijkanten nodig.
- Zorg ervoor dat het netsnoer niet op een plaats zit waar de robot het kan verslepen.

INSCHAKELEN EN OPLADEN

Plaats de robot op het basisstation en lijk de laadelektroden uit met het laadcontact. Voor dagelijks gebruik kunt u het slim opladen starten door kort op de knop  te drukken.

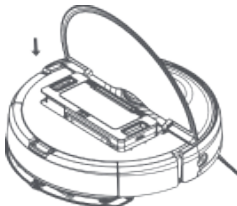


- De robot start niet op bij een laag vermogen. Plaats hem op het basisstation om hem op te laden.
- De robot start automatisch op na aansluiting op het basisstation en kan niet uitgeschakeld worden tijdens het opladen.

VEEGMODUS

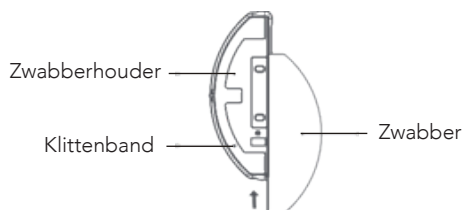
Open het deksel, plaats het stofopvangbak en druk het naar beneden.

Opmerking: Reinig de stofopvangbak regelmatig als het vuil de reinigende werking beïnvloedt.



DWEILMODUS

1. Plaats de zwabber langs de sleuf van de zwabberhouder en plak deze op de klittenband.



2. Open het deksel van het waterreservoir, vul het waterreservoir en sluit het deksel van het waterreservoir.

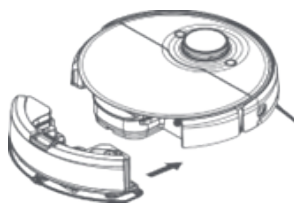


Opmerking:

- Gebruik geen detergents, ontsmettingsmiddelen, vaste of andere reinigingsmiddelen, en injecteer geen heet water in het waterreservoir om roestvorming en schade aan het waterreservoir te voorkomen.
- Het is verboden het waterreservoir onder stromend water te spoelen of in water onder te dompelen. De metalen stang van het waterreservoir moet droog zijn voordat u begint met dweilen.

3. Duw het waterreservoir in de bodem van de robot. U hoort een klikgeluid wanneer het correct geïnstalleerd is.

NL



Opmerking:

- Plaats bij het dweilen van de vloer virtuele muren of verboden zones in de tapijtzone.
- Voordat u de veeg-/dweilfunctie start, moet u al het water dat zich op de vloer opgehoopt heeft verwijderen.

GEBRUIK VAN DE APP

REINIGINGSMODUS/NIVEAUSELECTIE

U kunt kiezen uit verschillende reinigingsmodi en watervolumestromen.

MODUS 'NIET STOREN'

Wanneer de modus 'Niet storen' geactiveerd is, zijn doorgaan op het uitschakelpunt, geplande reiniging en actieve spraakrapportage niet beschikbaar in de robot. De modus 'Niet storen' is standaard geactiveerd van 22.00 tot 7.00 uur. De modus 'Niet storen' kunt u in de app deactiveren.

REINIGINGSMODUS ZONDER KAART

Wanneer er geen kaart opgeslagen is, zal de robot elke zone beginnen te reinigen met een vierkant gebied van 6 m × 6 m. Wanneer er een kaart opgeslagen is, begint de robot elke ruimte langs de geplande route automatisch schoon te maken en keert hij na voltooiing terug naar het basisstation.

GEHEUGENKAART

Wanneer de geheugenkaart in de app geactiveerd is, slaat de robot de kaart op en werkt hij deze bij nadat de reinigingstaak en het laden voltooid zijn. Nadat een kaart met succes voltooid is, kunt u zones splitsen of samenvoegen of een willekeurige ruimte in de app een naam geven.

RANDREINIGINGSMODUS

Wanneer u de randreinigingsmodus in de app kiest, herkent de robot automatisch het te reinigen gebied en begint hij met schoonmaken langs de randen, en keert hij na het reinigen automatisch terug naar het basisstation.

GESPECIFICEERDE GEBIEDSREINIGINGSMODUS

Wanneer een te reinigen gebied gespecificeerd is in de app, zal de robot het gespecificeerde gebied reinigen. **Opmerking:** Tijdens het reinigen kan de robot voorbij een gedefinieerd gebied gaan. Verwijder daarom obstakels op de vloer binnen het gedefinieerde gebied, aangezien de definitie van een gebied geen veilige scheiding garandeert.

REINIGINGSMODUS MET VAST PUNT

Bij het kiezen van reiniging met vast punt en het selecteren van een richtpunt in de app, zal de robot reinigingstaken uitvoeren en beginnen met schoonmaken binnen een rechthoekig gebied van 2 m × 2 m op basis van de richtpuntpositie die gedefinieerd is in de kaart in de app.

GEPLANDE REINIGINGSMODUS

De gebruiker kan een reinigingstaak plannen in de app. De robot start de reinigingstaak zoals gepland en keert aan het einde van de taak terug naar het basisstation. **Opmerking:** Geplande reinigingstaken worden niet uitgevoerd gedurende de tijd dat de modus 'Niet storen' geactiveerd is.

VIRTUELE WAND/VERBODEN GEBIED

De gebruiker kan in de app een virtuele wand/beperkt gebied definiëren die de robot niet hoeft te reinigen. **Opmerking:** Voordat u deze functie kunt gebruiken, moet u een kaart in de app opslaan. Het verplaatsen van de robot of het wijzigen van de binnenomgeving kan ertoe leiden dat de originele kaart verloren gaat en dat virtuele muren/beperkte gebieden niet beschikbaar zijn.

SYSTEEM RESETTEN/HERSTELLEN

- Als u de knop Reset drie seconden lang ingedrukt houdt, worden niet alleen de fabrieksinstellingen hersteld, maar wordt ook de firmware teruggezet naar de laatste versie.
- Door de knop Reset tien seconden lang ingedrukt te houden, wist de machine alle netwerkverbindinginformatie, kaartinformatie, geplande taakinformatie, informatie over niet storen en aanpassingsinformatie, en wordt de zuigkracht teruggezet naar het standaardniveau.

Opmerking: Na het resetten/herstellen van het systeem moet de robot weer een verbinding maken met de app en worden de betreffende instellingen in de app verwijderd.

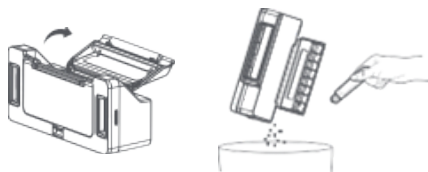
ONDERHOUD EN REINIGING

STOFOPVANGBAK

1. Open de beschermkap, druk op de vergrendeling van de stofopvangbak en haal de stofopvangbak eruit.



2. Gooi het afval in de stofopvangbak weg en reinig de bak met een reinigingsborstel.



3. Verwijder de beschermkap van de stofopvangbak, haal het filterscherm eruit, verwijder het afval en reinig het scherm.

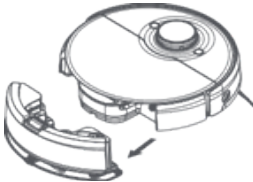


Opmerking:

- Het wordt aanbevolen om de stofopvangbak minstens één keer per week te reinigen. Droog de stofopvangbak en het filterscherm voor gebruik (ten minste 24 uur).
- Reinig de stofopvangbak niet met water, dit kan de elektrische componenten beschadigen.

VIBREREND RESERVOIR

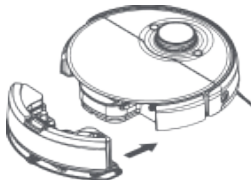
1. Zoals in de afbeelding te zien is, drukt u de vergrendeling van het reservoir naar beneden en trekt u het reservoir horizontaal naar buiten.



2. Draai het kunststof deksel van het reservoir open, verwijder eventueel achtergebleven water en plaats het deksel terug.

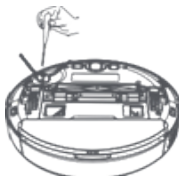


3. Bevestig het reservoir zoals in de afbeelding te zien is.



ZIJBORSTEL

1. Draai de robot om en verwijder de bevestigingsschroeven van de zijborstel.
2. Verwijder en reinig de zijborstel.
3. Plaats de zijborstel terug en draai de schroeven vast.

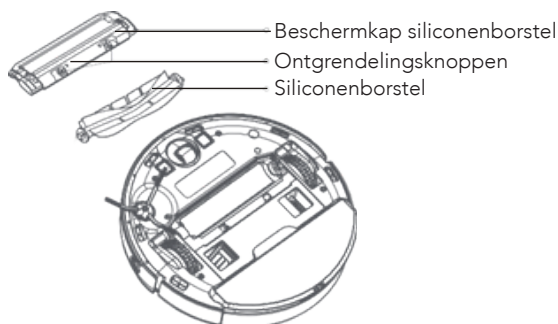


Opmerking: We raden aan om de zijborstel om de drie tot zes maanden te vervangen om het reinigingseffect te garanderen.

SILICONENBORSTEL

1. Draai de robot om en houd de twee ontgrendelknoppen ingedrukt om de beschermkap van de siliconenborstel te verwijderen.
2. Verwijder de hoofdborstel naar boven toe.
3. Gebruik het mes op de reinigingsborstel om het verstrikte haar op de siliconenborstel door te knippen en reinig de hoofdborstel.
4. Plaats de hoofdborstel, de siliconenborstel en de beschermkap terug en druk op de beschermkap om deze op zijn plaats te bevestigen.

Opmerking: We raden aan om de siliconenborstel om de zes tot twaalf maanden te vervangen om het reinigingseffect te garanderen.



BORSTELREINIGINGSMETHODE

Gebruik het meegeleverde reinigingsgereedschap.

NL



Haar doorknippen



Vuil verwijderen

ANTIVALSENSOR

Reinig de antivalsensor om de drie maanden met een zachte, droge doek.



Antivalsensor

OPTISCHE SENSOR

De robot bevat optische precisiesensoren: 3D ToF-sensoren. Reinig deze sensoren met een zachte en stofvrije doek om vuil of stof op de sensoren te verwijderen. Als deze zich sterk ophopen, kan dit de prestaties van de robot om obstakels te vermijden nadelig beïnvloeden. **Opmerking:** Gebruik geen chemicaliën zoals detergent of spray om de sensoren te reinigen.



PROBLEEMOPLOSSING

Probleem	Oplossing
Onmogelijk om in te schakelen	<ol style="list-style-type: none"> 1. De accu is bijna leeg. 2. De omgevingstemperatuur is te laag (onder 0 °C) of te hoog (boven 35 °C).
De robot start niet met vegen	Accu bijna leeg. Laad de accu volledig op.
De robot kan niet terugkeren om te laden.	<ol style="list-style-type: none"> 1. Te veel hindernissen rond het basisstation. Zet het basisstation in een gebied zonder hindernissen. 2. De robot is te ver verwijderd van het basisstation. Plaats de robot in de buurt van het basisstation en probeer het opnieuw.
Abnormale robotacties	Schakel de robot uit en start hem opnieuw op.
Abnormaal geluid tijdens reiniging	Controleer en verwijder vuildeeltjes op de hoofdborstel, de zijborstel, het linker- en rechterwiel nadat de machine uitgeschakeld is.
Reinigingsprestaties verslechteren of stofdruppels	<ol style="list-style-type: none"> 1. De stofopvangbak is vol. Maak de stofopvangbak leeg. 2. Het filterscherm is geblokkeerd. Reinig het scherm. 3. De hoofdborstel wordt geblokkeerd door vreemde voorwerpen. Reinig de hoofdborstel.

NL

De robot is offline.	<ol style="list-style-type: none"> 1. Zwakke wifignalen. Zorg ervoor dat de robot de wifignalen kan opvangen. 2. Geen wifiverbinding. Reset de wifiverbinding, download de nieuwste app en probeer het opnieuw.
Robot gaat niet verder op het uitschakelpunt.	<ol style="list-style-type: none"> 1. Zorg ervoor dat de modus 'Niet storen' niet geactiveerd is, wat de verdere werking bij het uitschakelpunt zou verhinderen. 2. Het is niet mogelijk om verder te gaan op het uitschakelpunt wanneer u handmatig begint met opladen, door handelingen in de app uit te voeren of door kort op de oplaadknop te drukken, of wanneer het apparaat naar het basisstation verplaatst wordt.
Kan niet opladen	Zorg ervoor dat er voldoende ruimte is rond het basisstation en dat er zich geen stof of verstopping bevindt op het oppervlak van de elektrode van het basisstation.
Geplande reiniging niet uitgevoerd	<ol style="list-style-type: none"> 1. Zorg ervoor dat de apparatuur aangesloten is op het netwerk, omdat de synchronisatie en geplande reinigingstaak mislukken bij het loskoppelen van het netwerk. 2. Zorg ervoor dat de modus 'Niet storen' niet geactiveerd is, omdat dit de geplande reiniging zou deactiveren.
De robot is altijd offline.	Zorg ervoor dat de netwerkconfiguratie van de robot succesvol is en dat de robot zich altijd binnen het bereik van het wifisignaal bevindt.
De robot maakt geen verbinding met de app.	Zorg ervoor dat de robot en het basisstation zich op een plek met een goed wifisignaal bevinden. Reset wifi volgens de stappen beschreven in de gebruiksaanwijzing en koppel opnieuw.

NL

FOUTMELDINGEN

Probleem	Oplossing
Plaats de robot op een horizontale ondergrond en start de robot.	Er wordt gedetecteerd dat de robot schuin staat. Plaats de robot op een horizontale ondergrond en start hem, of stel hem waterpas in de app en start de robot opnieuw.
Zet de robot op de grond om te starten.	Het wiel blijft hangen. Ga naar de nieuwe positie om te starten.
Na een verplaatsing over lange afstand de reinigingstaak opnieuw starten	Het handmatig bewegen van de robot zal leiden tot het falen van de routing. Start de reinigingstaak opnieuw.
De laserradar is verstrikt of zit vast. Deblokkeer de radar.	De radar is verstrengeld door vezels. Verwijder alle vezels.
Zorg ervoor dat de laserafstandssensor niet geblokkeerd is voordat u begint.	De laserafstandssensor is geblokkeerd of zit vast door vreemde voorwerpen. Verwijder de verstopping of vreemde voorwerpen. Als verwijdering niet mogelijk is, verplaatst u de robot en start u deze vervolgens.
Zorg ervoor dat de sensor voor visuele herkenning niet geblokkeerd is.	De sensor voor visuele herkenning is geblokkeerd of zit vast door vreemde voorwerpen. Verwijder de verstopping of vreemde voorwerpen. Als verwijdering niet mogelijk is, verplaatst u de robot en start u deze vervolgens.
Bevestig dat de sensor voor visuele herkenning niet geblokkeerd is.	De sensor voor visuele herkenning is geblokkeerd of zit vast door vreemde voorwerpen. Verwijder de geblokkeerde of vreemde voorwerpen. Als het voorwerp niet verwijderd kan worden, verplaatst de host dan naar een nieuwe locatie om te starten.
Reinig de antivalsensor en verplaatst de robot naar een nieuwe positie om hem te starten.	De robot staat los van de grond. Verplaatst de robot en start hem opnieuw. De antivalsensor is vuil. Reinig de antivalsensor.

NL

Controleer de botsingssensor en verwijder eventuele verontreinigingen.	De botsingssensor is vastgelopen. Verwijder verontreinigingen door op de sensor te tikken. Als er geen vreemd materiaal aanwezig is, verplaatst u de robot en start u hem opnieuw.
Reinig de rand-IR-sensor.	De rand-IR-sensor is mogelijk verontreinigd. Reinig de sensor.
De TOF-sensor is defect. Controleer en reinig de sensor.	De frontsensor is mogelijk verontreinigd. Reinig de sensor.
Reinig de oppervlakken van het voorste deel van de robot en de onderste sensor om stof te verwijderen.	Frontsensor, rand-IR-sensor of antivalsensor is stoffig. Reinig de sensor.
De antivalsensor is defect. Reinig de antivalsensor en verplaats de robot naar een nieuwe positie om hem te starten.	De antivalsensor is mogelijk verontreinigd. Reinig de antivalsensor en verplaats de robot naar een nieuwe positie om hem te starten.
De laserradar is geblokkeerd. Controleer de laserradar.	De radar op de bovenste toren is geblokkeerd en de routing is mislukt. Verwijder de blokkering.
De stofopvangbak is lange tijd niet gereinigd. Maak de bak onmiddellijk schoon.	De stofopvangbak is vol. Ledig de stofopvangbak.
Virtuele wand of verboden gebied gedetecteerd. Verwijder de robot uit dit gebied.	De robot bevindt zich aan een virtuele muur of verboden gebied. Verwijder de robot uit dit gebied.
De robot zit vast. Verwijder ieder obstakel rond het apparaat en probeer het opnieuw. Plaats de robot terug op het basisstation.	De robot wordt ingeklemd door een obstakel eromheen. Verwijder eventuele obstakels. De robot kan het basisstation niet vinden. Plaats de robot manueel terug op het basisstation.
Er wordt een nieuwe omgeving gedetecteerd. Start de reinigingstaak opnieuw.	De robot bevindt zich in een nieuwe omgeving en er is nog geen kaart aangemaakt. Start de reinigingstaak opnieuw.

NL



GARANTIE

Wilfa geeft vijf jaar garantie op dit product vanaf de dag van aankoop. De garantie dekt productiefouten of defecten die zich voordoen tijdens de garantieperiode. Uw aankoopbon is het garantiebewijs voor de verkoper als u aanspraak maakt op de garantie.

De garantie is uitsluitend geldig voor producten die voor huishoudelijke toepassing gekocht en gebruikt werden. De garantie is niet geldig als het product voor commerciële doeleinden gebruikt wordt. De garantie is niet geldig als het product onjuist of nalatig gebruikt werd, als de Wilfa-instructies niet opgevolgd zijn, als het apparaat gewijzigd werd of als een onbevoegde reparatie uitgevoerd werd. De garantie is ook niet geldig voor normale slijtage van het product, verkeerd gebruik, gebrekkig onderhoud, gebruik van onjuiste elektrische spanning, of:

- Overbelasting van het product
- Onderdelen die normaal versleten zijn
- Onderdelen die regelmatig moeten worden vervangen (zoals filters, accu's enz.)

NL

De handleiding is ook beschikbaar op onze website; wilfa.com

PRODUCTSPECIFICATIES

Afmetingen	350 x 97 mm
Nominaal vermogen	55 W
Nominale spanning	14,8 V
Laadspanning	20 V
Accucapaciteit:	
SL, AI, SL+	6400 mAh

ONDERSTEUNING EN RESERVEONDERDELEN

Ga voor ondersteuning naar **wilfa.com** en raadpleeg onze klantenservice-/ondersteuningspagina. Hier vindt u veelgestelde vragen, reserveonderdelen, tips en trucs en al onze contactgegevens.

RECYCLING



Deze markering geeft aan dat u dit product in de gehele Europese Unie niet met ander huishoudelijk afval mag meegeven. Om mogelijke schade aan het milieu of de gezondheid van mensen als gevolg van ongecontroleerde afvalverwijdering te voorkomen, dient het product op een verantwoorde manier gerecycled te worden om duurzaam hergebruik van materialen te stimuleren. Gebruik de retour- en inzamelingssystemen om uw gebruikte apparaat in te leveren, of neem contact op met de winkel waar u het product hebt gekocht. De winkel kan dit product in ontvangst nemen om het op veilige en milieuverantwoorde wijze te recyclen.

NL

PL

SPIS TREŚCI

- 174 WAŻNE INSTRUKCJE DOTYCZĄCE
BEZPIECZEŃSTWA
- 176 AKUMULATOR I ŁADOWANIE
- 177 WSKAZÓWKI DOTYCZĄCE OCHRONY
ŚRODOWISKA
- 178 WYŁĄCZENIE ODPOWIEDZIALNOŚCI
- 179 PRZEGLĄD PRODUKTU — INFORMACJE OGÓLNE
- 180 PRZEGLĄD PRODUKTU — ODKURZACZ
- 181 PRZEGLĄD PRODUKTU — INFORMACJE
SZCZEGÓŁOWE
- 182 PRZEGLĄD PRODUKTU — KONTROLKI I
PRZYCISKI
- 183 INSTALACJA
- 185 OBSŁUGA APLIKACJI
- 186 KONSERWACJA I CZYSZCZENIE
- 189 ROZWIĄZYWANIE PROBLEMÓW
- 191 KOMUNIKATY O BŁĘDACH
- 194 GWARANCJA
- 195 DANE TECHNICZNE PRODUKTU
- 195 POMOC TECHNICZNA I CZĘŚCI ZAMIENNE
- 195 MOŻLIWOŚĆ RECYKLINGU

WAŻNE INSTRUKCJE DOTYCZĄCE BEZPIECZEŃSTWA

- To urządzenie może być używane przez dzieci od lat 8 i osoby z niepełnosprawnością fizyczną, sensoryczną i umysłową oraz brakiem doświadczenia i wiedzy, pod warunkiem zapewnienia nadzoru lub udzielenia instrukcji dotyczących korzystania z urządzenia w bezpieczny sposób oraz o ile taka osoba zdaje sobie sprawę z ewentualnych zagrożeń. Dzieci nie mogą używać urządzenia do zabawy. Czynności związane z czyszczeniem oraz konserwacją w zakresie użytkownika nie powinny być wykonywane przez dzieci, o ile nie zostanie zapewniony nadzór.
- Produkt ten jest przeznaczony wyłącznie do czyszczenia podłóg w domu i nie powinien być używany na zewnątrz, w obiektach komercyjnych lub przemysłowych ani na podłozach innych niż podłoga.
- Nie pozwalaj dzieciom bawić się urządzeniem. Należy nadzorować dzieci i zwierzęta domowe, aby nie zbliżały się do urządzenia podczas pracy.
- Jeśli przewód zasilający jest uszkodzony, należy go wymienić na specjalny przewód lub specjalny element, zakupiony u producenta lub w serwisie.
- Dzieci i zwierzęta domowe nie powinny wchodzić na urządzenie.

- Nie obsługiwać robota, używając osłony radaru laserowego jako uchwytu.
- Nie używać w środowisku wielokondygnacyjnym bez barier ochronnych (takich jak antresole, otwarte balkony i blaty mebli).
- Nie używać w temperaturach spoza zakresu 0°C–35°C ani w przypadku, gdy na podłożu znajdują się rozlane płyny lub lepkie przedmioty.
- Nie używać do czyszczenia palących się przedmiotów.
- Przed użyciem uporządkować przewody na podłodze, aby nie utrudniały ruchu urządzenia.
- Odsunąć delikatne i drobne przedmioty (np. wazony, plastikowe torby itp.), aby uniknąć szkód na skutek blokady lub kolizji.
- Nie stosować trybu mopa na wykładzinach. W przypadku ścierania mopem podłogi, w okolicach wykładziny podłogowej skonfigurować wirtualne bariery, czyli strefy zabronione.
- Nie dopuszczać do zbierania przez urządzenie twardych lub ostrych przedmiotów (takich jak resztki materiałów dekoracyjnych, szkło, gwoździe itp.).
- Przed czyszczeniem i konserwacją urządzenia oraz podstawy wyłączyć zasilanie.

- Nie zostawiać urządzenia odwróconego dołem do góry przez dłuższy czas.
- Jeśli urządzenie ma być transportowane, wyłączyć je i użyć oryginalnego opakowania.

AKUMULATOR I ŁADOWANIE

- Nie używać akumulatora, przewodu zasilającego ani podstawy innych firm.
- Nie wolno demontować, naprawiać ani modyfikować akumulatora lub podstawy bez zezwolenia.
- Nieumieszczać podstawy z funkcją automatycznego czyszczenia w pobliżu źródła ciepła (np. grzejnika itp.).
- Przed utylizacją urządzenia należy odłączyć zasilanie i wyjąć akumulator.
- Jeśli urządzenie nie będzie używane przez dłuższy czas, należy naładować całkowicie akumulator, wyłączyć urządzenie i umieścić w chłodnym i suchym miejscu.
- Zaleca się ładowanie co najmniej raz w miesiącu.

PL

WSKAZÓWKI DOTYCZĄCE OCHRONY ŚRODOWISKA

Poniższe informacje mają zastosowanie tylko w przypadku utylizacji robota i nie stanowią instrukcji

codziennego użytkowania:

Substancje chemiczne zawarte we wbudowanym akumulatorze litowo-jonowym urządzenia zanieczyszczają środowisko. Przed utylizacją urządzenia należy wyjąć akumulator i przekazać do specjalistycznego punktu recyklingu akumulatorów.


Demontaż akumulatora:

1. Pozostawić robota uruchomionego do momentu, aż akumulator rozładuje się i nie będzie można go wyczyścić bez dotykania podstawy automatycznego czyszczenia.
2. Wyłączyć robota.
3. Zdemontować dolną obudowę robota.
4. Nacisnąć klamrę i wyciągnąć wtyczkę akumulatora, a następnie wyjąć akumulator.
5. Zdjąć pokrywę akumulatora i wyjąć akumulator.

UWAGA:

- Podczas demontażu akumulatora upewnić się, że jest rozładowany i oddalić się od podstawy.
- Należy zdemontować cały pakiet akumulatora, nie uszkodzając jego obudowy, w przypadku zwarcia lub wycieku niebezpiecznych substancji.

PL

- W przypadku kontaktu skóry z elektrolitem spłukać go dużą ilością wody i natychmiast udać się do lekarza.
- To urządzenie posiada baterie, które mogą zostać wymienione wyłącznie przez wykwalifikowane osoby.
- **OSTRZEŻENIE!** By naładować baterie, używać tylko zdejmowanej jednostki zasilającej załączonej do tego urządzenia
- By naładować baterie, używać tylko zdejmowanej jednostki D4000 zasilającej załączonej do tego urządzenia lub RVCD-D17.
- Zdejmowanej jednostki 

WYŁĄCZENIE ODPOWIEDZIALNOŚCI

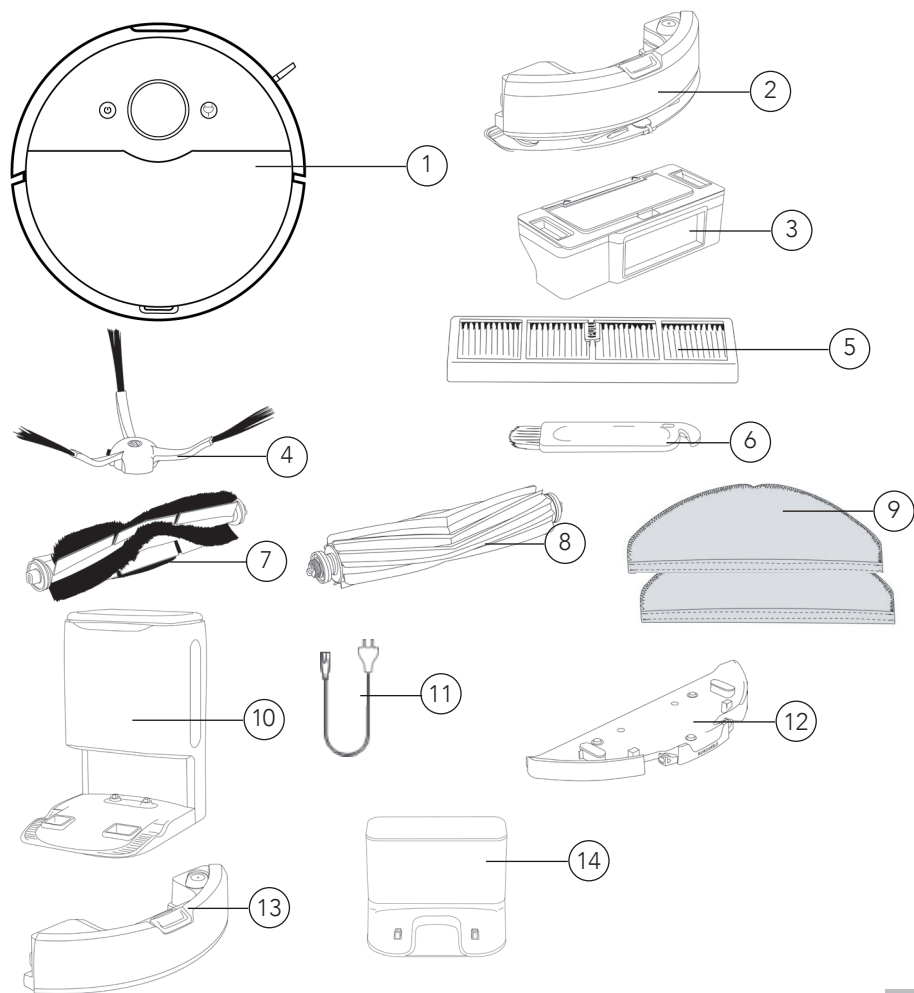
Na rynku jest dostępnych coraz więcej modeli smartfonów. Wydajność systemu może się różnić w zależności od kombinacji systemu operacyjnego i sposobu jego implementacji w danym modelu telefonu. Zmiany w branży również mogą mieć wpływ. Z tego powodu nie gwarantuje się oczekiwanego działania aplikacji, chociaż w większości przypadków powinna ona działać prawidłowo. Najprawdopodobniej aplikacja będzie działać przez długi czas ze starszym sprzętem i oprogramowaniem, jednak należy aktualizować system operacyjny swojego telefonu, aby mieć pewność, że aplikacja jest w pełni funkcjonalna.

PL

Minimalne wymaganie na styczeń 2023 r.:

- iOS 14.00
- Android 10.0

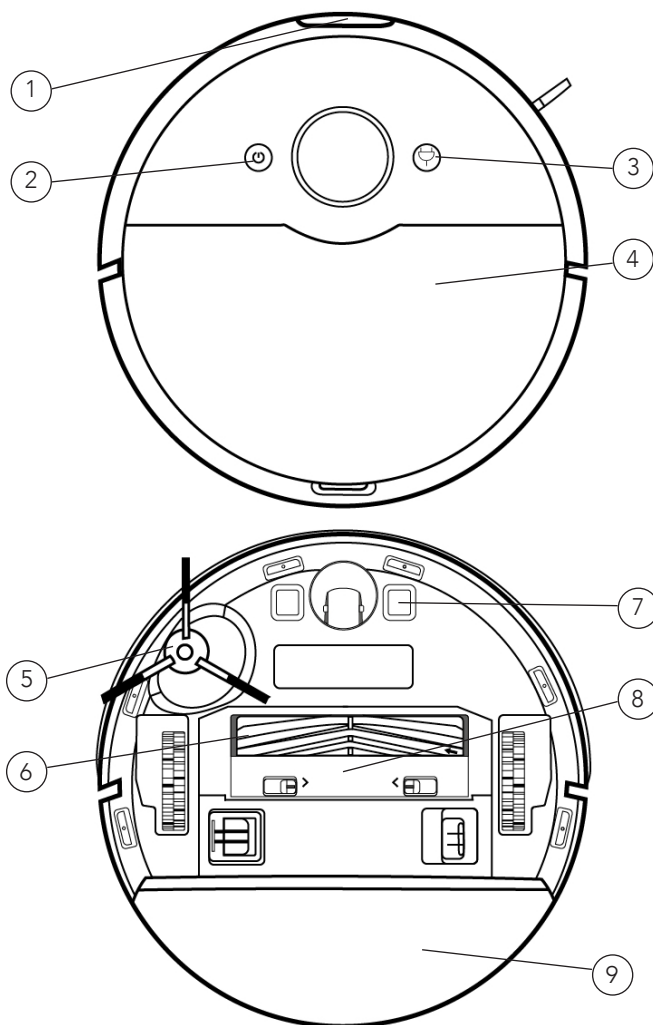
PRZEGLĄD PRODUKTU — INFORMACJE OGÓLNE



1. Automatyczny odkurzacz
Akcesoria:
2. Wibracyjny zbiornik wody
3. Pojemnik na kurz
4. Szczotka boczna
5. Filtr siatkowy
6. Narzędzie do czyszczenia
7. All-round szczotka
8. Szczotka silikonowa
9. Mop

10. Pojemnik na kurz (w zestawie RVC-D4000SL+) (do nabycia oddzielnie)
11. Przewód zasilania
12. Wyjmowana płyta mopa
13. Zbiornik na wodę.
14. Stacja ładująca D4000

PRZEGLĄD PRODUKTU — ODKURZACZ



PL

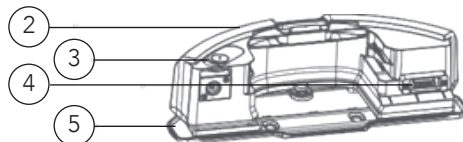
- | | | | |
|----|-----------------|----|--------------------|
| 1. | Czujnik | 6. | Szczotka |
| 2. | Włącznik | 7. | Elektrody ładujące |
| 3. | Przycisk Home | 8. | Pokrywa szczotki |
| 4. | Ośłona | 9. | Uchwyt mopa |
| 5. | Szczotka boczna | | |

PRZEGLĄD PRODUKTU — INFORMACJE SZCZEGÓŁOWE

ROBOT

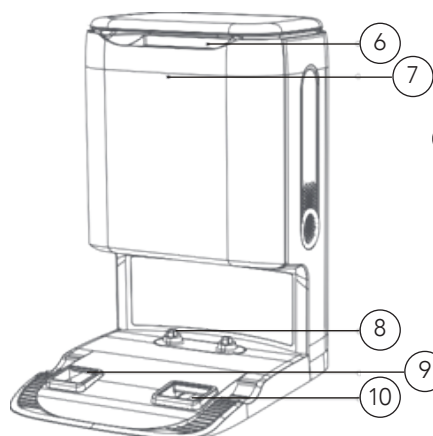


WIBRACYJNY ZBIORNIK WODY

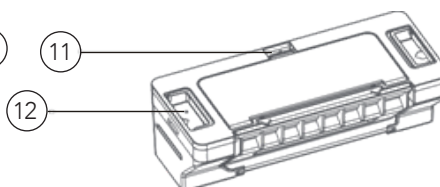


POJEMNIK NA KURZ

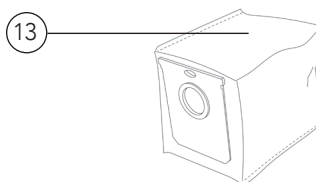
(W zestawie RVC-D4000SL+ lub do nabycia osobno)



POJEMNIK NA KURZ





WOREK NA KURZ



1. Resetowanie
2. Mocowanie
3. Wlot wody
4. Metalowy drążek zbiornika na wodę
5. Mop
6. Filtr siatkowy

7. Wskaźnik
8. Elektroda ładująca
9. Wylot powietrza
10. Wlot kurzu
11. Mocowanie
12. Blokada
13. Worek na kurz

PRZEGLĄD PRODUKTU — KONTROLKI I PRZYCISKI

Niebieskie światło jest zawsze włączone	Gotowość / Normalna praca / Wi-Fi jest podłączone
Niebieskie światło wolno pulsuje	Ładowanie, stopień naładowania ponad 20%
Niebieskie światło miga	Trwa aktualizacja firmware / przywracanie ustawień fabrycznych / Podłączanie do sieci
Żółte światło jest zawsze włączone	Wi-Fi jest offline
Żółte światło wolno pulsuje	Ładowanie, stopień naładowania spadł poniżej 20%
Żółte światło miga	Ładowanie
Czerwone światło miga	Stan nieprawidłowy
 Włącznik	Długie naciśnięcie przez 3 s, włączenie lub wyłączenie zasilania. Krótkie naciśnięcie, start lub przerwa.
 Przycisk ładowania	Krótkie naciśnięcie podczas pracy, robot wstrzymuje czyszczenie. Krótkie naciśnięcie w trybie wstrzymania, rozpoczęcie ładowania. Krótkie naciśnięcie podczas ładowania, zatrzymanie ładowania.

INSTALACJA


Aby zainstalować stację ładującą, należy umieścić ją przy ścianie i podłączyć przewód zasilający. Upewnić się, że z przodu i z boku ładowarki jest wystarczająco dużo miejsca.

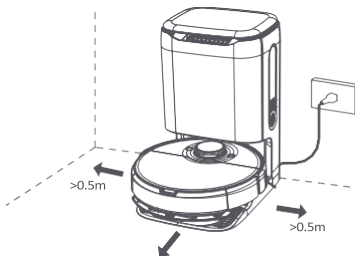
Montaż automatycznego pojemnika na kurz. Umieść pojemnik na kurz przy ścianie i podłącz przewód zasilający.

Uwaga:

- Nie wystawiaj pojemnika na kurz na bezpośrednie oddziaływanie promieni słonecznych.
- Automatyczny pojemnik na kurz wymaga ponad 1,5 metra wolnej przestrzeni z przodu i ponad 0,5 metra z obu stron.
- Upewnij się, że robot nie zaczepi o przewód zasilający.

WŁĄCZANIE I ŁADOWANIE

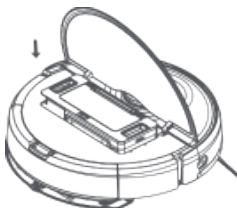
Ustaw robota na podstawie i wyrównaj elektrody ładujące ze stykiem ładowania. Na potrzeby codziennego użytkowania można rozpocząć inteligentne ładowanie, naciskając krótko przycisk .



- Robot nie uruchomi się, gdy akumulator będzie rozładowany. Ustaw go na podstawie w celu naładowania.
- Robot uruchomi się automatycznie po podłączeniu do bazy i nie będzie można go wyłączyć podczas ładowania.

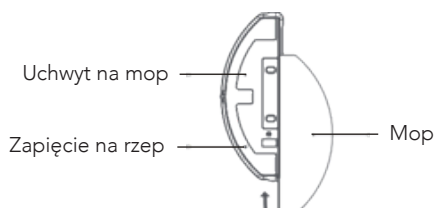
TRYB ZAMIATANIA

Otwórz pokrywę, włóż pojemnik na kurz i dociśnij go. Uwaga: W przypadku zabrudzenia, które wpływa na skuteczność czyszczenia, należy regularnie czyścić pojemnik na kurz.

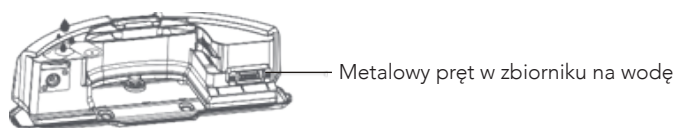


TRYB MOPA

1. Włóż mop wzdłuż szczeliny w uchwycie mopa i przymocuj go na rzep.



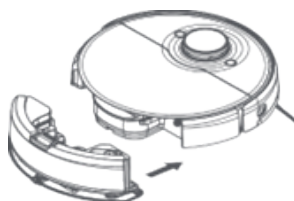
2. Otwórz pokrywę zbiornika wody, napełnij go, a następnie zamocuj pokrywę.



Uwaga:

- Nie używaj detergentów, środków dezynfekujących, środków czyszczących w postaci stałej ani innych środków czyszczących ani nie wlewaj gorącej wody do zbiornika na wodę w przypadku korozji lub uszkodzenia zbiornika na wodę.
- Zabrania się płukania lub namaczania zbiornika na wodę. Metalowy pręt w zbiorniku na wodę powinien być suchy przed przystąpieniem do czyszczenia mopem.

3. Wsuń zbiornik na wodę do dolnej części robota aż do zatrzaśnięcia.



Uwaga:

- W przypadku ścierania mopem podłogi, w okolicach wykładziny podłogowej skonfiguruj wirtualne bariery, czyli strefy zabronione.
- Przed rozpoczęciem zamiatania/czyszczenia mopem usuń wodę nagromadzoną na podłodze.

OBSŁUGA APLIKACJI

WYBÓR TRYBU/POZIOMU CZYSZCZENIA

Można wybrać różne tryby czyszczenia i natężenia przepływu wody.

TRYB NIE PRZESZKADZAĆ (DND)

Po włączeniu trybu Nie przeszkadzać, w robocie nie można korzystać z funkcji kontynuacji od miejsca zatrzymania, zaplanowanego czyszczenia i aktywnego sterowania głosem.

Tryb Nie przeszkadzać jest domyślnie aktywowany w godzinach od 22:00 do 7:00.

Tryb Nie przeszkadzać można dezaktywować w aplikacji.

TRYB CZYSZCZENIA BEZ MAPY

Jeśli nie ma zapisanej mapy, robot rozpocznie czyszczenie każdej strefy o wymiarach 6 m × 6 m. Jeśli mapa została zapisana, robot automatycznie rozpocznie czyszczenie każdego pomieszczenia na zaplanowanej trasie i powróci do podstawy po zakończeniu.

MAPA W PAMIĘCI

Po aktywowaniu w aplikacji mapy w pamięci robot zapisuje i aktualizuje mapę po pomyślnym zakończeniu czyszczenia i ładowaniu. Po pomyślnym przejściu ścieżki według mapy można podzielić lub połączyć strefy lub nazwać dowolne pomieszczenie w aplikacji.

TRYB CZYSZCZENIA PRZY ŚCIANACH

Po wybraniu w aplikacji trybu czyszczenia przy ścianach robot automatycznie rozpozna obszar do czyszczenia, rozpocznie czyszczenie wzdłuż ścian, a po zakończeniu czyszczenia automatycznie powróci do podstawy.

OKREŚLONY TRYB CZYSZCZENIA

Gdy obszar do czyszczenia jest określony w aplikacji, robot wyczyści określony obszar. **Uwaga:** Podczas czyszczenia robot może wyjść poza zdefiniowany obszar, dlatego usuń wszelkie przeszkody na podłodze w pobliżu określonego obszaru.

TRYB CZYSZCZENIA PUNKTOWEGO

Po wybraniu w aplikacji trybu czyszczenia punktowego i punktu docelowego robot rozpocznie czyszczenie na prostokątnym obszarze o wymiarach 2 m × 2 m w oparciu o pozycję docelową zdefiniowaną na mapie w aplikacji.

TRYB PLANOWEGO CZYSZCZENIA

Użytkownik może zaplanować zadanie czyszczenia w aplikacji, a robot rozpocznie je zgodnie z harmonogramem i powróci do podstawy po zakończeniu zadania.

Uwaga: Żadne zaplanowane zadania czyszczenia nie będą wykonywane w czasie, gdy tryb Nie przeszkadzać będzie aktywny.

WIRTUALNA ŚCIANA/STREFA ZABRONIONA

Użytkownik może zdefiniować w aplikacji wirtualną ścianę/strefę zabronioną, której robot nie będzie przekraczał podczas czyszczenia. **Uwaga:** Przed skorzystaniem z tej funkcji należy zapisać mapę w aplikacji. Przesunięcie robota lub zmiana środowiska wewnętrznego może spowodować utratę oryginalnej mapy i zdefiniowanych wirtualnych ścian/stref zabronionych.

RESETOWANIE/PRZYWRACANIE SYSTEMU

- Naciśnięcie przycisku Reset i przytrzymanie przez 3 sekundy spowoduje nie tylko przywrócenie ustawień fabrycznych, ale także zresetowanie oprogramowania sprzętowego do ostatniej wersji.
- Naciśnięcie przycisku Reset i przytrzymanie przez 10 sekund spowoduje wykasowanie wszystkich informacji dotyczących połączenia sieciowego, informacji o mapach, zaplanowanych zadaniach i porach trybu Nie przeszkadzać, a także przywrócenie domyślnej mocy ssania.

Uwaga: Po zresetowaniu/przywróceniu systemu robot musi ponownie połączyć się z aplikacją, a odpowiednie ustawienia w aplikacji zostaną usunięte.

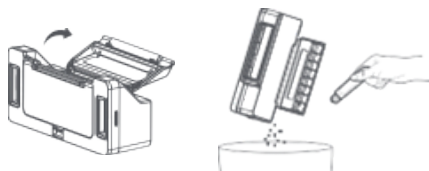
KONSERWACJA I CZYSZCZENIE

POJEMNIK NA KURZ

1. Otwórz pokrywę, naciśnij blokadę pojemnika na kurz i wyjmij pojemnik



2. Opróżnij pojemnik na kurz i wyczyść go szczotką



3. Zdejmij pokrywę pojemnika na kurz, wyjmij filtr siatkowy, opróżnij pojemnik i wyczyść filtr.

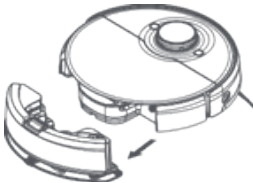


Uwaga:

- Zaleca się czyszczenie pojemnika na kurz co najmniej raz w tygodniu. Przed użyciem osusz pojemnik na kurz i filtr siatkowy (min. 24 godziny)
- Nie myj pojemnika na kurz wodą, ponieważ może to spowodować uszkodzenie elementów elektrycznych.

ZBIORNIK WIBRACYJNY

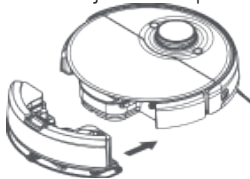
1. Jak pokazano na rysunku, naciśnij mocowanie zbiornika i wyciągnij zbiornik poziomo.



2. Obrócić plastikową pokrywę zbiornika, wylej pozostałą w niej wodę i zamontuj pokrywę na miejscu.

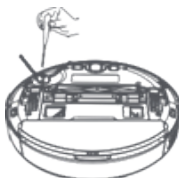


3. Zamontuj zbiornik prawidłowo, jak pokazano na rysunku.



SZCZOTKA BOCZNA

1. Obróć robota i wykręć śruby mocujące szczotkę boczną.
2. Wyjmij szczotkę boczną i oczyść ją.
3. Zamontuj szczotkę boczną i dokręć śruby.

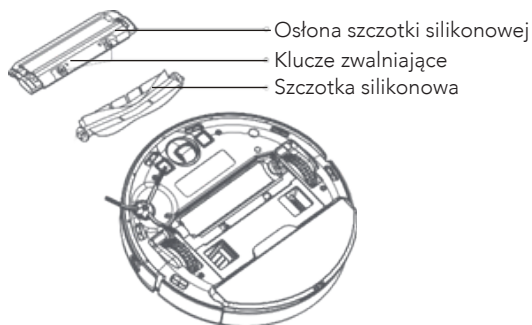


Uwaga: Zaleca się wymianę szczotki bocznej co 3–6 miesięcy, aby zapewnić skuteczność czyszczenia.

SZCZOTKA SILIKONOWA

1. Obróć robota, a następnie naciśnij i przytrzymaj dwa przyciski zwalniające, aby zdjąć silikonową osłonę szczotki.
2. Wyjmij szczotkę główną do góry.
3. Za pomocą ostrza na szczotce przetnij splątane włosy na szczotce silikonowej i oczyść szczotkę główną.
4. Załóż z powrotem szczotkę główną, szczotkę silikonową i osłonę szczotki silikonowej, a następnie naciśnij osłonę szczotki silikonowej, aby zamontować ją na miejscu.

Uwaga: Zaleca się wymianę szczotki silikonowej co 6–12 miesięcy, aby zapewnić skuteczność czyszczenia.



METODA CZYSZCZENIA SZCZOTKI

Użyć dołączonego narzędzia do czyszczenia.



Przecinanie włosów



Czyszczenie brzoju

PL

CZUJNIK SPADKU

Co 3 miesiące należy czyścić czujnik spadku miękką, suchą ściereczką.



Czujnik spadku

CZUJNIK OPTYCZNY

Robot jest wyposażony w precyzyjny czujnik optyczny: czujnik ToF 3D. Te czujniki należy czyścić miękką, niepylącą ściereczką, aby usunąć z nich wszelkie zabrudzenia i kurz, które w przypadku znacznego nagromadzenia się, mogą negatywnie wpłynąć na wydajność pracy robota. **Uwaga:** Do czyszczenia czujnika nie wolno używać środków chemicznych, takich jak detergent lub spray.



ROZWIĄZYWANIE PROBLEMÓW

Problem	Rozwiązanie
Nie można włączyć	<ol style="list-style-type: none"> 1. Rozładowany akumulator 2. Temperatura otoczenia jest zbyt niska (poniżej 0°C) lub zbyt wysoka (powyżej 35°C)
Robot nie rozpoczyna sprzątania	Niski poziom naładowania akumulatora. Całkowicie naładować akumulator
Robot nie może powrócić na miejsce ładowania	<ol style="list-style-type: none"> 1. Zbyt wiele barier wokół podstawy. Ustawić podstawę w miejscu o swobodnym dostępie. 2. Robot znajduje się zbyt daleko od podstawy. Przenieść robota w pobliżu podstawy i spróbować ponownie.
Nieprawidłowe działania robota	Wyłączyć robota i ponownie włączyć
Nietypowy dźwięk podczas pracy	Po wyłączeniu urządzenia sprawdzić szczotkę główną, szczotkę boczną, lewe/prawe koła pod kątem ciał obcych, w razie znalezienia — usunąć.
Wydajność czyszczenia spada lub pozostaje kurz	<ol style="list-style-type: none"> 1. Pojemnik na kurz jest pełny. Opróżnić pojemnik na kurz. 2. Filtr siatkowy jest zablokowany. Wyczyścić siatkę. 3. Szczotka główna jest zablokowana przez ciała obce. Wyczyścić główną szczotkę.

Robot jest w trybie offline	<ol style="list-style-type: none"> 1. Słaby sygnał Wi-Fi. Upewnij się, że robot znajduje się w zasięgu sieci Wi-Fi. 2. Połączenie z siecią Wi-Fi nie powiodło się. Zresetuj połączenie Wi-Fi, pobierz najnowszą aplikację i spróbuj ponownie.
Robot nie kontynuuje od punktu zatrzymania	<ol style="list-style-type: none"> 1. Upewnij się, że nie włączono trybu Nie przeszkadzać, co wyłączy kontynuację w punkcie zatrzymania. 2. Kontynuacja od punktu zatrzymania nie jest możliwa w przypadku ręcznego uruchomienia ładowania za pomocą aplikacji, przez krótkie naciśnięcie przycisku ładowania lub przez przeniesienie urządzenia do podstawy.
Nie można naładować	Upewnij się, że wokół podstawy jest wystarczająca ilość miejsca i że elektrody podstawy nie są zabrudzone ani zablokowane
Niepowodzenie planowego czyszczenia	<ol style="list-style-type: none"> 1. Upewnij się, że sprzęt jest podłączony do sieci; odłączenie od sieci wyłączy synchronizację i zaplanowane zadanie czyszczenia. 2. Upewnij się, że nie włączono trybu Nie przeszkadzać, co spowoduje wyłączenie zaplanowanego czyszczenia.
Robot jest zawsze offline	Upewnij się, że konfiguracja sieci w robocie jest prawidłowa oraz że robot znajduje się zawsze w zasięgu sygnału Wi-Fi.
Robot nie łączy się z aplikacją	Upewnij się, że robot i podstawa znajdują się w obszarze o dobrym sygnale Wi-Fi; zresetuj sieć Wi-Fi zgodnie z krokami opisanymi w Instrukcji obsługi, a następnie ponownie przeprowadź parowanie.

KOMUNIKATY O BŁĘDACH

Problem	Rozwiązanie
Ustaw robota na poziomym podłożu i uruchom go.	Wykryto, że robot jest nachylony. Ustaw robota na poziomym podłożu i uruchom go lub wykonaj poziomowanie w aplikacji, a następnie uruchom ponownie robota.
Ustaw robota na podłodze, aby rozpocząć	Koło jest zawieszone. Przesuń w nowe położenie, aby rozpocząć.
Po przemieszczeniu na dużą odległość ponownie rozpocznij zadanie czyszczenia	Ręczne przemieszczenie robota spowoduje niepowodzenie w podążaniu trasą. Rozpocznij ponownie zadanie czyszczenia.
Radar laserowy jest zaplątany lub zablokowany. Wyczyść go.	Wokół radaru zaplątały się włókna. Usuń wszelkie włókna.
Przed uruchomieniem upewnij się, że czujnik laserowy nie jest zablokowany.	Czujnik laserowy jest przesłonięty lub zablokowany przez ciała obce. Usuń przeszkodę lub ciało obce. Jeśli usunięcie nie jest możliwe, przesuń robota, a następnie uruchom go.
Upewnij się, że czujnik rozpoznawania optycznego nie jest zablokowany.	Czujnik rozpoznawania optycznego jest przesłonięty lub zablokowany przez ciała obce. Usuń przeszkodę lub ciało obce. Jeśli usunięcie nie jest możliwe, przesuń robota, a następnie uruchom go.
Sprawdź, czy czujnik rozpoznawania optycznego nie jest przesłonięty.	Czujnik rozpoznawania optycznego jest przesłonięty lub zablokowany przez ciała obce. Usuń przeszkodę lub ciała obce. Jeśli nie można go wyczyścić, przenieś urządzenie w nowe miejsce, aby rozpocząć.
Wyczyść czujnik spadku i przesuń urządzenie w nowe miejsce, aby je uruchomić.	Robot nie znajduje się na podłożu. Przystaw robota i ponownie uruchom go. Czujnik spadku jest brudny. Wyczyść czujnik spadku
Sprawdź czujnik kolizji i usuń wszelkie ciała obce.	Czujnik kolizji jest zablokowany. Usuń ciała obce, stukając w czujnik. Jeśli nie ma ciał obcych, przestaw robota i uruchom go ponownie.

Wyczyść brzegowy czujnik podczerwieni.	Brzegowy czujnik podczerwieni może być przesłonięty przez ciała obce. Wyczyść go.
Awaria czujnika TOF. Sprawdź czujnik i wyczyść go.	Przedni czujnik może być przesłonięty przez ciała obce. Wyczyść go.
Wyczyść powierzchnie przedniej części robota i dolny czujnik, aby usunąć kurz.	Czujnik przedni, brzegowy czujnik podczerwieni lub czujnik spadku jest zakurzony. Wyczyść go.
Awaria czujnika spadku. Wyczyść czujnik, przenieś urządzenie w nowe miejsce i uruchom je.	Czujnik spadku może być przesłonięty przez ciała obce lub zabrudzony. Wyczyść czujnik, przenieś urządzenie w nowe miejsce i uruchom je.
Radar laserowy jest zablokowany. Sprawdź radaru laserowy	Radar na górnej wieży jest zablokowany i prowadzenie nie działa. Usuń blokadę.
Pojemnik na kurz nie był czyszczony przez długi czas. Wyczyść go niezwłocznie.	Pojemnik na kurz jest pełny. Opróżnij go.
Wykryto wirtualną ścianę lub strefę zabronioną. Przesuń robota poza tę strefę.	Robot stoi przy wirtualnej ścianie lub w strefie zabronionej. Usuń go z tej strefy.
Urządzenie jest zablokowane. Usuń wszelkie przeszkody wokół urządzenia i spróbuj ponownie. Ustaw urządzenie z powrotem na podstawie.	Robot jest zablokowany przez przeszkodę. Usuń wszelkie przeszkody. Robot nie może znaleźć podstawy. Ustaw go ręcznie na podstawie.
Wykryto nowe środowisko. Uruchom ponownie zadanie czyszczenia.	Robot znajduje się w nowym środowisku i jeszcze nie utworzono żadnej mapy. Uruchom ponownie zadanie odkurzania.

PL



GWARANCJA

Firma Wilfa udziela 5-letniej gwarancji na ten produkt od dnia zakupu. Gwarancja obejmuje wady produkcyjne lub wady powstałe w okresie gwarancyjnym. W przypadku roszczeń z tytułu gwarancji dowodem dla sprzedawcy jest paragon lub inny dokument potwierdzający zakup.

Gwarancja obejmuje wyłącznie produkty zakupione i używane na potrzeby indywidualnych gospodarstw domowych. Komercyjna eksploatacja produktu powoduje unieważnienie gwarancji. Gwarancja zostanie unieważniona w przypadku niewłaściwego używania produktu, niedbałości, postępowania niezgodnego z instrukcjami podanymi przez firmę Wilfa, a także w przypadku modyfikacji produktu lub jego nieautoryzowanej naprawy. Gwarancja nie obejmuje ponadto normalnego zużycia, użycia niezgodnego z przeznaczeniem, braku konserwacji, podłączenia do nieprawidłowego napięcia elektrycznego oraz:

- Przeciążenia produktu
- Części, które zużywają się w wyniku normalnej eksploatacji
- Części, które należy regularnie wymieniać (np. filtr, akumulator itp.)

Instrukcja obsługi jest także dostępna na naszej stronie internetowej: wilfa.com

DANE TECHNICZNE PRODUKTU

Rozmiar	350 x 97 mm
Moc znamionowa	55 W
Napięcie znamionowe	14,8 V
Napięcie ładowania	20 V
Pojemność akumulatora: SL, AI, SL+	6400 mAh

POMOC TECHNICZNA I CZĘŚCI ZAMIENNE

Aby uzyskać pomoc techniczną, odwiedź stronę obsługi klienta/pomocy technicznej w naszej witrynie **wilfa.com**. Znajdziesz tam często zadawane pytania, listy części zamiennych, porady i wskazówki oraz wszystkie dane kontaktowe.

MOŻLIWOŚĆ RECYKLINGU



Ten znak wskazuje, że w Unii Europejskiej to urządzenie nie może być wyrzucane wraz z odpadami z gospodarstw domowych. Aby zapobiec możliwemu skażeniu środowiska lub zagrożeniom dla zdrowia ludzi z uwagi na niekontrolowaną utylizację odpadów, należy odpowiedzialnie przekazać je do recyklingu w celu promocji zrównoważonej gospodarki zasobami materiałowymi w zakresie ponownego użycia. Aby pozbyć się urządzenia po okresie eksploatacji, należy skorzystać z właściwego punktu zbiórki lub skontaktować się ze sprzedawcą, od którego kupiono produkt. W ten sposób produkt zostanie bezpłatnie przekazany do recyklingu bezpiecznego dla środowiska.

PL

FR

CONTENU

198	CONSIGNES DE SÉCURITÉ IMPORTANTES
200	BATTERIE ET CHARGEMENT
201	CONSIGNES RELATIVES À LA PROTECTION DE L'ENVIRONNEMENT
202	CLAUSES DE NON RESPONSABILITÉ
203	APERÇU DES PRODUITS – GÉNÉRALITÉS
204	APERÇU DES PRODUITS – ASPIRATEUR
205	APERÇU DES PRODUITS – DÉTAILLÉS
206	APERÇU DES PRODUITS – LUMIÈRES ET BOUTONS
207	INSTALLATION
209	APPLICATIONS
210	ENTRETIEN ET NETTOYAGE
213	DÉPANNAGE
215	MESSAGES D'ERREUR
218	GARANTIE
219	CARACTÉRISTIQUES DU PRODUIT
219	ASSISTANCE ET PIÈCES DÉTACHÉES
219	RECYCLAGE

CONSIGNES DE SÉCURITÉ IMPORTANTES

- Cet appareil peut être utilisé par des enfants à partir de huit ans et des personnes en situation de handicap physique, mental ou sensoriel ou encore manquant de connaissances et d'expérience, si elles sont surveillées ou ont reçu des instructions sur l'utilisation sûre de l'appareil, et si elles ont conscience des risques inhérents. Il est interdit aux enfants de jouer avec l'appareil. Les enfants ne doivent pas procéder au nettoyage ni à l'entretien de l'appareil sans surveillance.
- Ce produit sert uniquement au nettoyage des sols dans un environnement domestique et ne doit pas être utilisé à l'extérieur, dans un environnement autre que le sol, commercial ou industriel.
- Ne pas laisser les enfants jouer avec la machine. Surveiller les enfants et les animaux domestiques pour les maintenir aussi loin que possible lorsque la machine est en marche.
- Si le cordon d'alimentation est endommagé, il doit être remplacé par un cordon spécial ou un composant spécial acheté auprès de son fabricant ou de son service de maintenance.
- Ne jamais laisser des enfants ou des animaux s'asseoir sur la machine.
- Ne pas manipuler ce robot en utilisant le capot de protection du radar laser comme poignée.

- Ne pas l'utiliser dans des environnements suspendus sans barrières de protection (comme des sols duplex, des balcons ouverts et des dessus de meubles).
- Ne pas l'utiliser dans un environnement où la température est supérieure à 35 °C et inférieure à 0 °C ou où il y a des liquides et des objets collants au sol.
- Ne pas l'utiliser pour nettoyer des objets brûlants.
- Avant toute utilisation, acheminer et plier les câbles sur le sol en cas d'obstruction qui bloque le mouvement de la machine.
- Ranger les objets fragiles et les objets divers (tels que les vases et les sacs en plastique, etc.) au sol, afin d'éviter d'endommager les objets de valeur à la maison lorsque la machine est bloquée pendant le fonctionnement ou en cas de collision légère.
- Ne pas activer le mode serpillière sur le tapis. En lavant le sol, aménager des murs virtuels ou des zones interdites dans la zone de la moquette.
- Ne pas laisser la machine absorber des objets durs ou tranchants (tels que des déchets de décoration, du verre, des ongles, etc.).
- Nettoyer et maintenir l'appareil et la base hors tension.

- Ne pas retourner la machine au sol pendant une période prolongée.
- Si des produits doivent être transportés, s'assurer que la machine est éteinte et il est recommandé d'utiliser la boîte d'emballage d'origine pour protéger l'emballage.

BATTERIE ET CHARGEMENT

- Ne pas utiliser de batterie, de cordon d'alimentation ou de base tiers.
- Ne pas démonter, réparer ni modifier pas la batterie ou la base sans autorisation.
- Ne pas placer la base autonettoyante à proximité de la source de chaleur (comme un radiateur, etc.).
- Avant de jeter la machine, l'alimentation électrique doit être coupée et la batterie retirée de la machine.
- Si l'appareil n'est pas utilisé pendant une longue période, il faut l'éteindre après l'avoir complètement chargé et le ranger dans un endroit frais et sec.
- Il est recommandé de recharger au moins une fois par mois.

CONSIGNES RELATIVES À LA PROTECTION DE L'ENVIRONNEMENT

Les informations suivantes ne s'appliquent qu'à l'élimination de ce robot et ne constituent pas une instruction de fonctionnement quotidienne :

Les substances chimiques contenues dans la

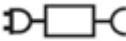
batterie lithium-ion intégrée de ce produit polluent l'environnement. Retirer la batterie avant d'éliminer la machine et confiez-la à un centre de recyclage de batteries professionnel pour une élimination centralisée.

Procédure de démontage de la batterie :

1. Laisser le robot fonctionner jusqu'à ce qu'il soit faiblement alimenté et qu'il ne puisse pas être nettoyé sans toucher la base autonettoyante.
2. Éteindre le robot.
3. Démontez la coque inférieure du robot.
4. Appuyer sur la boucle et retirer le connecteur de la batterie, puis retirer la batterie.
5. Retirer la plaque de protection de la batterie et extraire la batterie.

REMARQUE :

- Lors du démontage de la batterie, s'assurer que la batterie est épuisée et qu'elle est éloignée de la base.
- Démontez l'ensemble du bloc accumulateur et ne pas endommager le boîtier du bloc accumulateur en cas de court-circuit ou de fuite de substances dangereuses.
- Si l'on touche le liquide de la batterie, rincer abondamment à l'eau et consulter immédiatement un médecin.

- Cet appareil contient des batteries remplaçables uniquement par du personnel agréé.
- **AVERTISSEMENT !** Pour recharger la batterie, utilisez uniquement le chargeur de batterie fourni avec l'appareil.
- Pour recharger la batterie, utilisez uniquement le chargeur de batterie D4000 fourni avec l'appareil ou RVCD-D17.
- Unité d'alimentation amovible 

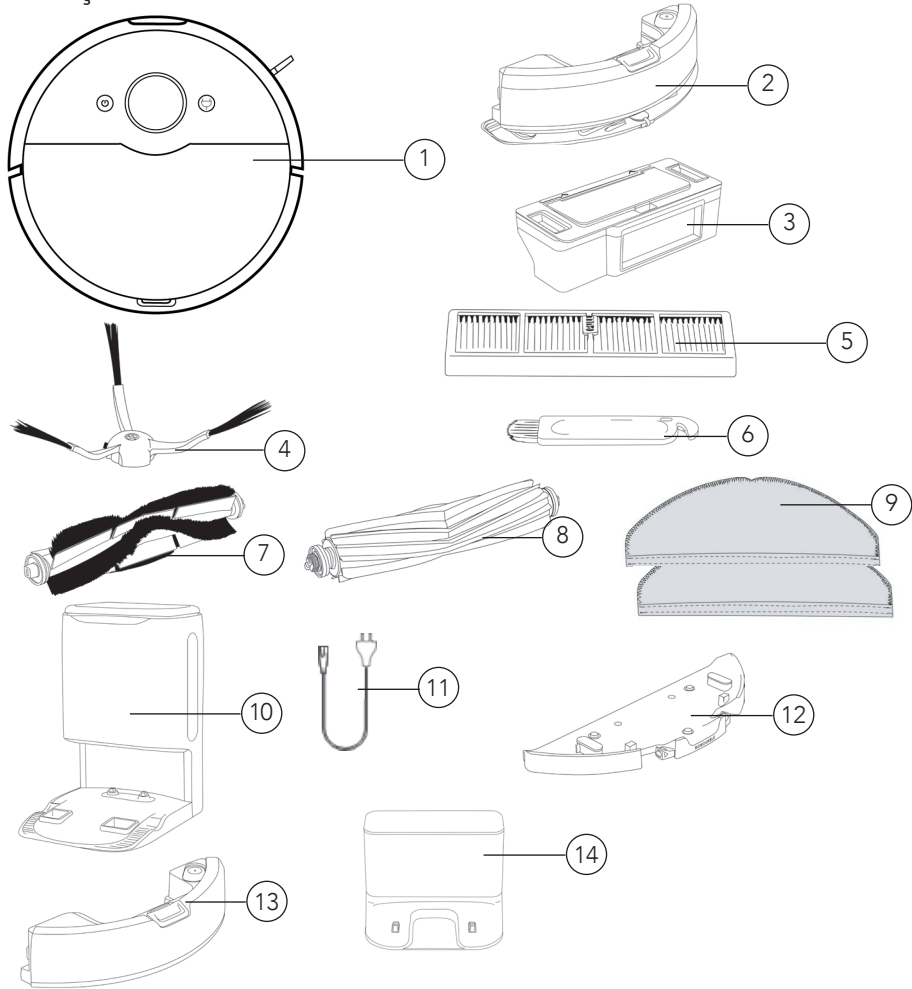
CLAUSES DE NON RESPONSABILITÉ

La liste des types de smartphones sur le marché est longue et croissante. Les performances du système peuvent varier en fonction des différentes combinaisons du système d'exploitation et de la manière dont il est mis en œuvre dans le modèle de téléphone. Les modifications de l'industrie peuvent également avoir une incidence. Par conséquent, bien que nous nous attendions à de bonnes performances dans la plupart des cas, les performances attendues de l'application ne sont pas garanties. Bien que l'application fonctionnera très probablement longtemps avec des versions matérielles et logicielles plus anciennes, il faut maintenir les systèmes d'exploitation de le téléphone à jour pour vous assurer que l'application fonctionne parfaitement.

Exigence minimale de janvier 2023 :

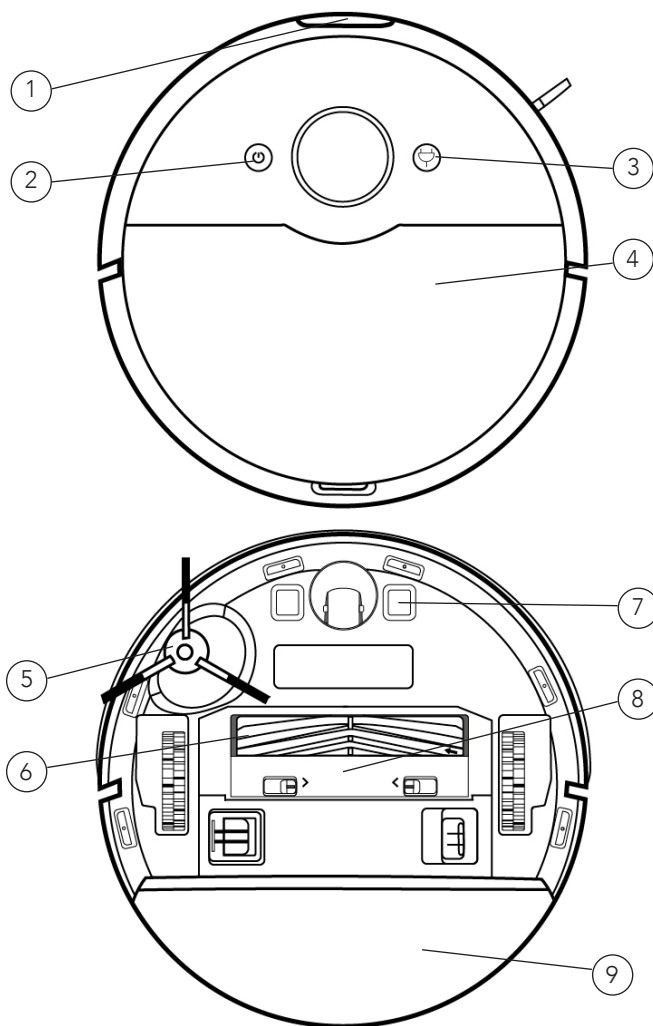
- iOS 14.00
- Android 10.0

APERÇU DES PRODUITS – GÉNÉRALITÉS



- | | | | |
|----|-------------------------|-----|--|
| 1. | Robot aspirateur | 9. | Serpillère |
| 2. | Accessoires : | 10. | Stadion de poubelle (incluse dans RVC-D4000SL+) (peut être achetée séparément) |
| 3. | Réservoir d'eau vibrant | 11. | Cordon d'alimentation |
| 4. | Bac à poussière | 12. | Plateau à serpillière amovible |
| 5. | Balai latéral | 13. | Réservoir d'eau. |
| 6. | Écran de filtre | 14. | Station de charge D4000 |
| 7. | Outil de nettoyage | | |
| 8. | All-round brosse | | |
| | Brosse en silicone | | |

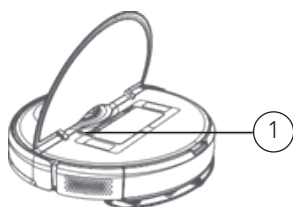
APERÇU DES PRODUITS – ASPIRATEUR



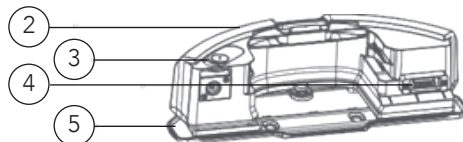
- | | | | |
|----|---------------------|----|--------------------------|
| 1. | Capteur | 6. | Brosse |
| 2. | Bouton marche/arrêt | 7. | Électrodes de charge |
| 3. | Bouton Accueil | 8. | Couvercle de brosse |
| 4. | Couvercle | 9. | Support pour serpillière |
| 5. | Balai latéral | | |

APERÇU DES PRODUITS – DÉTAILLÉS

ROBOT

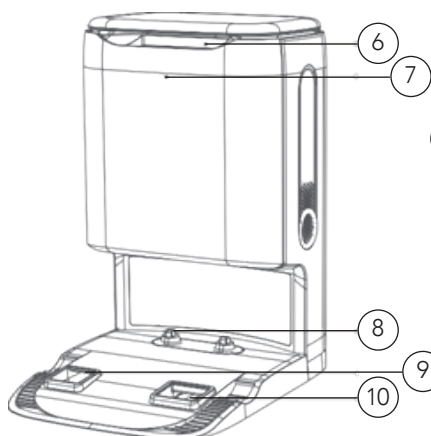


RÉSERVOIR D'EAU VIBRANTE

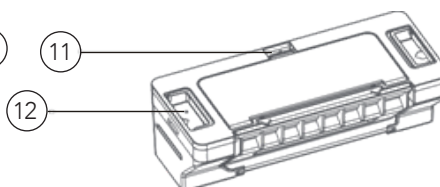


STATION DE POUBELLE

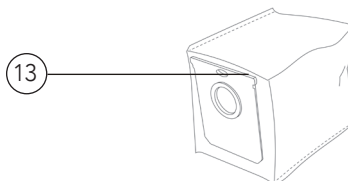
(Inclus dans RVC-D4000SL+ ou à acheter séparément)



BOÎTE À POUSSIÈRE





SAC À POUSSIÈRE



- | | | | |
|----|--------------------------------------|-----|---------------------|
| 1. | Réinitialiser | 7. | Indicateur |
| 2. | Attache | 8. | Électrode de charge |
| 3. | Entrée d'eau | 9. | Sortie d'air |
| 4. | Poteau métallique du réservoir d'eau | 10. | Entrée de poussière |
| 5. | Serpillière | 11. | Attache |
| 6. | Écran de filtre | 12. | Verrou |
| | | 13. | Sac à poussière |

APERÇU DES PRODUITS – LUMIÈRES ET BOUTONS

La lumière bleue est toujours allumée	Veille/Fonctionnement normal/ Wi-Fi connecté
La lumière bleue s'allume	Chargement/Puissance plus haut que 20 %
La lumière bleue clignote	Mise à jour du firmware en cours/ Restauration des paramètres d'usine/ Connexion au réseau
La lumière jaune est toujours allumée	Le Wi-Fi est hors ligne
La lumière jaune s'allume	Chargement/Puissance inférieure à 20 %
La lumière jaune clignote	Recharge
La lumière rouge clignote	État anormal
 Bouton marche/arrêt	Appui long pendant 3 s, mise sous tension ou hors tension. Appuyer brièvement, démarrer ou mettre en pause.
 Bouton de recharge	En état de fonctionnement, appui court, le robot interrompt le nettoyage. En mode pause, appuyer brièvement sur démarrer le rechargement. En état de charge, appuyer brièvement pour arrêter la charge.

INSTALLATION


Pour installer la station de charge, la placer contre le mur et brancher le cordon d'alimentation. S'assurer qu'il y a suffisamment d'espace à l'avant et sur les côtés du chargeur.

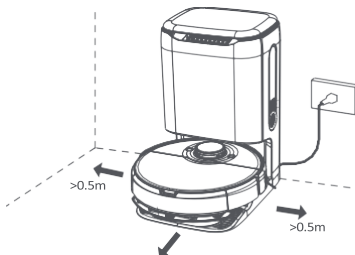
Installation de la poubelle automatique. Placer la poubelle contre le mur et brancher le cordon d'alimentation.

Remarque :

- Ne pas placer la poubelle à la lumière directe du soleil.
- La poubelle automatique nécessite plus de 1,5 mètre d'espace à l'avant et plus de 0,5 mètre des deux côtés.
- S'assurer que le cordon d'alimentation n'est pas placé à un endroit où le robot pourrait le tirer.

ALLUMER ET CHARGER

Placer le robot sur la base et aligner les électrodes de charge avec le contact de charge. Pour une utilisation quotidienne, il est possible de démarrer la recharge intelligente en appuyant brièvement sur le bouton 

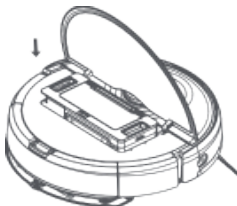


- Le robot ne peut pas démarrer lorsqu'il est à faible puissance. La placer sur la base pour la recharger.
- Le robot démarre automatiquement après la connexion à la base et ne peut pas être arrêté pendant le rechargement.

MODE BALAYAGE

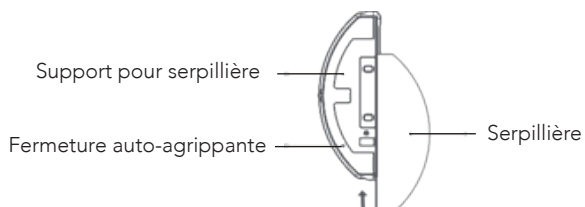
Ouvrez le couvercle, insérez le bac à poussière et appuyez dessus.

Remarque : Nettoyer régulièrement le bac à poussière en cas de saleté affectant l'effet de nettoyage.

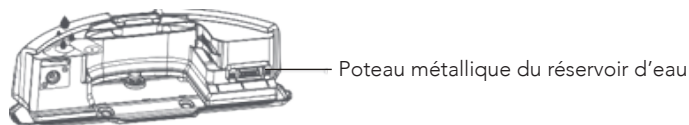


MODE SERPILLIÈRE

1. Insérer la serpillière le long de la fente du support et la coller sur la fermeture auto-agrippante.



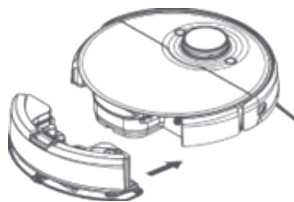
2. Ouvrir le couvercle du réservoir d'eau, remplir le réservoir d'eau, puis fixer le couvercle du réservoir d'eau.



Remarque :

- Ne pas utiliser de détergents, de désinfectants, de nettoyeurs solides ou d'autres produits de nettoyage, et ne pas injecter d'eau chaude dans le réservoir d'eau en cas de corrosion ou d'endommagement du réservoir d'eau.
- Il est interdit de doucher ou de faire tremper le réservoir d'eau ; le poteau métallique du réservoir d'eau doit être sec avant d'effectuer une tâche de nettoyage à la serpillière.

3. Pousser le réservoir d'eau dans le fond du robot et il émettra un « clic » lorsqu'il sera installé.



Remarque :

- En lavant le sol, installer des murs virtuels ou des zones interdites dans la zone de la moquette.
- Avant de démarrer la fonction de balayage/serpillière, veiller à éliminer toute accumulation d'eau sur le sol.

APPLICATIONS

SÉLECTION DU MODE/NIVEAU DE NETTOYAGE

Il est possible de choisir différents modes de nettoyage et débits d'eau.

MODE NE PAS DÉRANGER

Lorsque le mode Ne pas déranger est activé, il n'est pas possible de procéder au point de séparation, au nettoyage programmé et aux rapports vocaux actifs dans le robot. Le mode Ne pas déranger est activé par défaut entre 22 h 00 et 7 h 00. Le mode Ne pas déranger peut être désactivé dans l'application.

MODE NETTOYAGE SANS CARTE

Lorsqu'aucune carte n'est enregistrée, le robot commence à nettoyer chaque zone sur une surface carrée de 6 m×6 m. Lorsqu'une carte est enregistrée, le robot commence automatiquement à nettoyer chaque pièce le long de l'itinéraire planifié et revient à la base une fois terminé.

CARTE MÉMOIRE

Lorsque la carte mémoire est activée dans l'application, le robot enregistre et met à jour la carte une fois la tâche de nettoyage terminée et la recharge réussie. Une fois la carte terminée avec succès, il est possible de diviser ou fusionner des zones ou nommer toute pièce dans l'application.

MODE DE NETTOYAGE DES BORDS

Lors du choix du mode de nettoyage des bords dans l'application, le robot reconnaîtra automatiquement la zone à nettoyer, commencera le nettoyage le long des bords et retournera automatiquement à la base une fois le nettoyage terminé.

MODE DE NETTOYAGE DE LA ZONE SPÉCIFIÉE

Lorsqu'une zone à nettoyer est spécifiée dans l'application, le robot nettoie la zone spécifiée. **Remarque** : Pendant le nettoyage, le robot peut aller au-delà d'une zone définie, retirer tout obstacle sur le sol dans la zone définie car la définition d'une zone ne garantira pas une séparation sûre.

MODE DE NETTOYAGE EN POINT FIXE

Si l'utilisateur choisit le nettoyage en point fixe et a sélectionné un point cible dans l'application, le robot achemine la tâche de nettoyage et commence le nettoyage dans une zone rectangulaire de 2 m × 2 m en fonction de la position cible définie dans la carte dans l'application.

MODE DE NETTOYAGE PROGRAMMÉ

L'utilisateur peut programmer une tâche de nettoyage dans l'application, et le robot démarrera la tâche de nettoyage comme prévu et retournera à la base à la fin de la tâche. **Remarque** : Aucune tâche de nettoyage programmée ne sera exécutée tant que le mode Ne pas déranger sera activé.

MUR VIRTUEL/ZONE INTERDITE

L'utilisateur peut définir un mur virtuel/une zone restreinte dans l'application que le robot évitera de nettoyer. **Remarque** : Avant d'utiliser cette fonction, il faut enregistrer une carte dans l'application. Le déplacement du robot ou le changement d'environnement intérieur peut entraîner la perte de la carte d'origine et l'indisponibilité de tout mur virtuel/zone restreinte.

RÉINITIALISER/RÉTABLIR LE SYSTÈME

- En appuyant longuement sur le bouton Reset (Réinitialiser) pendant 3 secondes, vous rétablirez non seulement les réglages d'usine, mais également le micrologiciel sur la dernière version.
- En cas d'appui long sur le bouton de réinitialisation pendant 10 secondes, l'appareil efface toutes les informations de connexion au réseau, les informations de carte, les informations de tâche planifiée et de non-perturbation, ainsi que les informations de personnalisation, et réinitialise la puissance d'aspiration au niveau par défaut.

Remarque : Après la réinitialisation/restauration du système, le robot doit reconnecter l'application et les paramètres correspondants de l'application sont supprimés.

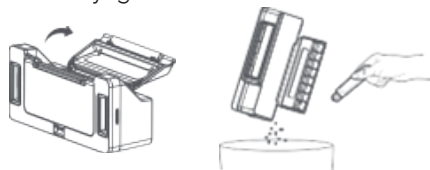
ENTRETIEN ET NETTOYAGE

BAC À POUSSIÈRE

1. Ouvrir le couvercle, appuyer sur le verrou du bac à poussière et retirer le bac à poussière.



2. Jeter les déchets dans le bac à poussière et nettoyer la boîte avec une brosse de nettoyage.



3. Retirer le couvercle du bac à poussière, sortir la crépine du filtre, jeter les déchets et nettoyer le filtre.

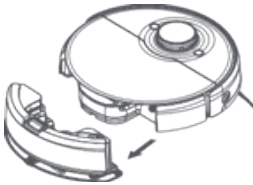


Remarque :

- Il est recommandé de nettoyer le bac à poussière au moins une fois par semaine. Sécher le bac à poussière et le tamis du filtre avant utilisation (au moins 24 heures)
- Ne pas laver le bac à poussière à l'eau, cela pourrait endommager les composants électriques.

CUVE VIBRANTE

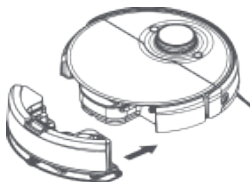
1. Comme indiqué sur la figure, appuyer sur la fixation du réservoir et retirer le réservoir à l'horizontale.



2. Retourner le couvercle en plastique du réservoir, évacuer l'eau résiduelle qu'il contient et le remettre en place.

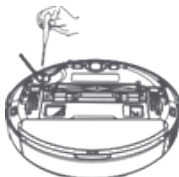


3. Comme indiqué sur la figure, monter le réservoir correctement.



BALAI LATÉRAL

1. Retourner le robot et retirer les vis de fixation des balais latéraux.
2. Retirer et nettoyer la brosse latérale.
3. Réinstaller le balai latéral et serrer les vis.

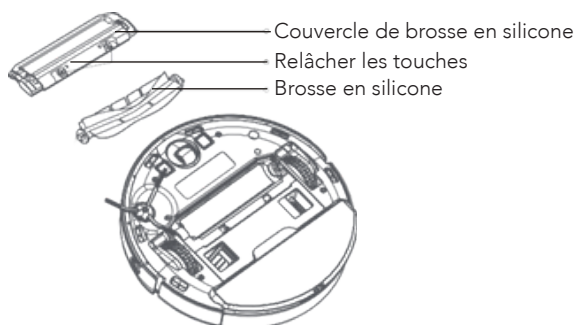


Remarque : Il est recommandé de remplacer la brosse latérale tous les 3 à 6 mois pour garantir l'efficacité du nettoyage.

BROSSE EN SILICONE

1. Retourner le robot, appuyer sur les deux boutons de déverrouillage et les maintenir enfoncés pour retirer le couvercle de la brosse en silicone.
2. Retirer la brosse principale vers le haut.
3. Utiliser le couteau de la brosse de nettoyage pour couper les poils emmêlés de la brosse en silicone et nettoyer la brosse principale.
4. Replacer la brosse principale, la brosse en silicone et le cache de la brosse en silicone, puis appuyer sur le cache de la brosse en silicone pour le mettre en place.

Remarque : Il est recommandé de remplacer la brosse en silicone tous les 6 à 12 mois pour garantir l'efficacité du nettoyage.



MÉTHODE DE NETTOYAGE À LA BROSSE

Utiliser l'outil de nettoyage fourni.



Couper les poils



Nettoyer les salissures

CAPTEUR DE CLIQUETIS

Utiliser un chiffon doux et sec pour nettoyer le capteur de cliquetis tous les 3 mois.



Capteur de cliquetis

SONDE OPTIQUE

Le robot contient un capteur optique de précision : Capteur ToF 3D. Veiller à nettoyer ces capteurs à l'aide d'un chiffon doux et non poussiéreux pour éliminer toute salissure ou poussière qui, en cas d'accumulation importante, pourrait nuire aux performances d'évitement des obstacles du robot. **Remarque** : Ne pas utiliser de produits chimiques tels que des détergents ou des sprays pour nettoyer le capteur.



DÉPANNAGE

Problème	Solution
Mise en marche impossible	<ol style="list-style-type: none"> 1. La batterie est faible 2. La température ambiante est trop basse (inférieure à 0 °C) ou trop élevée (supérieure à 35 °C)
Le robot ne démarre pas le balayage	Batterie faible. Charger la batterie jusqu'à ce qu'elle soit pleine
Le robot ne peut pas revenir pour le chargement	<ol style="list-style-type: none"> 1. Trop de barrières autour de la base de nettoyage automatique. Placer la base autonettoyante dans une zone non bloquée. 2. Le robot est trop loin de la base de nettoyage automatique. Placer le robot près de la base de nettoyage automatique et réessayer.
Actions anormales du robot	Éteindre et redémarrer le robot
Bruit anormal pendant le nettoyage	Vérifier et nettoyer les corps étrangers sur la brosse principale, la brosse latérale, la roue gauche/droite après l'arrêt de la machine.
Les performances de nettoyage se détériorent ou la poussière tombe	<ol style="list-style-type: none"> 1. Le bac à poussière est plein. Vider le bac à poussière. 2. Le tamis du filtre est obstrué. Nettoyer le tamis. 3. La brosse principale est bloquée par un corps étranger. Nettoyer la brosse principale.

<p>Robot hors ligne</p>	<ol style="list-style-type: none"> 1. Signaux Wi-Fi faibles. S'assurer que le robot capte correctement les signaux Wi-Fi. 2. Échec de la connexion Wi-Fi. Réinitialiser la connexion Wi-Fi, télécharger la dernière application et réessayer.
<p>Le robot ne parvient pas à avancer au point de rupture</p>	<ol style="list-style-type: none"> 1. S'assurer que le mode Ne pas déranger n'est pas activé, ce qui désactivera la poursuite au point de rupture. 2. Il n'est pas possible de procéder au point de rupture en commençant manuellement la recharge en effectuant des opérations dans l'application ou en appuyant brièvement sur le bouton de recharge ou lorsque l'appareil est déplacé vers la base de nettoyage automatique.
<p>Chargement impossible</p>	<p>S'assurer qu'il y a suffisamment d'espace autour de la base autonettoyante et qu'il n'y a pas de poussière ou d'obstruction sur la surface de l'électrode de la base autonettoyante</p>
<p>Échec du nettoyage planifié</p>	<ol style="list-style-type: none"> 1. S'assurer que l'équipement a été connecté au réseau, car la déconnexion du réseau échouera lors de la synchronisation et de la tâche de nettoyage planifiée. 2. S'assurer que le mode Ne pas déranger n'est pas activé, ce qui désactivera le nettoyage programmé.
<p>Le robot est toujours éteint</p>	<p>S'assurer que la configuration du réseau du robot est réussie et que le robot se trouve toujours dans la zone de couverture du signal Wi-Fi.</p>
<p>Le robot ne parvient pas à se connecter à l'application</p>	<p>S'assurer que le robot et la base autonettoyante se trouvent dans une zone avec un bon signal Wi-Fi ; réinitialiser le Wi-Fi en suivant les étapes décrites dans le mode d'emploi, puis appairer à nouveau.</p>

MESSAGES D'ERREUR

Problème	Solution
Placer le robot sur un sol horizontal et le démarrer.	Il est détecté que le robot reste incliné. Placer le robot sur un sol horizontal et le démarrer, ou effectuer la mise à niveau dans l'application, puis redémarrer le robot.
Poser le robot au sol pour démarrer	La roue est suspendue. Il faut passer à la nouvelle position pour commencer.
Après un déplacement sur une longue distance, recommencer la tâche de nettoyage	Le déplacement manuel du robot entraînera l'échec du routage. Recommencer le nettoyage.
Le radar laser est emmêlé ou bloqué. Il faut le nettoyer.	Le radar est emmêlé par la fibre. Retirer toute fibre.
S'assurer que le capteur de portée laser n'est pas bloqué avant de commencer.	Le capteur de portée laser est bloqué ou coincé par un corps étranger. Éliminer le blocage ou les corps étrangers. Si la dépose est impossible, repositionner le robot puis le démarrer.
S'assurer que le capteur de reconnaissance visuelle n'est pas obstrué.	Le capteur de reconnaissance visuelle est bloqué ou bloqué par un corps étranger. Éliminer le blocage ou les corps étrangers. Si la dépose est impossible, repositionner le robot puis le démarrer.
Confirmer que le capteur de reconnaissance visuelle n'est pas bloqué.	Le capteur de reconnaissance visuelle est bloqué ou coincé par des corps étrangers. Retirer le(s) corps étranger(s) obstrués. S'il n'est pas possible de l'effacer, déplacer l'hôte vers un nouvel emplacement pour commencer.
Nettoyer le capteur de cliquetis et le déplacer vers une nouvelle position pour démarrer.	Le robot est hors sol. Déplacer et redémarrer le robot. Le capteur de cliquetis est sale. Nettoyer le capteur de cliquetis
Vérifier le capteur de collision et éliminer tout corps étranger.	Le capteur de collision est bloqué. Éliminer les corps étrangers en tapotant sur le capteur. En l'absence de corps étranger, déplacer et redémarrer le robot.

Nettoyer le capteur IR de bord.	Le capteur IR de bord peut être fixé par des corps étrangers. Il faut le nettoyer.
Le capteur TOF est défectueux. Vérifier et nettoyer le capteur.	Le capteur avant peut être obstrué par des corps étrangers. Il faut le nettoyer.
Nettoyer les surfaces de la partie avant du robot et du capteur inférieur pour éliminer la poussière.	Le capteur avant, le capteur IR de bord ou le capteur de cliquetis est poussiéreux. Il faut le nettoyer.
Le capteur de cliquetis tombe en panne. La nettoyer et la déplacer vers une nouvelle position pour commencer.	Le capteur de cliquetis peut être attaché à des corps étrangers ou à des salissures. La nettoyer et la déplacer vers une nouvelle position pour la démarrer.
Le radar laser est bloqué. Vérifier le radar laser	Le radar sur la tour supérieure est bloqué et le routage échoue. Éliminer le blocage.
Le bac à poussière n'a pas été nettoyé depuis longtemps. Il faut le nettoyer immédiatement.	Le bac à poussière est plein. Il faut le vider.
Mur virtuel ou zone interdite détecté(e). Déplacer le robot hors de cette zone.	Le robot se trouve sur un mur virtuel ou dans une zone interdite. Le déplacer hors de la zone.
L'appareil est obstrué. Retirer tout obstacle autour de l'appareil et réessayer. Replacer l'appareil sur la base.	Le robot est obstrué par un obstacle. Retirer tout obstacle. Le robot ne parvient pas à localiser la base. Le replacer manuellement sur la base.
Nouvel environnement détecté. Redémarrer la tâche de nettoyage.	Le robot se trouve dans un nouvel environnement et aucune carte n'a encore été créée. Redémarrer la tâche d'aspiration.



GARANTIE

Wilfa accorde une garantie de 5 ans sur ce produit à compter de la date d'achat. La garantie couvre les défauts de production ou les anomalies survenant durant la période de garantie. Le reçu d'achat sert de preuve à montrer au détaillant pour tout recours garantie.

La garantie n'est valide que sur les produits achetés et utilisés pour un usage domestique. Elle n'est pas valide en cas d'utilisation commerciale du produit. La garantie ne s'applique pas en cas de mauvaise utilisation du produit, de négligence, de non-respect des consignes de Wilfa, de modification ou de réparation non autorisée. La garantie ne s'applique pas non plus en cas d'usure naturelle du produit, de mauvaise utilisation, de défaut d'entretien ou d'utilisation d'une tension électrique non adaptée ou :

- En cas de surcharge du produit
- Aux pièces concernées par une usure naturelle
- Les pièces que vous devez vous attendre à remplacer régulièrement (par exemple, filtre, batterie, etc.)

Le manuel d'instructions est également disponible sur notre site Web : wilfa.com

CARACTÉRISTIQUES DU PRODUIT

Taille	350 × 97 mm
Puissance nominale	55 W
Tension nominale	14,8 V
Tension de charge	20 V
Capacité de la batterie :	
SL, AI, SL+	6 400 mAh

ASSISTANCE ET PIÈCES DÉTACHÉES

Pour toute demande d'assistance, consulter le site **wilfa.com** et la page de notre service clients/assistance. Cette page propose des réponses aux questions les plus fréquentes, des informations sur les pièces détachées, des conseils et astuces ainsi que toutes nos coordonnées.

RECYCLAGE



Ce marquage indique que la mise au rebut de ce produit avec les déchets ménagers est proscrite dans toute l'Union européenne. Pour éviter tout impact négatif sur l'environnement ou la santé humaine en raison d'une élimination inadéquate des déchets, recycler l'appareil de manière responsable, afin d'encourager la réutilisation durable des ressources matérielles. Pour retourner l'appareil usagé, recourir aux systèmes de retour et de collecte, ou contacter le revendeur auprès duquel le produit a été acheté. Celui-ci pourra reprendre le produit afin qu'il soit recyclé gratuitement, en respectant l'environnement.



BEYOND EXPECTATIONS

